



Low Profile Wrap (WNA)

LED Fixture



ARRA
Funding Compliant



OVERVIEW

Lumen Package (lm)	4,000 - 13,000
Wattage Range (W)	33 - 89
Color Temperatures (K)	3500 - 5000

QUICK LINKS

FEATURES & SPECIFICATIONS

Construction

- Housing constructed of code gauge die formed cold rolled steel. Wire way cover snaps in for easy removal. End plates riveted to housing. Equipped with knockout for nipple insertion.
- Available in nominal 10" and 14" widths
- Economical low profile design
- Wide, even light distribution
- Projected life of at least 60,000 hours. Contact factory for TM-21 detail
- All reflective surfaces are finished with a high reflectance, lighting fixture white polyester powder.

Optical System

- Use of closely-spaced medium-power, high-brightness chips minimizes pixelation and provides uniform lens luminance. Available in Cool White (5000K), Neutral White (4000K) and Warm White (3500K) color temperatures. CRI \geq 80 (CW $>$ 70). LM-80 reports available.
- Frosted, impact-resistant acrylic, hingeable from either side. Exterior surface of lens bottom embossed with prisms, sides embossed with internal prisms for low-brightness illumination.

Electrical

- Universal voltage (120-277 Vac) input, 50/60 Hz.
- Power factor (PF): $>$ 0.9
- Total harmonic distortion (THD): $<$ 20%

- In-rush current: $<$ 15 Amps.
- High-performance isolated driver features over-voltage, over-current and shortcircuit (with auto-recovery) protection. Driver module is sealed to IP66 protection levels, with a Class A sound rating. 0-10V dimming standard.

Warranty

- LSI luminaires carry a 5-year limited warranty. Refer to <https://www.lsicorp.com/resources/terms-conditions-warranty/> for more information.

Listings

- UL Listed to U.S. and Canadian safety standards.
- Suitable for damp locations.
- IBEW Union made in the U.S.A.



Low Profile Wrap (WNA) LED Fixture

Type : _____

 Have questions? Call us at (800) 436-7800

ORDERING GUIDE

TYPICAL ORDER EXAMPLE: WNA10 LED SS CW UE EM					
Prefix	Light Source	Driver	Color Temperature	Voltage	Options
WNA10 - Narrow Body WNA14 - Wide Body	LED	SS - Super Saver HO - High Output VHO - Very High Output	WW - Warm White (3000K) NW - Neutral White (4000K) CW - Cool White (5000K)	UE - Universal Voltage (120-277VAC) 347 - High Voltage (347-480V)	EM - Emergency Pack OCS - Integral Occupancy Sensor SD50 - Step Dimming to 50%



Need more information?
[Click here for our glossary.](#)

Have additional questions?
 Call us at (800) 436-7800



ACCESSORY ORDERING INFORMATION (Accessories are field installed)

Part Number	Description
PMK	Pendant Mount Kit (3/8" IP Stems)

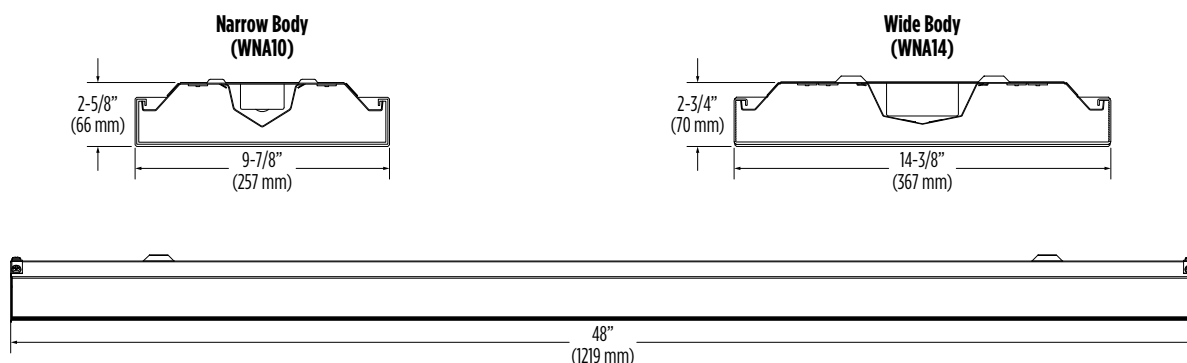
CONTROLS

Part Number	Order Number	Description
755249	ALBC 5A	5A Circuit Controller
755248	ALBC 5A OS1	5A Circuit Controller w/ Ceiling-mount Motion & Daylight Harvesting Sensor 9ft. Mounting Height
755245	ALBC 5A OS2	5A Circuit Controller w/ Ceiling-mount Motion & Daylight Harvesting Sensor 40ft. Mounting Height
760580	ALBCM DHS	AirLink Blue Daylight Harvesting Sensor
760380	ALBCM	AirLink Blue Ceiling Mount Motion Sensor
754823	ALBWS E02B WH	AirLink Blue Two Button Kinetic Switch
754824	ALBWS E04B WH	AirLink Blue Four Button Kinetic Switch
741967	ALBTK	AirLink Blue Time Keeper

PERFORMANCE

Delivered Lumens ¹												
Fixture Package	SS - Super Saver			HO - High Output			VHO - Very High Output			Wattage		
	WW	NW	CW	WW	NW	CW	WW	NW	CW	SS	HO	VHO
WNA10	4,475	4,080	-	6,745	6,340	-	-	-	-	33	55	-
WNA14	-	-	-	6,785	6,680	7,560	10,575	10,020	12,590	-	56	89

PRODUCT DIMENSIONS



¹ LED Chips are frequently updated therefore values may increase.