

LPASC INSTALLATION AND ASSEMBLY INSTRUCTIONS



SMARTVISION®

CAUTION: Risk of shock. Disconnect power before installing or servicing.

WARNING: Before proceeding, read all instructions carefully to insure proper and safe installation.

WARNING: Risk of electrical shock. High temperatures inside luminaire. Make certain line voltage corresponds with ballast/driver primary voltage (see ballast/driver label).

WARNING: All wiring to be performed per National Electrical Code and local code by a qualified electrician.

IMPORTANT: Not every unit is identical. Placement of proper luminaire is important. Refer to layout drawing to verify location identification, product location, and feed points.

IMPORTANT: Do not electrically connect to live wiring.

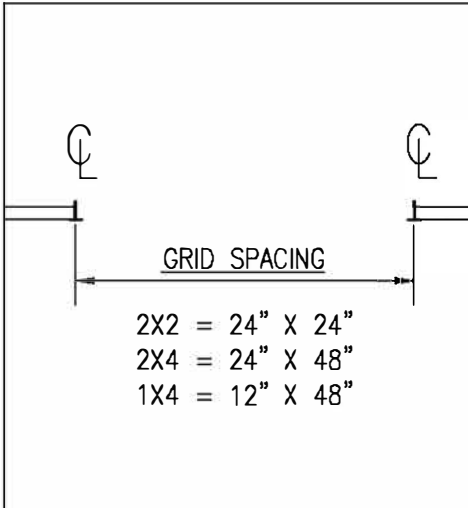
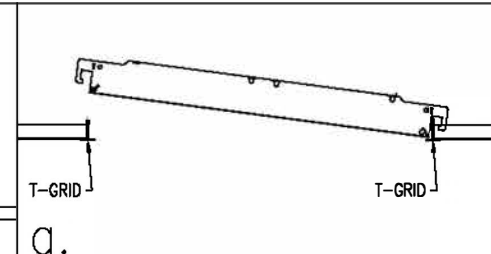
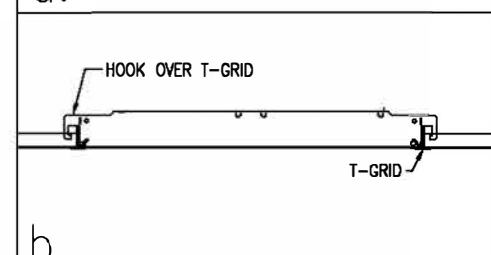
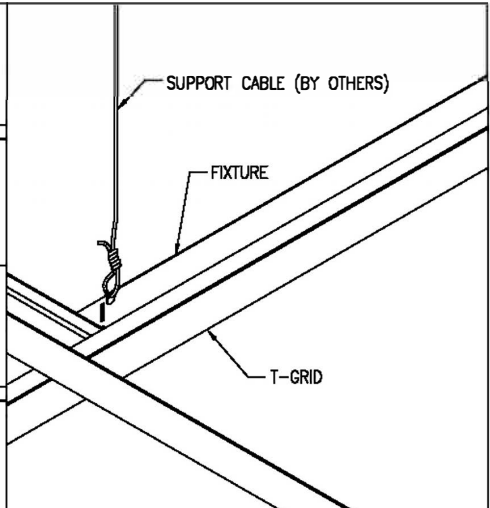


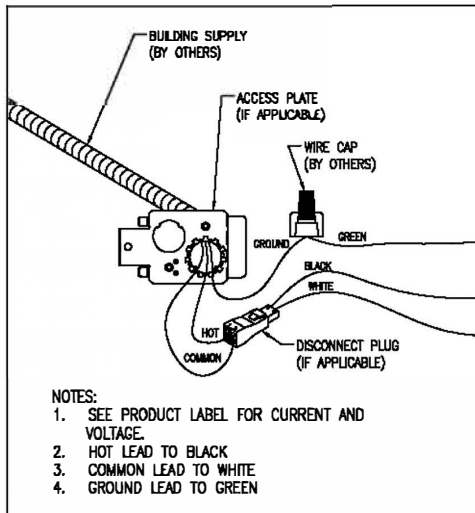
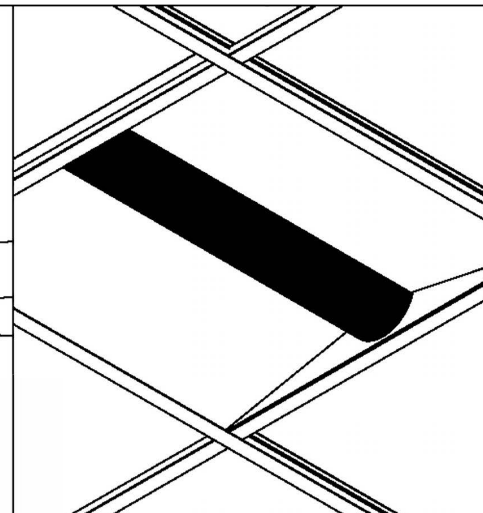
Installation Questions?
Call LSI Field Service Department at:
1-800-436-7800 Ext. 3300 Fax 877-861-1368

LPASC INSTALLATION AND ASSEMBLY INSTRUCTIONS



SMARTVISION®

 <p style="text-align: center;">GRID SPACING</p> <p>2X2 = 24" X 24" 2X4 = 24" X 48" 1X4 = 12" X 48"</p>	 <p style="text-align: center;">a.</p>  <p style="text-align: center;">b.</p>	 <p style="text-align: center;">3.) THE HOUSING IS PROVIDED WITH (4) HOLES FOR INDEPENDENT FIXTURE SUPPORT WHERE A.H.J. CODE IS REQUIRED. SECURE FIXTURE CORNERS WITH SUPPORT CABLES AS SHOWN.</p>
<p>1.) SET YOUR GRID OPENING TO DIMENSIONS AS SHOWN ABOVE. (CEILING GRID TO BE INSTALLED PER AUTHORITY HAVING JURISDICTION (A.H.J.) CODE)</p>	<p>2.) SET FIXTURE INTO CEILING GRID.</p>	<p>3.) THE HOUSING IS PROVIDED WITH (4) HOLES FOR INDEPENDENT FIXTURE SUPPORT WHERE A.H.J. CODE IS REQUIRED. SECURE FIXTURE CORNERS WITH SUPPORT CABLES AS SHOWN.</p>

 <p>NOTES:</p> <ol style="list-style-type: none"> 1. SEE PRODUCT LABEL FOR CURRENT AND VOLTAGE. 2. HOT LEAD TO BLACK 3. COMMON LEAD TO WHITE 4. GROUND LEAD TO GREEN 	
<p>4.) SEE WIRE DIAGRAM FOR WIRING CONNECTIONS.</p>	<p>6.) FIXTURE IS NOW INSTALLED.</p>



Installation Questions?
 Call LSI Field Service Department at:
 1-800-436-7800 Ext. 3300 Fax 877-861-1368