



Zone Sports Flood (ZNF)

Outdoor Sports Flood Light



IN THE USA



FC CE IP66 IK08



OVERVIEW

Lumen Package (lm)	75,000 -110,000
Wattage Range (W)	433 - 783
Efficacy Range (LPW)	137 - 170
Fixture Weight lbs (kg)	36.4 (16.5)
EPA	2.8

QUICK LINKS

FEATURES & SPECIFICATIONS

Construction

- Rugged die-cast aluminum housing.
- Driver is separated from light engines increasing driver and LED life
- Die-cast electrical compartment can be integral or remote to fixture
- Mounting Brackets are 12 ga. formed steel
- Fixtures are finished with polyester powder coat finishing process to withstand extreme weather changes without cracking or peeling
- 9 ft. power cord included with the fixture
- Shipping weight (in carton) - 40.8 lbs

Optical System

- State-of-the-Art sports flood optics available in 5 unique NEMA flood distributions
- Optional glare shield visor is formed aluminum to reduce high angle glare
- Available in 5000K CCT
- Minimum CRI of 70

Electrical

- 0-10V dimming (10% - 100%) standard.
- Universal Voltage (120-277 VAC) Input 50/60 Hz or High Voltage (347-480 VAC).
- Operating temperature: -40°C to +45°C (-40°F to +113°F).
- L80 Calculated Life: >100K Hours

- Total harmonic distortion: <20%
- High-performance driver features overvoltage, under-voltage, short-circuit and over temperature protection.
- Power factor: >.90
- Input power stays constant over life.
- Field replaceable 20kV surge protection device meets a minimum Category C Low operation (per ANSI/IEEE C62.41.2).
- High-efficacy LEDs mounted to metal-core circuit board to maximize heat dissipation for long life
- Driver is fully encased in potting material for moisture resistance and complies with FCC standards.

Controls

- LSI's AirLink wireless control system options allow for programming and group control while reducing energy and maintenance costs and optimizing light quality (see controls section for more details).
- Dynamic Behaviors allow you to create and save scenes for events like scoring, player introductions, halftime shows and other special events.

Installation

- Heavy duty yoke mounting to standard sports bracket with 3/4" bolt
- Integral driver units come with rear handle design for ease of installation and carrying

- Stepless horizontal and vertical adjustment for precise aiming. Optional laser sight for enhanced aiming accuracy
- Optional adjustable slip fitter for mounting to 2 3/8" tenons

Warranty

- LSI luminaires carry a 5-year limited warranty. Refer to <https://www.lsicorp.com/resources/terms-conditions-warranty/> for more information.

Listings

- Listed to UL 1598 and UL 8750
- Suitable for wet locations
- IP66 rated Luminaire per IEC 60598-1
- Meets Buy American Act requirements
- DLC Pending



Zone Sports Flood (ZNF) Outdoor Sports Flood Light

Type : _____

 **Have questions?** Call us at (800) 436-7800

ORDERING GUIDE

TYPICAL ORDER EXAMPLE: ZNF 110L MF UNV 50 BLK						
Prefix	Output	Distributions	Voltage	Color Temperature	Finish	Options
ZNF - Zone Sports Flood	75L - 75,000 lumens 90L - 90,000 lumens 110L - 110,000 lumens ² Custom Lumen Outputs Available ¹	VNF - 2x2 Very Narrow Flood NF - 3x3 Narrow Flood MF - 4x4 Medium Flood MWF - 5x5 Medium Wide Flood WF - 6x6 Wide Flood	UNV - Universal Voltage (120-277V) HV - High Voltage (347-480V)	50 - 5000K	BLK - Black	CR7P - 7 Pin Control Receptacle ANSI C136.411 ALSDC - Airlink Integral Controller ² ALSDC DB - Airlink Synapse Integral Controller and Dynamic Behaviors Drivers ² RD - Remote Drivers ³ NM - No Mounting (for use with tenon/slip fitter mounting accessories)



Need more information?
Click here for our glossary

Have additional questions?
Call us at (800) 436-7800



ACCESSORY ORDERING INFORMATION

Part Number	Description
831028	Laser Sight
831029	Glare Shield Visor
831030	Tenon Top Adapter / Slip Fitter (Specify No Mounting)
79269003	ZNF 2/3 Light Wood and Steel Pole Bracket
79269005	ZNF 4/5 Light Wood and Steel Pole Bracket
137105BLK	2 Light Tenon Top Bracket (Black Finish)
137107BLK	3 Light Tenon Top Bracket (Black Finish)
137108BLK	4 Light Tenon Top Bracket (Black Finish)

Laser Sight



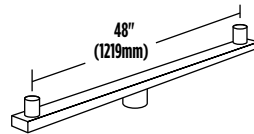
Tenon Top Adapter / Slip Fitter



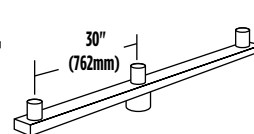
Glare Shield Visor



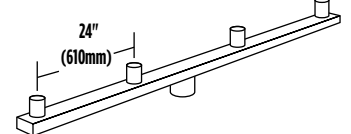
2 Light Tenon Top Bracket



3 Light Tenon Top Bracket



4 Light Tenon Top Bracket



CONTROLS ACCESSORIES ORDERING INFORMATION⁴

Part Number	Description
122514	Twist Lock Photocell (120V) for use with CR7P
122515	Twist Lock Photocell (208-277) for use with CR7P
122516	Twist Lock Photocell (347V) for use with CR7P
1225180	Twist Lock Photocell (480V) for use with CR7P
661409	AirLink 5 Pin Twist Lock Controller
661410	AirLink 7 Pin Twist Lock Controller
149328	Shorting Cap for use with CR7P
685209	ALSSM CBS WIFI VER CEL - AirLink Synapse Central Base Station
743160	ALS RMT ACCESS - AirLink Synapse Remote Access
771597	ALS DB Software - AirLink Synapse Dynamic Behavior Software

2/3 Light Crossarm Bracket



4/5 Light Crossarm Bracket



AirLink Synapse Central Base Station



Extension Cord



REMOTE DRIVER ACCESSORIES ORDERING INFORMATION³

Part Number	Description
831031	35' Extension Cord
831032	60' Extension Cord

1. Not available with remote driver option. Control device or shorting cap must be ordered separately. See accessory ordering information.


2. Airlink Synapse central base station, remote access subscription and/or dynamic behavior software must be ordered separately.

3. Remote driver/back housing ships separately from front housing and yoke mount. Extension cord and/or remote driver/distribution box must be ordered separately. Please consult factory for lead time and availability.

4. Accessories are shipped separately and field installed.

Zone Sports Flood (ZNF) Outdoor Sports Flood Light

Type: _____

 Have questions? Call us at (800) 436-7800

PERFORMANCE

DELIVERED LUMENS *							
Lumen Package	Distribution	NEMA	Field Angle H x V	5000K CCT			Wattage
				Delivered Lumens	Efficacy	Max Beam Candlepower	
75L	VNF	2x2	28x28	73,693	170	778,954	433
	VNF-GS	2x2	28x27	71,023	164	793,224	
	NF	4x4	40x40	68,526	149	375,488	
	NF-GS	4x4	40x49	65,784	158	375,678	
	MF	4x4	56x56	77,401	146	204,067	469
	MF-GS	4x4	55x53	71,716	165	207,123	
	MWF	5x5	87x87	74,180	153	91,424	
	MWF-GS	5x5	84x81	68,377	158	92,470	
	WF	6 x 6	118 x 118	72,855	146	56,178	
	WF-GS	6 x 6	109 x 105	65,184	155	56,722	
90L	VNF	2x2	28x28	87,215	139	930,394	532
	VNF-GS	2x2	28x27	84,055	158	938,772	
	NF	4x4	40x40	81,100	152	444,387	
	NF-GS	4x4	40x49	77,855	146	444,613	
	MF	4x4	56x56	92,329	140	244,990	584
	MF-GS	4x4	55x53	85,547	158	245,189	
	MWF	5x5	87x87	88,487	148	109,056	
	MWF-GS	5x5	84x81	81,517	151	110,240	
	WF	6 x 6	118 x 118	86,906	139	67,013	
	WF-GS	6x6	109 x 105	77,756	149	67,662	
110L	VNF	2x2	28x28	111,765	133	1,200,380	752
	VNF-GS	2x2	28x27	107,715	153	1,203,020	
	NF	4x4	40x40	103,622	147	569,478	
	NF-GS	4x4	40x49	99,770	130	569,277	
	MF	4x4	56x56	115,561	148	308,603	783
	MF-GS	4x4	55x53	107,073	142	308,792	
	MWF	5x5	87x87	110,752	136	136,358	
	MWF-GS	5x5	84x81	102,029	148	137,625	
	WF	6 x 6	118 x 118	108,774	137	83,822	
	WF-GS	6 x 6	109 x 105	97,321	124	84,687	

*LEDs are frequently updated therefore values are nominal

ELECTRICAL DATA*							
Lumen Level	Watts	120V	208V	240V	277V	347V	480V
75L	450	3.75	2.16	1.88	1.62	1.30	0.94
90	550	4.58	2.64	2.29	1.99	1.59	1.15
110L	750	6.25	3.61	3.13	2.71	2.16	1.56

*Electrical data at 25°C (77°F). Actual wattage may differ by +/-10%.

RECOMMENDED LUMEN MAINTENANCE (MF, MWF, WF) ¹					
Ambient Temp C	Initial ²	25K hr ²	50K hr ²	75K hr ³	100K hr ³
0-25 C	100%	100%	99%	98%	98%

RECOMMENDED LUMEN MAINTENANCE (VNF, NF) ¹					
Ambient Temp C	Initial ²	25K hr ²	50K hr ²	75K hr ³	100K hr ³
0-25 C	100%	95%	90%	85%	80%

- Lumen maintenance values at 25C are calculated per TM-Z1 based on LM-80 and in-situ testing.
- In accordance with IESNA TM-Z1-11, projected values represent interpolated value based on time durations that are within six times the IESNA LM-80-08 total test duration for the device under testing.
- In accordance with IESNA TM-Z1-11, calculated values represent time durations that exceed six times the IESNA LM-80-08 total test duration for the device under testing.

Zone Sports Flood (ZNF) Outdoor Sports Flood Light

Type: _____

 Have questions? Call us at (800) 436-7800

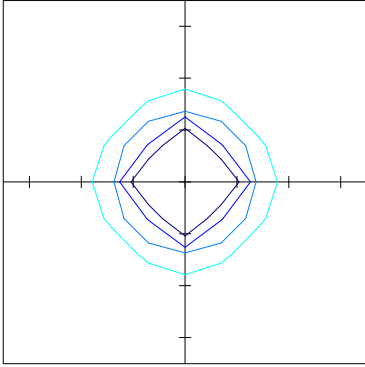
PHOTOMETRICS

Luminaire photometry has been conducted by a NVLAP accredited testing laboratory in accordance with IESNA LM-79-08. As specified by IESNA LM-79-08 the entire luminaire is tested as the source resulting in a luminaire efficiency of 100%.

See the individual product page on <https://www.lsicorp.com/> for detailed photometric data.

ZNF 110L VNF 50

ZONE Sports Flood, 110,000lm, Very Narrow Flood Distribution



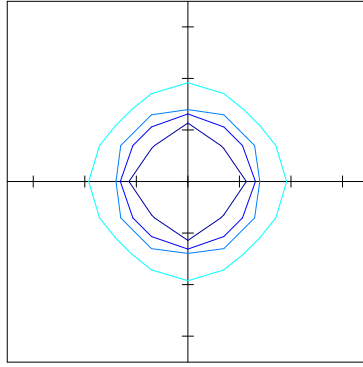
60' Mounting Height / 20' Grid Spacing

20 FC 10 FC 5 FC 2 FC

NEMA Type	2x2
Max Candela	1,200,380
Max Candela Angle	0H x 0H
Beam Angle	14.3° x 14.5°
Field Angle	27.6° x 27.6°

ZNF 110L NF 50

ZONE Sports Flood, 110,000lm, Narrow Flood Distribution



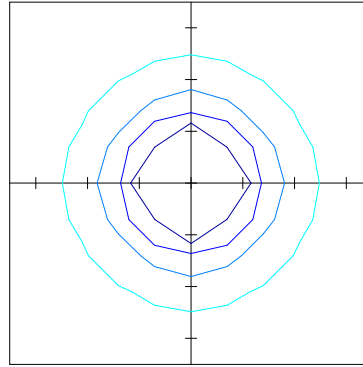
60' Mounting Height / 20' Grid Spacing

20 FC 10 FC 5 FC 2 FC

NEMA Type	3x3
Max Candela	569,478
Max Candela Angle	0H x 0H
Beam Angle	20.5° x 20.6°
Field Angle	39.8° x 39.9°

ZNF 110L MF 50

ZONE Sports Flood, 110,000lm, Medium Flood Distribution



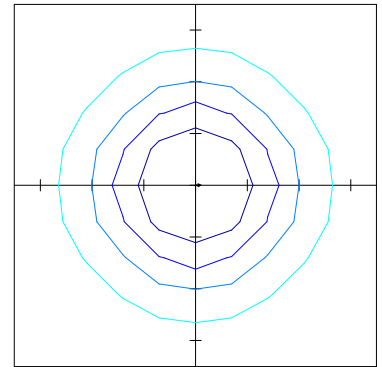
60' Mounting Height / 20' Grid Spacing

20 FC 10 FC 5 FC 2 FC

NEMA Type	4x4
Max Candela	308,603
Max Candela Angle	-1H x 0H
Beam Angle	27.6° x 27.7°
Field Angle	55.9° x 56.0°

ZNF 110L MWF 50

ZONE Sports Flood, 110,000lm, Medium Wide Flood Distribution



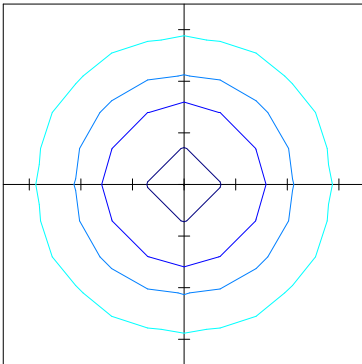
60' Mounting Height / 20' Grid Spacing

20 FC 10 FC 5 FC 2 FC

NEMA Type	5x5
Max Candela	136,538
Max Candela Angle	-1H x 0H
Beam Angle	47.6° x 47.5°
Field Angle	87.0° x 86.7°

ZNF 110L WF 50

ZONE Sports Flood, 110,000lm, Wide Flood Distribution



60' Mounting Height / 20' Grid Spacing

20 FC 10 FC 5 FC 2 FC

NEMA Type	6x6
Max Candela	83,822
Max Candela Angle	-0H x -3V
Beam Angle	62.6° x 62.8°
Field Angle	117.6° x 117.6°

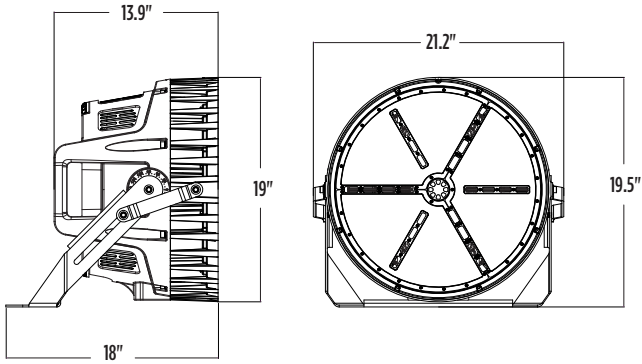
Zone Sports Flood (ZNF) Outdoor Sports Flood Light

Type: _____

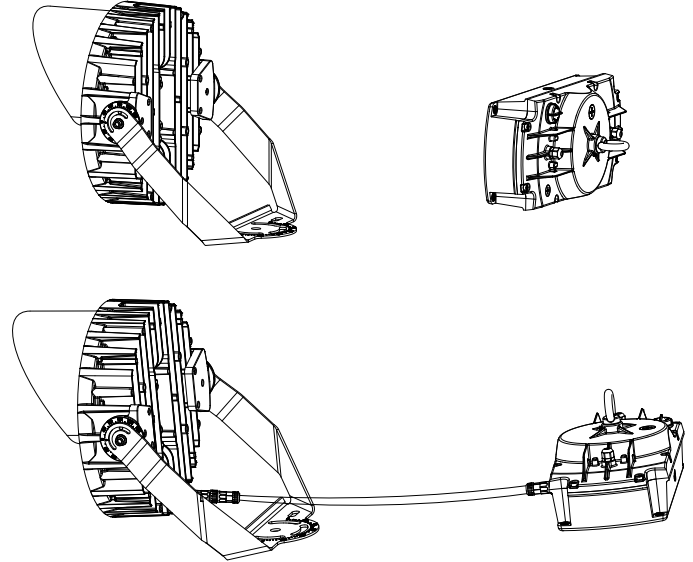
 Have questions? Call us at (800) 436-7800

PRODUCT DIMENSIONS

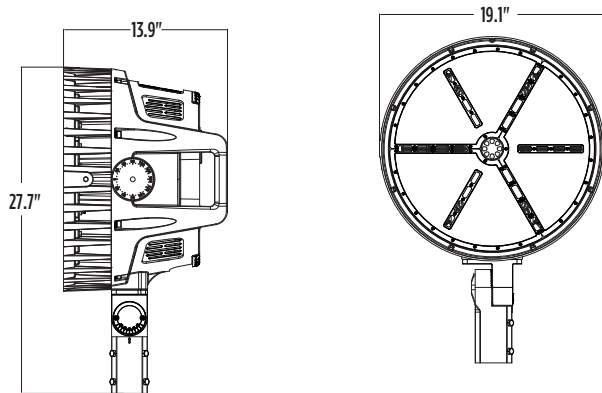
INTEGRAL DRIVER



REMOTE DRIVER



SLIP FITTER MOUNT



ADDITIONAL INFORMATION

INTEGRAL DRIVER



REMOTE DRIVER



Central Base Station (ALS CBS WIFI VER CELL)



Embedded Light Controller and Dynamic Behaviors Driver *(ALSC) ** (ALSC DB)



Wireless Digital Lighting Controller (Factory installed in luminaire)

The Central Base Station can be installed anywhere you need wireless push-button lighting control, such as municipal ballparks, hockey arenas, basketball facilities, and other multi-use complexes. The heart of the Central Base Station is the AirLink Synapse Site Manager, contained in the NEMA 4X enclosure. A bank of 5 buttons enables manual access to the site lighting controls. The Central Base Station makes it easy for electricians to quickly install the site controller and enables quick and simple access to a switch station that can be programmed to meet the needs of the end-user.

The ALSC is a California Title 24 compliant lighting controller that provides real-time light monitoring and control with utility-grade power monitoring. It includes a 24V sensor input and power supply to connect up to two (2) sensors into the outdoor AirLink wireless lighting system.