



Catalog # : _____ Project : _____ Type : _____

Prepared By : _____ Date : _____

Wooden and Steel Pole Bracket (WPB)

Sports Flood Bracket



OVERVIEW

EPA	1.0-9.1
Width	36" - 156"

FEATURES & SPECIFICATIONS

- Steel bracket designed for wood and steel pole retrofits.
- Minimum 4" OD Pole.
- Able to hold either 2, 3, 4, 5, or 6 ZNF's.
- Five-Year Warranty.

COMPATIBLE FIXTURES



ZNF

TYPICAL ORDER EXAMPLE: WPB 3 GLV

Prefix	Number of Fixtures	Finish
WPB - Wood and Steel Pole Bracket	2 3 4 5 6	GLV - Galvanized Steel ¹



Need more information?
[Click here for our glossary.](#)

Have additional questions?
 Call us at (800) 436-7800



Part Number	Description
79269002	ZNF 2 Light Wood and Steel Pole Bracket
79269003	ZNF 3 Light Wood and Steel Pole Bracket
79269004	ZNF 4 Light Wood and Steel Pole Bracket
79269005	ZNF 5 Light Wood and Steel Pole Bracket
79269006	ZNF 6 Light Wood and Steel Pole Bracket

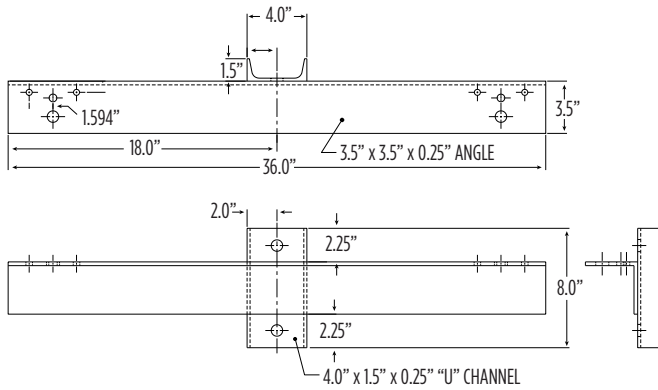
Wooden and Steel Pole Bracket (WPB)

Type: _____

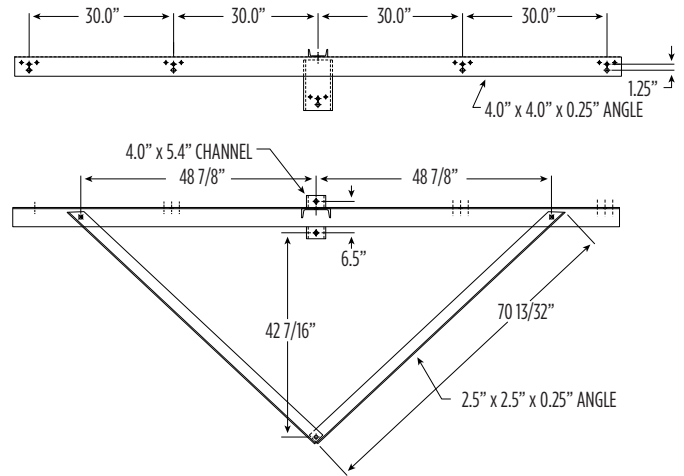
 Have questions? Call us at (800) 436-7800

PRODUCT DIMENSIONS

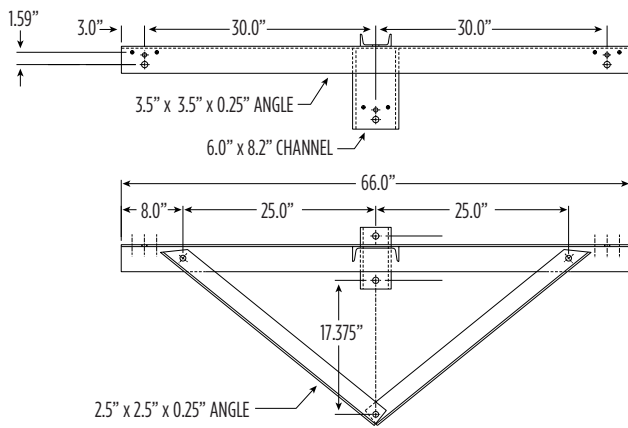
2 Light Bracket



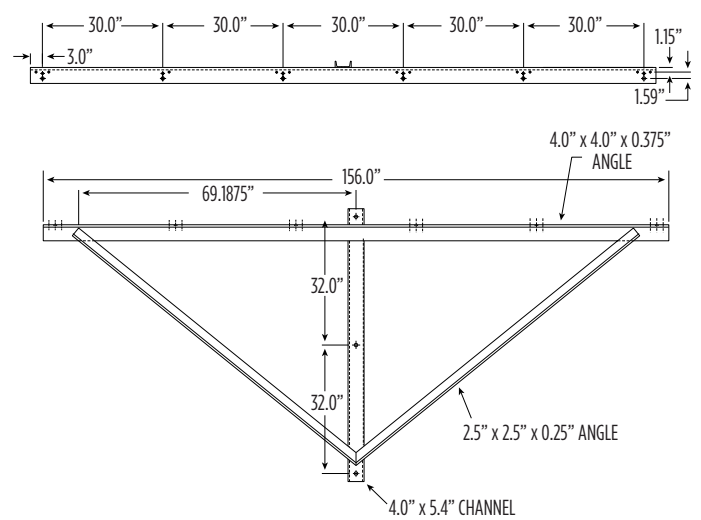
5 Light Bracket



3 Light Bracket



6 Light Bracket



4 Light Bracket

