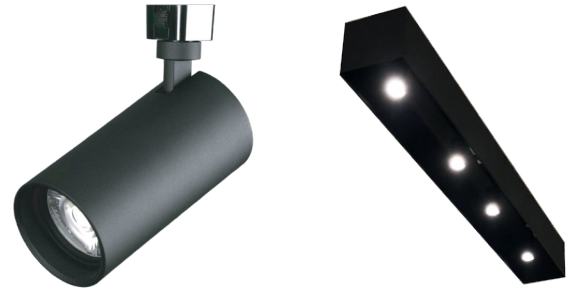




Catalog # : _____ Project : _____

Prepared By : _____ Date : _____

TRKS Track Box System



QUICK LINKS

[Ordering Guide](#)[Performance](#)[Photometrics](#)[Dimensions](#)

FEATURES & SPECIFICATIONS

Construction

- Die-cast aluminum LED housing
- Die-cast aluminum swivel joint
- Polycarbonate adapter with copper conductor

Optical System

- LSI track lights utilize integrated chip on board modules
- Minimum CRI of 80
- 27 degree beam angle

Electrical

- High-performance driver features over-voltage, undervoltage, short-circuit and over temperature protection
- Leading-edge and trailing-edge dimming down to 2%
- 120V AC Input 50/60 Hz
- L70 Calculated Life: >61,000 Hours
- Total harmonic distortion: <20%
- Power factor: >0.9
- Input current 0.20A / 0.1A
- Surge rating: 2.5kV minimum

Installation

- Quick connect harness to attach fixtures in continuous rows
- Alignment guides ensure proper alignment between tracks

Warranty

- Complete warranty terms located at: <https://www.lsi-industries.com/resources/terms-and-warranty.aspx>

Listings

- cULus listed to applicable Canadian and American safety standards
- Dry only locations



ORDERING GUIDE

[Back to Quick Links](#)

Track Box System

Heads, track, connectors included in kit

TYPICAL ORDER EXAMPLE: **TRKS 8 6 T B**

Prefix	Length	# of Heads	Hanging	Color	Options	Design
TRKS - Track Box System	4 - 4ft 8 - 8ft	4 - 4 track heads 6 - 6 track heads	T - Toggle Connector (TCH)	B - Black	8W - 8" width 11W - 11 1/4" width 12W - 12" width	INF1 NIS1 KIA1

ACCESSORIES ORDERING INFORMATION

Part Number	Order Number	Description
702970	STRB30	Additional Track Head
84201	TR 2 4 B	Track 4-foot Black

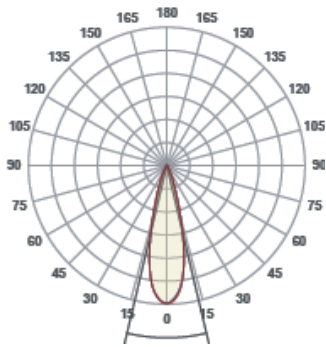
PERFORMANCE

[Back to Quick Links](#)

Prefix	Lumen Package (lm)	Efficacy (LPW)	Color Temperature (K)	Wattage (W)
TRKS 4 4	8,400	100	4000	84
TRKS 8 6	12,600	100	4000	126

PHOTOMETRICS

[Back to Quick Links](#)



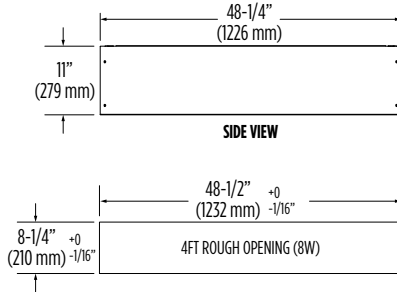
Beam Angle: 27°



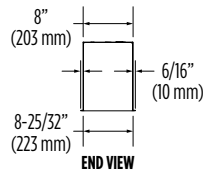
PRODUCT DIMENSIONS

[Back to Quick Links](#)

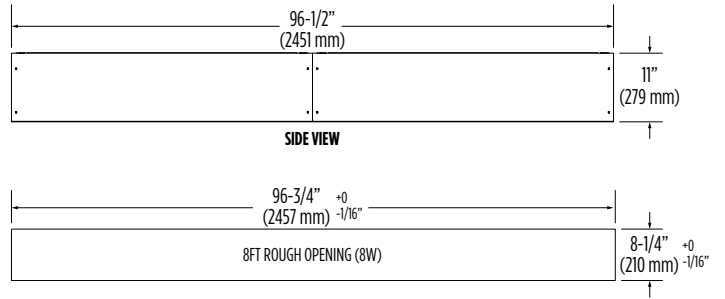
TRKS 4ft, 8W
(TRKS 4 8W)



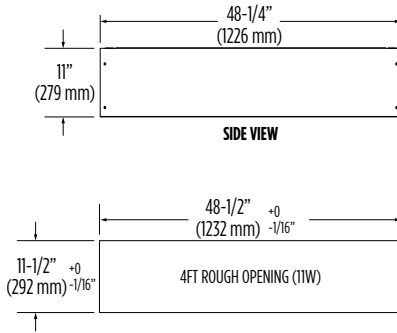
TRKS Track Box System, 8" Width (8W)



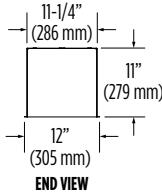
TRKS 8ft, 8W
(TRKS 8 8W)



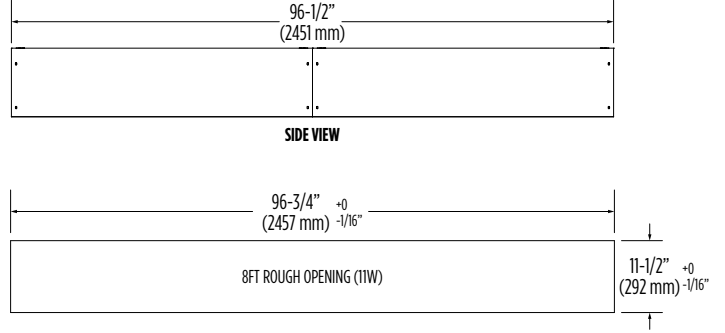
TRKS 4ft, 11W
(TRKS 4 11W)



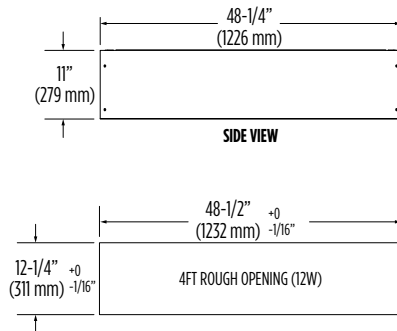
TRKS Track Box System, 11" Width (11W)



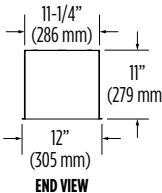
TRKS 8ft, 11W
(TRKS 8 11W)



TRKS 4ft, 12W
(TRKS 4 12W)



TRKS Track Box System, 12" Width (12W)



TRKS 8ft, 12W
(TRKS 8 12W)

