



# Steel Round Straight Poles (RP/RPU)

## New Build and Retrofit



### OVERVIEW

Height (ft)	8 - 30
Thickness (Ga)	7, 10, 11
Diameter (in)	4 or 5

### QUICK LINKS

## FEATURES & SPECIFICATIONS

### Pole Shaft

- Steel round poles are 4" or 5" in diameter.
- Pole shaft is electro-welded ASTM-A500 Grade C Steel Tubing with a minimum yield strength of 46,000 psi.
- On Tenon Mount steel poles, tenon is high-strength pipe. Tenon N option is 2-3/8" O.D. x 4-3/4" tall. Tenon 4N option is 4" O.D. x 4-7/8" tall.

### Hand-Hole

- Standard hand-hole location is 12" above pole base.
- Poles 18' and above have a 3x6 reinforced hand hole.

### Base

- Pole base is ASTM-A36 hot-rolled steel plate with a minimum yield strength of 36,000 psi.
- Two-piece square base cover is optional. Decorative base cover is also available.

### Anchor Bolts

- Poles are furnished with anchor bolts featuring zinc-plated double nuts and washers. Galvanized anchor bolts are optional.
- Anchor Bolts conform to ASTM F 1554-07a Grade 55 with a minimum yield strength of 55,000 PSI.

### Ground Lug

- Ground lug is standard.

### Duplex Receptacle

- Weatherproof duplex receptacle is optional.

### Ground Fault Circuit Interrupter

- Self-testing Ground fault circuit interrupter is optional.

### Finishes

- Every pole is provided with the DuraGrip Protection System and a 5-year limited warranty
- When the top-of-the line DuraGrip Plus Protection System is selected, in addition to the DuraGrip Protection System, a non-porous, automotive-grade corrosion coating is applied to the lower portion of the pole interior sealing and further protecting it from corrosion. This option extends the limited warranty to 7 years.

### Determining The Luminaire/Pole Combination For Your Application

- Select luminaire from luminaire ordering information.
- Select bracket configuration if required
- Determine EPA value from luminaire/bracket EPA chart
- Select Pole Height
- Select MPH to match wind speed in the application area (See windspeed maps).
- Confirm pole EPA equal to or exceeding value of luminaire/bracket EPA
- Consult factory for special wind load requirements and banner brackets.

### Pole Vibration Damper

- A pole vibration damper is recommended in open terrain areas of the country where low steady state winds are common.
- Non-tapered poles and lightly loaded poles are more susceptible to destructive vibration if a damper is not installed.

### Warranty

- LSI luminaires, poles, and finishes carry a 5-year limited warranty. Refer to <https://www.lsicorp.com/resources/terms-conditions-warranty/> for more information.

### Listings

- UL Listed
- BAA/TAA Compliant

# Steel Round Straight Poles (RP/RPU) New Build and Retrofit

Type: \_\_\_\_\_

 **Have questions?** Call us at (800) 436-7800

## ORDERING GUIDE

TYPICAL ORDER EXAMPLE: 4RPU B3 S07G 24 S PLP DGP						
Prefix	Mounting Method	Material	Height <sup>5</sup>	Mounting Configuration	Finish	Options
<b>4RP<sup>1</sup></b> - 4" Diameter Round Straight Pole (New Build)	<b>Bolt-On Mount<sup>2</sup></b> - See Pole Selection Guide for Patterns and Fixture Matches <b>B5</b> - 5" Traditional Drilling Pattern <b>B3</b> - 3" Reduced Drilling Pattern <b>B2</b> - 2" Reduced Drilling Pattern	<b>S07G</b> - 07 Ga. Steel (5RP/5RPU Only) <b>S10G</b> - 10 Ga. Steel (4RP/4RPU Only) <b>S11G</b> - 11 Ga. Steel (5RP/5RPU Only)	<b>8'</b> <b>10'</b> <b>12'</b> <b>14'</b> <b>15'</b> <b>16'</b> <b>17'</b> <b>17' 6"</b> <b>18'</b> <b>20'</b> <b>22'</b> <b>22' 6"</b> <b>24'</b> <b>25'</b> <b>26'</b> <b>27'</b> <b>28'</b> <b>30'</b>	<b>S</b> - Single/Parallel <b>D180</b> - Double <b>D90</b> - Double <b>DN90</b> - Double <b>T90</b> - Triple <b>TN120</b> - Triple <b>Q90</b> - Quad <b>QN90</b> - Quad	<b>BRZ</b> - Bronze <b>BLK</b> - Black <b>PLP</b> - Platinum Plus <b>WHT</b> - White <b>SVG</b> - Satin Verde Green <b>GPT</b> - Graphite <b>MSV</b> - Metallic Silver <b>BZA</b> - Alternate Bronze <b>GMG</b> - Gun Metal Gray	<b>GA</b> - Galvanized Anchor Bolts <b>SF<sup>7</sup></b> - Single Flood <b>DF<sup>7</sup></b> - Double Flood <b>DGP</b> - DuraGrip® Plus <b>LAB</b> - Less Anchor Bolts <b>CRXX<sup>8</sup></b> - Conduit Raceway
<b>5RP</b> - 5" Diameter Round Straight Pole (New Build)						
<b>4RPU<sup>1</sup></b> - 4" Diameter Round Straight Pole (Retrofit)						
<b>5RPU</b> - 5" Diameter Round Straight Pole (Retrofit)						
	<b>T</b> - Tenon Mount - See Pole Selection Guide for Tenon and Fixture/Bracket Matches			<b>N<sup>6</sup></b> - Tenon Mount (Standard Tenon size is 2-3/8" O.D.) <b>4N<sup>7</sup></b> - Tenon Mount (5RPT only. For 4" poles only, use 4RPI) <b>4N-6</b> - Tenon Mount (5RPT only. For 4" poles use 4RPI)		
		<b>I<sup>2</sup></b> - No Mounting Holes - Use with: BKA-IFM4 <sup>3</sup> - Flush Mount Adapter <sup>2</sup> Greenlee Lifestyle CH Mounting Style Enterprise, Lexington, Constitution PT Single Mounting <sup>4</sup>		<b>Blank</b> - Use with I for Mounting Method		



**Need more information?**  
[Click here for our glossary.](#)

**Have additional questions?**  
Call us at (800) 436-7800



## ACCESSORY ORDERING INFORMATION

Part Number	Description
<b>158450CLR</b>	4" SRBC Square Base Cover
<b>158451CLR</b>	5" SRBC Square Base Cover
<b>450563CLR</b>	5" SRBCU 5 Inch Universal Baseplate Square Cover
<b>483859CLR</b>	4" / 5" GBC Decorative Base Cover
<b>122557CLR</b>	ER2 - Weatherproof Duplex Receptacle (Poles below 18')
<b>122566CLR</b>	ER2 - Weatherproof Duplex Receptacle for Reinforced Hand-hole (Poles 18' and above)
<b>122558CLR</b>	GFI - Ground Fault Circuit Interrupter (Poles below 18')
<b>122567CLR</b>	GFI - Ground Fault Circuit Interrupter for Reinforced Hand-hole (Poles 18' and above)
<b>132336</b>	MH5 - Mounting Hole Plugs for use with 5" traditional drill pattern (3 set of 3 plugs)
<b>681126</b>	MH3 - Mounting Hole Plugs for use with 3" reduced drill pattern (3 sets of 3 plugs)
<b>725841</b>	MH2 - Mounting Hole Plugs for use with 2" reduced drill pattern (3 sets of 3 plugs)
<b>Consult Factory for EPA Calculations</b>	BB - Banner Brackets

## ANCHOR BOLT KIT ORDERING INFORMATION

Part Number	Description
<b>AB KIT 122582</b>	4RP S10G Anchor Bolts (Steel Plated)
<b>AB KIT 122607</b>	4RP S10G Anchor Bolts (Galvanized)
<b>AB KIT 135460</b>	5RP S11G Anchor Bolts (Steel Plated)
<b>AB KIT 135461</b>	5RP S11G Anchor Bolts (Galvanized)
<b>AB KIT 122583</b>	5RP S07G Anchor Bolts (Steel Plated)
<b>AB KIT 122608</b>	5RP S07G Anchor Bolts (Galvanized)

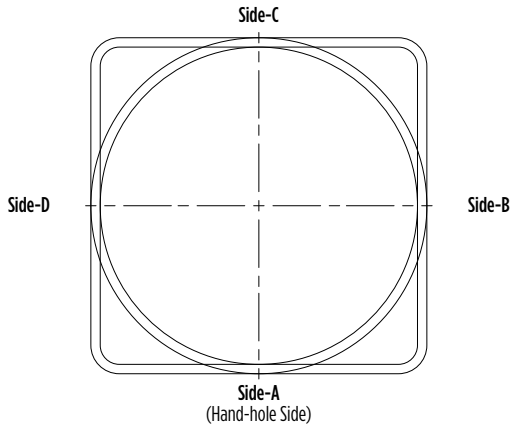
1 Use with BKA-IFM4.  
 2 See Area Light Brackets - 3" Reduced Drill Pattern and Area Light Brackets - 5" Traditional Drill Pattern Spec Sheets.  
 3 Only use with 4 inch pole.  
 4 For Enterprise, Lexington, and Constitution PT mounting configuration styles, see Tenon Mount (4N) and Lifestyle Slipfit Pole Series.  
 5 Pole heights will have a +/- 1/2" tolerance. Max height for 4RP S10G is 24'. Max height of the 5RP S11G is 26'.  
 6 See Flood Lighting Brackets section for choice of FBO Brackets.  
 7 For Enterprise and Lexington D180 or other mounting configuration styles using BK MPT B0 accessories order with B3 or B5 drill pattern.  
 8 Standard Flat black pole cap provided. Domed Greenlee pole cap will ship with SA4 and SA5 Enterprise and Lexington fixtures, SA Lifestyle Fixtures, BK MPT B0, and UCL Brackets.

# Steel Round Straight Poles (RP/RPU) New Build and Retrofit

Type: \_\_\_\_\_

 **Have questions?** Call us at (800) 436-7800

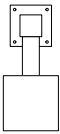
## DRILLING LOCATIONS



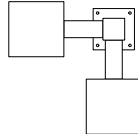
Sides	A	B	C	D
Hand-hole	X			
Single	X			
D180		X		X
D90	X			X
DN90 <sup>1</sup>				
T90	X	X		X
TN120 <sup>2</sup>				
Q90	X	X	X	X
QN90 <sup>3</sup>				
Single FBO <sup>4</sup>	X			
Double FBO <sup>4</sup>		X		X

## FIXTURE CONFIGURATIONS

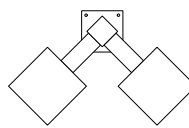
Single



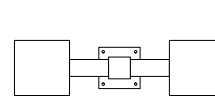
D90



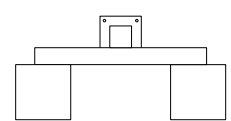
DN90



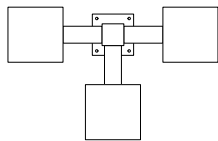
D180



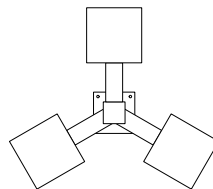
Parallel



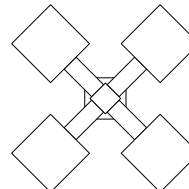
T90



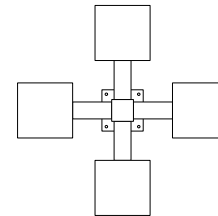
TN120



QN90



Q90



1 Two locations will be 45° to the left and right of Side A.

2 Other two locations will be 120° to the left and right of Side A.

3 Two locations will be 45° to the left and right of Side A and two locations will be 135° to the left and right of Side A.

4 Consult factory for custom variations. Standard SF and DF pole preparations are located 3/4 of the height of the pole from the base, except on 20' poles. Maximum height for SF and DF pole preparations on 20' poles is 13' from the base.

# Steel Round Straight Poles (RP/RPU) New Build and Retrofit

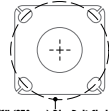
Type : \_\_\_\_\_

 Have questions? Call us at (800) 436-7800

## BOLT CIRCLE

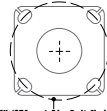
### STANDARD BASEPLATE

4" (102mm) Round  
10-1/8" (257mm) sq.



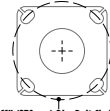
11" (279mm) Dia. Bolt Circle

5" (127mm) Round  
10-1/8" (257mm) sq.



11" (279mm) Dia. Bolt Circle

5" (127mm) Round  
10-1/8" (257mm) sq.

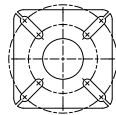


11" (279mm) Dia. Bolt Circle

Bolt Circle Designator	L	L	M
Bolt Circle	Slotted 11" (279mm)	Slotted 11" (279mm)	Slotted 11" (279mm)
Anchor Bolt Size	3/4" x 24" (19mm x 609mm)	3/4" x 24" (19mm x 609mm)	1"x30" (25mm x 762mm)
Anchor Bolt Projection	3-1/4" (83mm)	3-1/4" (83mm)	4" (102mm)
Base Plate Opening for Wireway Entry	3-5/8" (92mm)	4-3/4" (121mm)	4-5/8" (117mm)
Base Plate Dimensions	10-1/8" sq. x 3/4" thk. (257mm x 19mm)	10-1/8" sq. x 3/4" thk. (257mm x 19mm)	10-1/8" sq. x 1" thk. (257mm x 25mm)
Pole Gauge	10	11	7

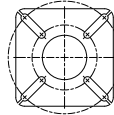
### UNIVERSAL BASEPLATE

4" (102mm) Round  
10" (254mm) sq.



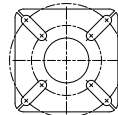
11" (279mm) Dia. Bolt Circle

5" (127mm) Round  
11-1/4" (286mm) sq.



13" (330mm) Dia. Bolt Circle

5" (127mm) Round  
11-3/4" (298mm) sq.



13" (330mm) Dia. Bolt Circle

Bolt Circle Designator	K	P	R
Bolt Circle	Slotted 7" - 11" (178mm-279mm)	Slotted 7-1/2" - 13" (191mm-330mm)	Slotted 8" - 13" (203mm-330mm)
Anchor Bolt Size	3/4" x 24" (19mm x 609mm)	3/4" x 24" (19mm x 609mm)	1"x30" (25mm x 762mm)
Anchor Bolt Projection	3-1/4" (83mm)	3-1/4" (83mm)	4" (102mm)
Base Plate Opening for Wireway Entry	3-5/8" (92mm)	4-3/4" (121mm)	4-5/8" (117mm)
Base Plate Dimensions	10" sq. x 3/4" thk. (254mm x 19mm)	11-1/4" sq. x 3/4" thk. (286mm x 19mm)	11-3/4" sq. x 1" thk. (298mm x 25mm)
Pole Gauge	10	11	7

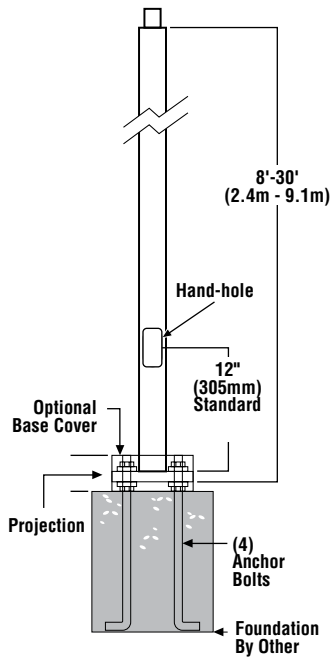
# Steel Round Straight Poles (RP/RPU) New Build and Retrofit

Type: \_\_\_\_\_

 Have questions? Call us at (800) 436-7800

## PRODUCT DIMENSIONS

RPT –  
 N = 2-3/8" (60mm) O.D. x 4-3/4" (121mm) Tenon  
 4N = 4" (102mm) O.D. x 4-7/8" (124mm) Tenon  
 4N6 = 4" (102mm) O.D. x 6-3/8" (162mm) Tenon



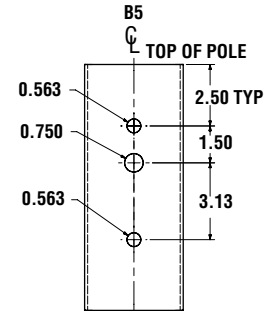
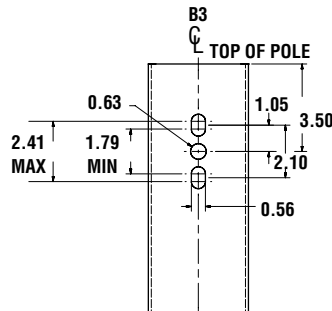
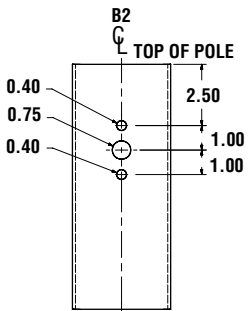
SF –  
 Single Flood  
 Pole Preparation



### SHIPPING WEIGHTS

4" (102mm) Dia. 10 Ga. is approximately	6.0 lbs./ft.
5" (127mm) Dia. 11 Ga. is approximately	7.0 lbs./ft.
5" (127mm) Dia. 07 Ga. is approximately	10.0 lbs./ft.
Anchor Bolts (3/4" x 24") (19mm x 609mm)	13 lbs.(6kg)/set
Anchor Bolts (1" x 30") (25mm x 762mm)	30 lbs.(14kg)/set

### Bolt-On Mount 2-Bolt Pattern



# Steel Round Straight Poles (RP/RPU) New Build and Retrofit

Type : \_\_\_\_\_

 Have questions? Call us at (800) 436-7800

## WIND SPEED

### EPA Information

All LSI Industries' poles are guaranteed to meet the EPA requirements listed. LSI Industries is not responsible if a pole order has a lower EPA rating than the indicated wind-loading zone where the pole will be located.

CAUTION: This guarantee does not apply if the pole/bracket/fixture combination is used to support any other items such as flags, pennants, or signs, which would add stress to the pole. LSI Industries cannot accept responsibility for harm or damage caused in these situations.

NOTE: Pole calculations include a 1.3 gust factor over steady wind velocity. Example: poles designed to withstand 80 MPH steady wind will withstand gusts to 104 MPH. EPAs are for locations 100 miles away from hurricane ocean lines. Consult LSI for other areas. Note: Hurricane ocean lines are the Atlantic and Gulf of Mexico coastal areas. For applications in Florida or Canada, consult factory.

### Use ONLY with "Wind Speed Map for ASCE 7-10

POLE <sup>1</sup>	Mtg. Height Length (ft)	Wall Thick (ga)	BOLT CIRCLE			EPA								
			Designator	Dia. (in)	Anchor bolt Dia {in}	110 MPH	115 MPH	120 MPH	130 MPH	140 MPH	150 MPH	160 MPH	170 MPH	180 MPH
4" x 10-ga x 14'	14	10	L	11	0.75	6.0	5.2	4.7	3.9	3.2	2.7	2.3	2.0	1.7
4" x 10-ga x 16'	16	10	L	11	0.75	4.3	3.7	3.2	2.6	2.1	1.8	1.4	1.2	1.0
4" x 10-ga x 18'	18	10	L	11	0.75	7.7	6.8	6.0	5.0	4.2	3.5	3.0	2.5	2.2
4" x 10-ga x 20'	20	10	L	11	0.75	6.0	5.2	4.6	3.7	3.1	2.5	2.1	1.8	1.5
4" x 10-ga x 22'	22	10	L	11	0.75	4.6	3.9	3.3	2.6	2.1	1.7	1.4	1.1	0.9
4" x 10-ga x 24'	24	10	L	11	0.75	3.4	2.7	2.2	1.7	1.3	1.0	0.7	0.5	n/a
5" x 11-ga x 16'	16	11	L	11	0.75	8.7	7.9	7.2	6.0	5.0	4.3	3.7	3.2	2.8
5" x 11-ga x 18'	18	11	L	11	0.75	12.2	11.1	10.1	8.5	7.2	6.1	5.3	4.6	4.0
5" x 11-ga x 20'	20	11	L	11	0.75	10.0	9.1	8.2	6.8	5.7	4.9	4.2	3.6	3.1
5" x 11-ga x 22'	22	11	L	11	0.75	8.1	7.3	6.6	5.5	4.5	3.8	3.2	2.8	2.4
5" x 11-ga x 24'	24	11	L	11	0.75	6.5	5.9	5.3	4.3	3.5	2.9	2.4	2.0	1.7
5" x 11-ga x 26'	26	11	L	11	0.75	5.2	4.6	4.1	3.2	2.6	2.1	1.7	1.4	1.1
5" x 7-ga x 18'	18	7	M	11	1.00	19.7	17.9	16.4	13.8	11.7	10.1	8.8	7.7	6.8
5" x 7-ga x 20'	20	7	M	11	1.00	16.5	15.0	13.7	11.5	9.8	8.4	7.3	6.3	5.6
5" x 7-ga x 22'	22	7	M	11	1.00	14.0	12.7	11.5	9.6	8.1	7.0	6.0	5.2	4.6
5" x 7-ga x 24'	24	7	M	11	1.00	11.8	10.6	9.6	8.0	6.8	5.7	4.9	4.2	3.7
5" x 7-ga x 26'	26	7	M	11	1.00	9.9	8.9	8.0	6.7	5.6	4.7	4.0	3.4	2.9
5" x 7-ga x 28'	28	7	M	11	1.00	8.3	7.4	6.7	5.4	4.5	3.7	3.1	2.7	2.3
5" x 7-ga x 30'	30	7	M	11	1.00	6.8	6.1	5.4	4.4	3.6	2.9	2.4	2.0	1.7

All LSI Industries' poles are guaranteed to meet the EPA requirements listed. LSI Industries is not responsible if a pole order has a lower EPA rating than the indicated wind-loading zone where the pole will be located.

CAUTION: This guarantee does not apply if the pole/bracket/fixture combination is used to support any other items such as flags, pennants, or signs, which would add stress to the pole. LSI Industries cannot accept responsibility for harm or damage caused in these situations.

### Note:

1- Poles shorter than these listed here in for each gauge have EPA rating equal to or greater than what is provided in this table. To Confirm EPA ratings on shorter poles, contact LSI Industries.