

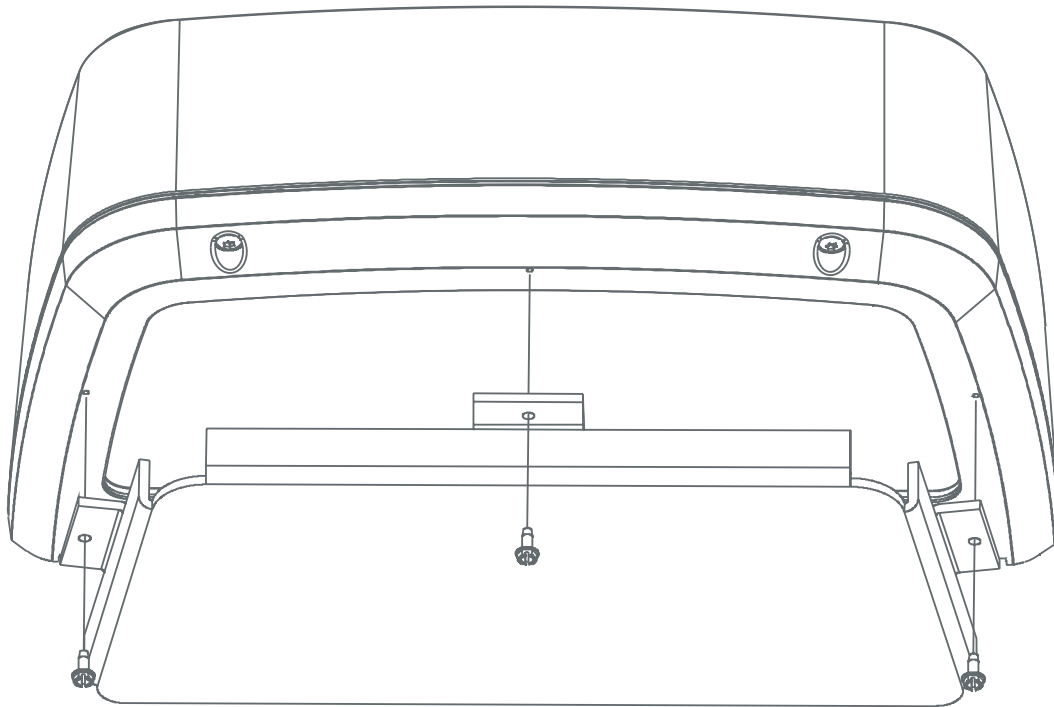
INSTALLATION & ASSEMBLY INSTRUCTIONS

PLS POLY VANDAL SHIELD, PTWS MODEL

WARNING: Risk of fire or electrical shock. Disconnect power before installing shields!

Tools required: Drill, 5/32" dia. drill bit, 5/16" hex socket with driver.

1. Disconnect power from luminaire.
2. Door frame has (3) drill point dimples. Drill 5/32" dia. holes, 1/2" deep maximum, thru outer door frame. **IMPORTANT! Do NOT drill thru *inner* door frame!**
3. Secure shield to door frame using supplied 10-24 x 1/2" hex-head screws.
4. Re-connect power to luminaire.



Installation Questions?

Call LSI Field Service Department at:
1-800-436-7800 Ext. 3300 Fax: 1-877-861-1368



A Company with a *Smart Vision*

LSI Industries Inc. 10000 Alliance Rd.
362254 Rev. 3/11

Cincinnati, Ohio 45242

(513) 793-3200
1 / 1

Fax (513) 793-0147

www.lsi-industries.com

©2011 LSI Industries Inc.