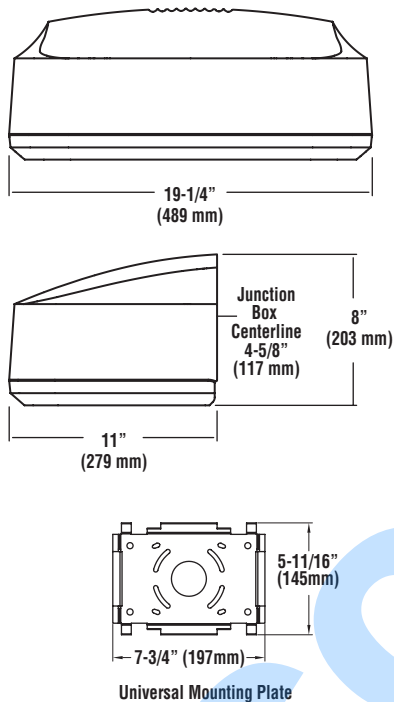


# PATRIOT WALL SCONCE (Various reflectors are protected by U.S. Patent No. 6,464,378.)



Flat-lensed fixtures meet IESNA full cutoff classification  
 COMMUNITY FRIENDLY

## DIMENSIONS



SHIPPING WEIGHTS - Patriot Wall Sconce				
Catalog Number	Est. Weight (kg/lbs.)	Length (mm/in.)	Width (mm/in.)	Height (mm/in.)
PTWS-HID	11/25	616/24.25	394/15.5	362/14.25
PTWS-CFL	9/20	616/24.25	394/15.5	362/14.25

**HOUSING** - The one-piece die-cast aluminum housing is a multi-radiused rectangular shape. All mounting hardware is stainless steel or electro-zinc plated steel.

**WALL MOUNT** - A galvanized-steel universal wall mounting plate easily mounts directly to a 4" octagonal or square junction box. An EPDM gasket is supplied to be installed between the mounting plate and junction box, sealing the junction box from entrance of water. The galvanized-steel universal plate allows the fixture to be suspended while making wiring connections. A unique clamping design securely locks the fixture to the wall mounting plate by utilizing two hex head screws. The universal plate permits the fixture to be mounted in the uplighting or downlighting position. Both positions are listed for wet locations. The standard housing/door seal design prevents external contaminants from entering the PTWS, resulting in an IP65 rating.

**DOOR FRAME** - The die-cast aluminum door frame with two black stainless steel captive fasteners allows easy access into the fixture. A one piece extruded silicone closed-cell sponge gasket seals the door frame against the housing. The door hinges open for ease of lamp and ballast maintenance.

**LENS/GASKET** - A flat clear tempered glass lens is sealed to the door frame with silicone closed-cell sponge gasketing.

**SOCKETS** - HID lampholders are glazed porcelain, medium base, 4KV pulse rated. The Compact Fluorescent fixtures feature a one-piece thermoplastic socket.

**LIGHT SOURCES** - The fixture is designed to operate with horizontal Ceramic Metal Halide, Metal Halide, High Pressure Sodium, and single or double Compact Fluorescent lamps. Lamps supplied as standard – HID (clear, shipped installed), and Compact Fluorescent (coated, 4100K, not installed).

## BALLASTS/ELECTRICAL COMPONENTS

- Electrical components are factory-mounted in housing and prewired with voltage specific leads which extend out the back of the unit through a rubber grommet. This grommet prevents the entry of insects, dust, and moisture into the fixture. The need to open the fixture to make wiring connections is eliminated, thus making installation quick and easy. UL listed HID components with high-power factor ballasts rated for -20° F starting. Compact Fluorescent ballasts are Electronic Universal Voltage (120-277V, 50/60Hz) or 347V (60Hz), 0°F starting. Compact Fluorescent fixtures with UE (Universal Electronic) voltage are available with an optional dimming ballast for multiple types of controls such as building lighting controls and occupancy sensors. Available battery back-up of BB (32° starting temperature) and CWBB (0° starting temperature) are 120 or 277 voltage specific for U.S. applications for 26 watt through 42 watt lamps. Consult factory for available wattages and voltages for use in Canada

**EMERGENCY OPERATION** - A variety of integral emergency options are available to comply with Life Safety Codes which require emergency lighting along the path of egress on the building's exterior, so building occupants can exit safely. Integral Emergency Battery Back-up options are available on Compact Fluorescent units. Emergency Quartz options are offered on HID units. Options for one or two 12 volt separate circuit(s), for use with up to 35 watt Halogen lamp(s) are available on both Compact Fluorescent and HID units.

## REFLECTORS/DISTRIBUTION PATTERNS

- Forward Throw (FTM, FT), Type III (3), and Wall Wash (WW) reflectors are available. All are high performance, full cut-off distribution as defined by the IESNA (downlight position only). Photometric data is tested in accordance with IESNA guidelines.

**FINISHES** - Each fixture is finished with LSI's DuraGrip® polyester-powder finishing process. The DuraGrip finish withstands extreme weather changes without cracking or peeling and is guaranteed for five full years. Standard colors include bronze, black, platinum plus, white, satin verde green, metallic silver, and graphite.

**PHOTOMETRICS** - Please visit our web site at [www.lsi-industries.com](http://www.lsi-industries.com) for detailed photometric data.



IP65

ARRA  
Funding Compliant



Project Name \_\_\_\_\_ Fixture Type \_\_\_\_\_  
 Catalog # \_\_\_\_\_

10/22/15

© 2015  
LSI INDUSTRIES INC.

# PATRIOT WALL SCNCE

## LUMINAIRE ORDERING INFORMATION



TYPICAL ORDER EXAMPLE: **PTWS FTM 42 CFL2 F UE BRZ BB**

Luminaire Prefix	Distribution	Lamp Wattage	Light Source	Lens	Line Voltage	Luminaire Finish	Options
PTWS	3 - Type III FT - Forward Throw WW - Wall Wash	50 70 100 150	CMH - Ceramic Metal Halide 150 Watt MH - Metal Halide 70, 100 <sup>1</sup> , 150 Watt HPS - High Pressure Sodium 50 <sup>2</sup> , 70, 100, 150 Watt	F - Flat Clear Tempered Glass	120 208 240 277 347 480	BRZ - Bronze BLK - Black PLP - Platinum Plus WHT - White SVG - Satin Verde Green GPT - Graphite MSV - Metallic Silver	PCI120 - Button-Type Photocell PCI208 - Button-Type Photocell PCI240 - Button-Type Photocell PCI277 - Button-Type-Photocell PCI347 - Button-Type Photocell DIM - CFL Control Voltage Dimming Ballast <sup>4</sup> C - Coated MH Lamp SQT - Stand-by Quartz (Time Delay) <sup>5</sup> SQN - Stand-by Quartz (Non Time Delay) <sup>5</sup> EQ - Emergency Quartz (Separate 120V Circuit - HID only) <sup>5</sup> EQ2 - Two Emergency Quartz (2 separate 120V circuits - HID only) <sup>6</sup> BB - CFL Battery Back-up <sup>7</sup> CWBB - CFL Cold Weather Battery Back-up <sup>7</sup> EMR1 - One Emergency 12V Circuit Provision with 35 Watt Halogen Lamp <sup>8</sup> EMR1LL - One Emergency 12V Circuit Provision - Less Halogen Lamp <sup>8</sup> EMR2 - Two Emergency 12V Circuit Provisions with (2) 35 Watt Halogen Lamps <sup>8</sup> EMR2LL - Two Emergency 12V Circuit Provisions - Less Halogen Lamps <sup>8</sup> LL - Less Lamp PMA - Pole Mounting Adaptor w/fixture backplate for square poles <sup>9</sup> PMAR - Pole Mounting Adaptor w/fixture backplate for round poles <sup>9</sup>
	FTM - Forward Throw Medium	26 32 42 57 70	CFL - Compact Fluorescent Single 26, 32, 42, 57, 70 Watt CFL2 - Compact Fluorescent Double 26, 32, 42 Watt		UE - Universal Electronic (120-277V 50/60Hz)  347 <sup>3</sup>		
	WW - Wall Wash		CFL - Compact Fluorescent Single 26, 32, 42 Watt				

**Consult Factory  
for International  
Voltages and Light  
Sources**

### ACCESSORY ORDERING INFORMATION (Accessories are field installed)

Description	Order Number	Description	Order Number
FK120 - Single Fusing	FK120 <sup>10</sup>	FK347 - Single Fusing	FK347 <sup>10</sup>
FK277 - Single Fusing	FK277 <sup>10</sup>	PTWS SW BLK - Surface Wiring Box (black only)	356915BLK
DFK208, 240 - Double Fusing	DFK208, 240 <sup>10</sup>	PTWS PLS - Polycarbonate Shield	244657
DFK480 - Double Fusing	DFK480 <sup>10</sup>		

### FOOTNOTES:

- Supplied with an HX-HPF transformer as standard. Also available with a 120/277 volt CWA transformer - consult factory.
- 50 watt is not available in 347V.
- 347 volt CFL is not available with dimming ballast (DIM) option or battery back-up options (BB, CWBB).
- CFL Dimming Control by others.
- HID lamp wattages 50 and 70 are supplied with a 50 watt, 120V quartz lamp. HID lamp wattages 100 through 175 are supplied with a 100 watt, 120V quartz lamp. EQ option is not compatible with EMR options.
- Available on 100 watt minimum HID fixtures. HID lamp wattages 100 through 175 are supplied with two 50 watt, 120V quartz lamps. Not compatible with EMR options.
- Battery Back-up available on single and double 26, 32 or 42 watt CFL units with 120 or 277 voltage specific units for U.S. applications. Please change Line Voltage of UE to 120 or 277 when ordering this option. On double units, one lamp will be energized by Battery Back-up. Consult factory for specific Means of Egress job application compliance.
- Utilizes GZ4 socket(s). 12 volt separate circuit(s) required. Not compatible with EQ, EQ2, PMA or PMAR options.
- For single and D180 mounting configurations only. Not compatible with EQ, EQ2, and all EMR options. Use with 5" traditional drilling pattern.
- Available on HID fixture only. Fusing to be installed in a compatible junction box supplied by contractor.



Project Name \_\_\_\_\_ Fixture Type \_\_\_\_\_  
 Catalog # \_\_\_\_\_

10/22/15

© 2015  
 LSI INDUSTRIES INC.