



# Zone Sports Flood (ZNF)

## Outdoor Sports Flood Light



### OVERVIEW

Lumen Package (lm)	70,000 -100,000
Wattage Range (W)	450-750
Efficacy Range (LPW)	up to 160
Fixture Weight lbs (kg)	42(19) max.
EPA	2.5

### QUICK LINKS

## FEATURES & SPECIFICATIONS

### Construction

- Rugged die-cast aluminum housing in the 450, 550 and cold forged aluminum in the 750 for superior heat dissipation
- Driver is separated from light engines increasing driver and LED life
- Housing shroud is formed aluminum
- Mounting Brackets are 12 ga formed steel.
- Fixtures are finished with polyester powder coat finishing process to withstand extreme weather changes without cracking or peeling.
- 9 ft. power cord included with the fixture.
- Shipping weight (in carton) - 42 lbs (19 kg).

### Optical System

- State-of-the-Art sports flood optics available in 5 unique NEMA flood distributions
- Glare shield visor is formed aluminum to reduce high angle glare
- Available in 5000K and 4000K
- Minimum CRI of 70

### Electrical

- 0-10V dimming (10% - 100%) standard.
- Universal Voltage (120-277 VAC) Input 50/60 Hz or High Voltage (347-480 VAC).
- Operating temperature: -40°C to +50°C (-40°F to +122°F).

- L80 Calculated Life: >100k Hours (See Lumen Maintenance on Page 5)
- Total harmonic distortion: <20%
- High-performance driver features overvoltage, under-voltage, short-circuit and over temperature protection.
- Power factor: >.90
- Input power stays constant over life.
- Field replaceable 20kV surge protection device meets a minimum Category C Low operation (per ANSI/IEEE C62.41.2).
- High-efficacy LEDs mounted to metal-core circuit board to maximize heat dissipation for long life
- Driver is fully encased in potting material for moisture resistance and complies with FCC standards.
- 20kA surge protector is field replaceable

### Controls

- LSI's AirLink wireless control system options allow for programming and group control while reducing energy and maintenance costs and optimizing light quality (see page 7 for more details).
- Dynamic Behaviors allow you to create and save scenes for events like scoring, player introductions, halftime shows and other special events.

### Installation

- Heavy duty yoke mounting to standard sports bracket with 3/4" bolt
- Vertical aiming is easily locked in place with ergonomic tool-less locking handle.
- Horizontal and vertical aiming guides to simplify. Optional laser sight for extreme aiming accuracy.

### Warranty

- LSI luminaires carry a 5-year limited warranty. Refer to <https://www.lsicorp.com/resources/terms-conditions-warranty/> for more information.

### Listings

- ETL Listed to UL 1598 and UL 8750.
- Suitable for wet locations.
- IP66 rated Luminaire per IEC 60598-1.
- Meets Buy American Act requirements.



# Zone Sports Flood (ZNF) Outdoor Sports Flood Light

Type : \_\_\_\_\_

 **Have questions?** Call us at (800) 436-7800

## ORDERING GUIDE

TYPICAL ORDER EXAMPLE: ZNF 100L MF UNV 50 BLK GS						
Prefix	Output	Distributions	Voltage	Color Temperature	Finish	Options
ZNF - Zone Sports Flood	<b>70L</b> - 70,000 lumens <b>85L</b> - 85,000 lumens <b>100L</b> - 100,000 lumens <sup>2</sup> Custom Lumen Outputs Available <sup>1</sup>	<b>VNF</b> - Very Narrow Flood <b>NF</b> - Narrow Flood <b>MF</b> - Medium Flood <b>MWF</b> - Medium Wide Flood <b>WF</b> - Wide Flood	<b>UNV</b> - Universal Voltage (120-277V) <b>HV</b> - High Voltage (347-480V) <sup>2</sup>	<b>40</b> - 4000K <b>50</b> - 5000K	<b>BLK</b> - Black	<b>SH</b> - Housing Shroud <b>ALSDC SH</b> - Airlink Integral Controller <b>ALSDC DB SH</b> - Airlink Synapse Integral Controller and Dynamic Behaviors Drivers



Need more information?  
Click here for our glossary

**Have additional questions?**  
Call us at (800) 436-7800




## ACCESSORY ORDERING INFORMATION

Part Number	Description
773143	Laser Sight
771379	Glare Shield Visor
771444BLK	Tenon Top Adapter
ALSSM WIFI-VER-CEL	AirLink Synapse Central Base Station
ALS RMT ACCESS	AirLink Synapse Remote Access 12 month subscription
ALS DYN SCENE	AirLink Synapse Dynamic Behavior Software
79269002	ZNF 2 Light Wood Pole Bracket
79269003	ZNF 3 Light Wood Pole Bracket
79269004	ZNF 4 Light Wood Pole Bracket
79269005	ZNF 5 Light Wood Pole Bracket
79269006	ZNF 6 Light Wood Pole Bracket

1. Custom Lumen and wattage packages available, consult factors. Values are within industry standard tolerances but not DLC listed  
2. Controls not Available

# Zone Sports Flood (ZNF) Outdoor Sports Flood Light

Type : \_\_\_\_\_

 Have questions? Call us at (800) 436-7800

## PERFORMANCE

DELIVERED LUMENS *										
Lumen Package	Distribution	NEMA	Field Angle H x V	4000K CCT			5000K CCT			Wattage
				Delivered Lumens	Efficacy	Max Beam Candlepower	Delivered Lumens	Efficacy	Max Beam Candlepower	
70L	VNF	2x2	26x26	64,226	140	607,286	64,798	142	601,925	458
	VNF-GS	2x2	26x26	61,438	134	580,923	61,985	135	575,794	458
	NF	4x4	45x45	69,005	149	234,520	71,061	149	243,754	464
	NF-GS	4x4	45x45	65,391	141	230,334	67,339	146	242,728	463
	MF	4x4	58x58	69,050	149	169,900	71,108	154	174,962	463
	MF-GS	4x4	58x58	65,618	142	167,669	67,573	146	174,226	463
	MWF	5x5	76x76	68,479	148	113,080	70,520	148	116,449	463
	MWF-GS	5x5	76x76	65,118	141	115,047	67,058	145	115,959	463
	WF	6 x 6	107 x 107	67,456	146	73,010	69,466	150	75,186	450
	WF-GS	6 x 6	105 x 101	63,008	136	72,649	64,886	140	74,814	450
85L	VNF	2x2	26x26	72,701	133	650,946	73,348	134	645,200	547
	VNF-GS	2x2	26x26	69,545	127	622,687	70,165	128	617,190	547
	NF	4x4	45x45	82,249	143	287,048	84,700	147	295,601	576
	NF-GS	4x4	45x45	78,234	137	285,840	80,564	141	294,357	573
	MF	4x4	58x58	80,415	140	198,108	82,811	144	204,011	574
	MF-GS	4x4	58x58	77,232	135	194,983	79,533	139	203,152	572
	MWF	5x5	76x76	81,622	142	138,408	82,127	143	142,532	576
	MWF-GS	5x5	76x76	76,644	133	137,825	78,927	137	141,932	576
	WF	6 x 6	107 x 107	78,559	136	85,027	80,900	141	87,561	550
	WF-GS	6x6	105 x 101	74,161	129	85,508	76,370	133	88,055	550
100L	VNF	2x2	26x26	95,550	125	823,397	96,401	125	861,042	767
	VNF-GS	2x2	26x26	91,402	119	808,113	92,216	120	857,418	767
	NF	4x4	45x45	102,499	134	354,789	105,553	138	365,360	765
	NF-GS	4x4	45x45	96,852	127	351,226	99,738	130	363,822	765
	MF	4x4	58x58	101,552	133	253,464	104,578	148	261,016	765
	MF-GS	4x4	58x58	95,612	125	252,397	98,431	129	259,917	765
	MWF	5x5	76x76	104,813	137	168,698	107,936	141	173,724	765
	MWF-GS	5x5	76x76	94,882	124	167,988	97,709	128	172,993	765
	WF	6 x 6	107 x 107	103,246	135	111,748	106,322	139	115,077	750
	WF-GS	6 x 6	105 x 101	91,809	120	105,855	94,544	123	109,010	750

\*LEDs are frequently updated therefore values are nominal

ELECTRICAL DATA*							
Lumen Level	Watts	120V	208V	240V	277V	347V	480V
70L	464	3.87	2.23	1.93	1.67	1.34	0.97
85L	576	4.80	2.77	2.40	2.08	1.66	1.20
100L	767	6.39	3.69	3.20	2.77	2.21	1.60

RECOMMENDED LUMEN MAINTENANCE <sup>1</sup>					
Ambient Temp C	Initial <sup>2</sup>	25K hr <sup>2</sup>	50K hr <sup>2</sup>	75K hr <sup>2</sup>	100K hr <sup>2</sup>
0-25 C	100%	93%	86%	80%	74%

\*Electrical data at 25°C (77°F). Actual wattage may differ by +/-10%.

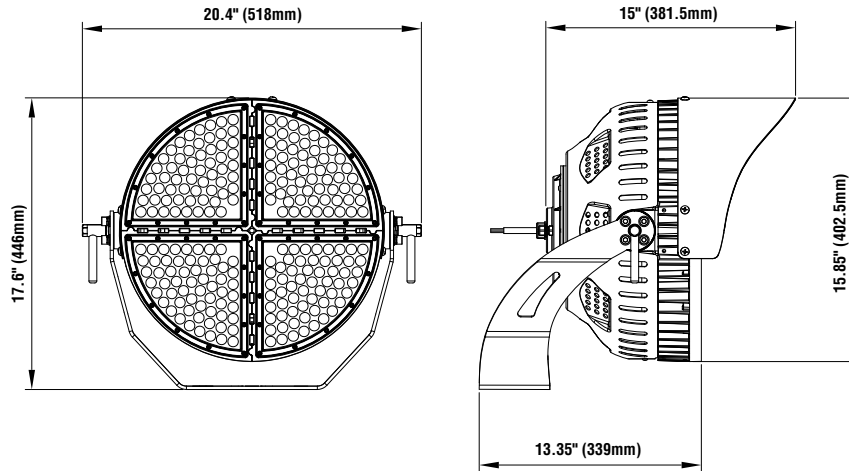
- Lumen maintenance values at 25C are calculated per TM-Z1 based on LM-80 and in-situ testing.
- In accordance with IESNA TM-Z1-11, projected values represent interpolated value based on time durations that are within six times the IESNA LM-80-08 total test duration for the device under testing.
- In accordance with IESNA TM-Z1-11, calculated values represent time durations that exceed six times the IESNA LM-80-08 total test duration for the device under testing.

# Zone Sports Flood (ZNF) Outdoor Sports Flood Light

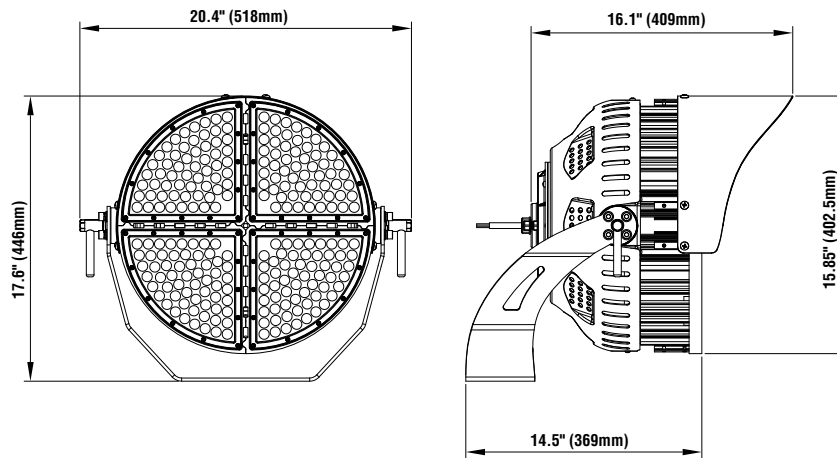
Type: \_\_\_\_\_

 Have questions? Call us at (800) 436-7800

## PRODUCT DIMENSIONS

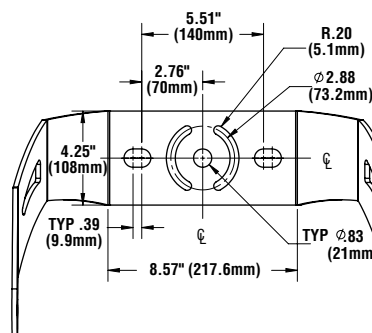


70L & 85L

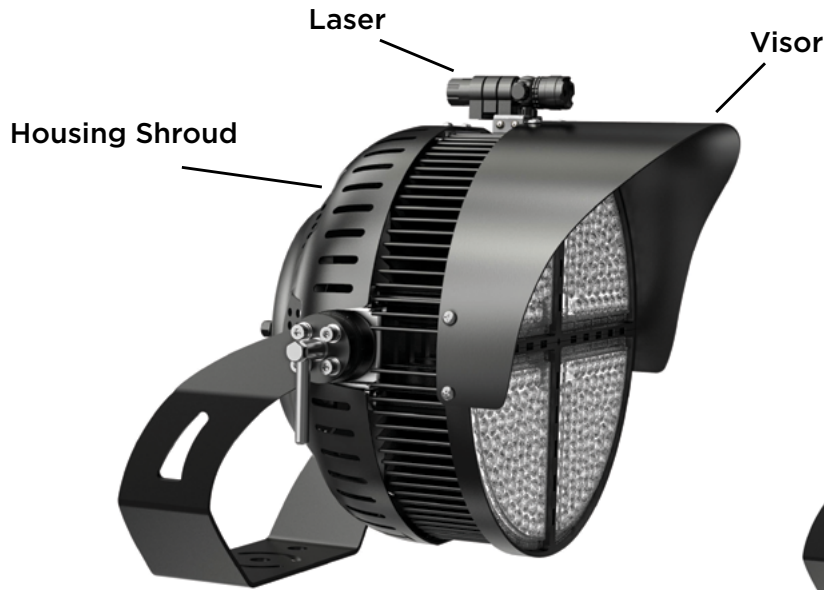


100L

## MOUNTING



## ACCESSORIES



Shown without housing shroud



**Central Base Station**  
(ALS CBS WIFI VER CELL)



**Embedded Light Controller and  
Dynamic Behaviors Driver**  
\*(ALSC) \*\*(ALSC DB)

## Wireless Digital Lighting Controller (Factory installed in luminaire)

The Central Base Station can be installed anywhere you need wireless push-button lighting control, such as municipal ballparks, hockey arenas, basketball facilities, and other multi-use complexes. The heart of the Central Base Station is the AirLink Synapse Site Manager, contained in the NEMA 4X enclosure. A bank of 5 buttons enables manual access to the site lighting controls. The Central Base Station makes it easy for electricians to quickly install the site controller and enables quick and simple access to a switch station that can be programmed to meet the needs of the end-user.

The ALSC is a California Title 24 compliant lighting controller that provides real-time light monitoring and control with utility-grade power monitoring. It includes a 24V sensor input and power supply to connect up to two (2) sensors into the outdoor AirLink wireless lighting system.