



Catalog #: _____ Project: _____

Prepared By: _____ Date: _____ Type: _____

XSPS

LED Soffit Light



OVERVIEW	
Lumen Package	4000 - 8000
Wattage Range	43 -59
Efficacy Range (LPW)	96 -104
Weight lbs (kg)	7.6 (3.5)

QUICK LINKS

[Ordering Guide](#)[Performance](#)[Photometrics](#)[Dimensions](#)

FEATURES & SPECIFICATIONS

Construction

- Housing is die-formed aluminum with diffuse acrylic lens providing a water-resistant seal. Enclosure contains factory prewired driver and optical unit containing LEDs.
- Recess mount into an enclosed soffit with screws through the mounting frame. 8" clearance required for ease of installation.
- Finished with LSI's DuraGrip® polyester powder coat finishing process. The DuraGrip finish withstands extreme weather changes without cracking or peeling, and is guaranteed for five full years. Standard color is gloss white.
- Shipping weight: 7.6 lbs in carton.
- Suitable for wet locations.

Optical System

- Symmetric distribution with excellent uniformity and a BUG rating of B2-UO-G1. Diffuse lens is standard to minimizing visibility of LEDs.
- Select high-brightness LEDs.
- Available in 5000K, 4000K and 3000K
- Color temperatures per ANSI C78.377.
- Minimum CRI of 80.

Electrical

- High-performance factory programmable driver features over-voltage, under voltage, short-circuit and over temperature protection with integral surge protection that meets IEEE C62.41.2 and ANSI C82.77. -5 Location Category C Low standards.
- 0-10 volt dimming (10% - 100%) standard.
- 120-347VAC 50/60Hz
- Thermal protector standard on 5000-8000 lumen versions.
- L80 Calculated Life: >100k Hours (See Lumen Maintenance chart)
- Total harmonic distortion: <20%
- Operating temperature: -40°C to 40°C (-40°F to 104°F) for HO and VHO. -40°C to 45°C (-40°F to 113°F) for SS. -40°C to 35°C (-40°F to 95°F) for SHO .
- Power factor: >0.90
- Input power stays constant over life.
- High-efficacy LEDs with integrated circuit board mount to the housing to maximize heat dissipation and promote long life.
- Driver components are fully encased in potting material for moisture resistance. Driver complies with FCC standards.

Warranty

- LSI luminaires carry a 5-year limited warranty. Refer to <https://www.lsicorp.com/resources/terms-conditions-warranty/> for more information.

Listings

- Listed to UL 1598 and UL 8750
- Suitable For Damp Locations
- Meets Buy American Act requirements.
- DesignLights Consortium® (DLC) qualified product. Not all versions of this product may be DLC qualified. Please check the DLC Qualified Products List at www.designlights.org/QPL to confirm which versions are qualified.
- IDA compliant with 3000K or lower color temperature.



XSPS LED Soffit Light

[Back to Quick Links](#)

ORDERING GUIDE

TYPICAL ORDER EXAMPLE: **XSPS S LED SS CW 120 GWT DFL**

Prefix	Distribution	Light Source	Drive Current	Color Temperature	Input Voltage	Finish	Lens	Options
XSPS - LED Soffit	S - Symmetric	LED	SS - 4,000 Lumens HO - 5,000 Lumens VHO - 6,000 Lumens	CW - 5000K 80 CRI NW - 4000K 80 CRI WW - 3000K 80 CRI	120 - 120V 208 - 208V 240 - 240V 277 - 277V 347 - 347V	GWT - Gloss White	DFL - Diffused Acrylic Lens	CMT - Channel Bar Mounting Kit BB - Emergency Battery Pack ¹

1 - Emergency Battery Pack only available on the SS - 4000 lumen version (120, 208, 240 & 277V versions).

PERFORMANCE

DELIVERED LUMENS													
Lumen Package	Distribution	Lens Type	CRI	3000K CCT			4000K CCT			5000K CCT			Wattage
				Delivered Lumens	Efficacy	Bug Rating	Delivered Lumens	Efficacy	Bug Rating	Delivered Lumens	Efficacy	Bug Rating	
SS	S	DFL	80	3816	123	B2-U0-G1	4022	129	B2-U0-G1	3966	128	B2-U0-G1	31
HO	S	DFL	80	4756	120	B2-U0-G1	5011	127	B2-U0-G1	4941	125	B2-U0-G1	40
VHO	S	DFL	80	5733	118	B2-U0-G1	6041	124	B2-U0-G1	5957	122	B2-U0-G1	49
SHO	S	DFL	80	7559	113	B3-U0-G1	7965	119	B3-U0-G1	7853	118	B3-U0-G1	67

LEDs are frequently updated therefore values are nominal.

Electrical Data (Amps)*						
Lumen Package	Wattage	120V	208V	240V	277V	347V
SS	31	0.26	0.15	0.13	0.11	0.09
HO	40	0.33	0.19	0.16	0.14	0.11
VHO	49	0.41	0.23	0.2	0.18	0.14
SHO	67	0.56	0.32	0.28	0.24	0.19

*Electrical data at 25C (77F). Actual wattage may differ by +/-10%.

RECOMMENDED LUMEN MAINTENANCE					
Ambient Temp C	Initial ¹	25K hrs. ¹	50K hrs. ¹	75K hrs. ²	100K hrs. ²
25 C	100%	95%	91%	86%	82%

1 - In accordance with IESNA TM-21-11, Projected Values represent interpolated value based on time durations that are within six times the IESNA LM-80-08 total test duration for the device under testing.

2 - In accordance with IESNA TM-21-11, Calculated Values represent time durations that exceed six times the IESNA LM-80-08 total test duration for the device under testing.



XSPS LED Soffit Light

PHOTOMETRICS

[Back to Quick Links](#)

Luminaire photometry has been conducted by a NVLAP accredited testing laboratory in accordance with IESNA LM-79-08. As specified by IESNA LM-79-08 the entire luminaire is tested as the source resulting in a luminaire efficiency of 100%.

For complete specifications and IES files, see website.

XSPS S LED HO NW DFL

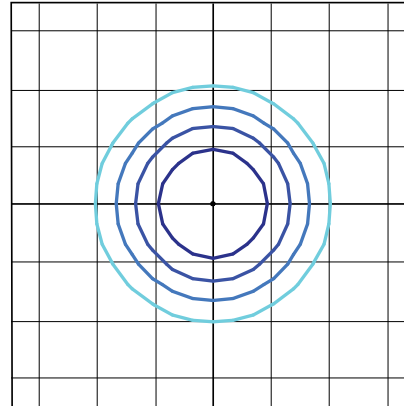
Luminaire Data

Type S Distribution	
Description	4000 Kelvin, 70 CRI
Delivered Lumens	5,011
Watts	39.5
Efficacy	127
IES Type	Type VS - Very Short
BUG Rating	B2-U0-G1

Zonal Lumen Summary

Zone	Lumens	%Luminaire
Low (0-30°)	1536	31%
Medium (30-60°)	2565	51%
High (60-80°)	826	16%
Very High (80-90°)	84	2%
Uplight (90-180°)	0	0%
Total Flux	5011	100%

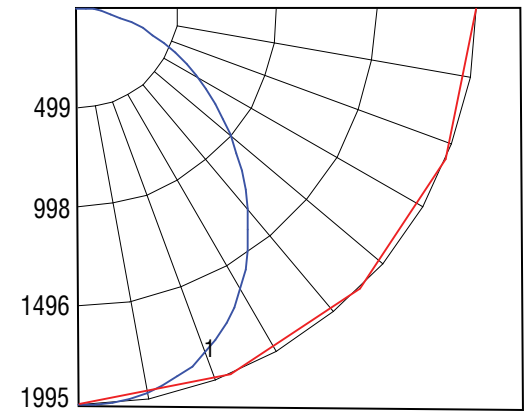
ISO FOOTCANDLE PLOT



10' Mounting Height/10' Grid Spacing

■ 5 FC
■ 2 FC
■ 1 FC
■ 0.5 FC

POLAR CURVE

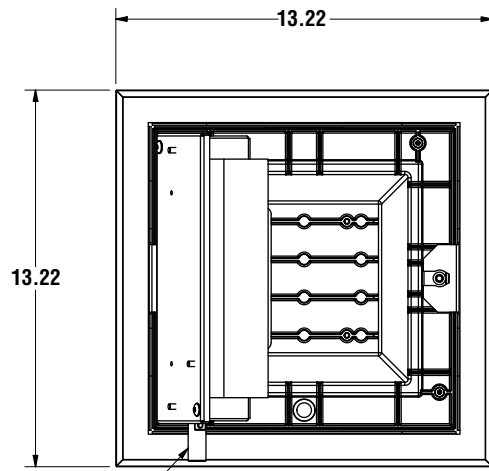




XSPS LED Soffit Light

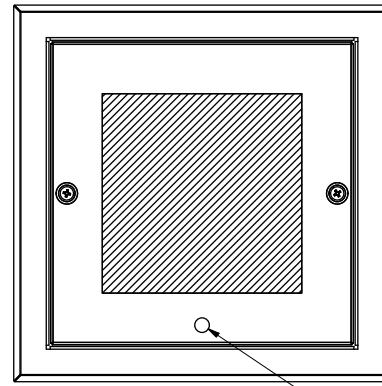
PRODUCT DIMENSIONS

[Back to Quick Links](#)



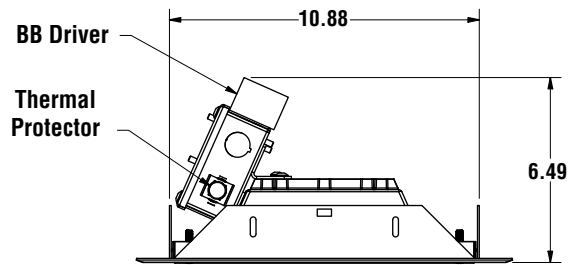
Thermal Protector

TOP VIEW



BOTTOM VIEW

BB Test Button



BB Driver

Thermal Protector

SIDE VIEW

Note:

1. 8" of clearance is required in the soffit for luminaire installation.
2. Emergency Battery pack (BB) only available on 4000 lumen version. Thermal protector only required on 5000, 6000 & 8000 lumen versions. 11" square hole required to install XSPS.