



# Steel Poles

## Square Straight Direct Burial



### OVERVIEW

Height	10'-30'
Gauge	7 or 11
Diameter	4"-5"

### QUICK LINKS

## FEATURES & SPECIFICATIONS

### Pole Shaft

- Straight poles are 4" or 5" square.
- Pole shaft is electro-welded ASTM-A500 Grade C steel tubing with a minimum yield strength of 50,000 psi.
- On Tenon Mount steel poles, tenon is 2-3/8" O.D. high-strength pipe. Tenon is 4-3/4" in length.

### Hand-Hole

- Standard hand-hole location is 12" above ground line.
- Poles 22' and above have a 3" x 6" reinforced hand-hole. Shorter poles have a 2" x 4" non-reinforced hand-hole.

### Above Grade Wiring Access

- An optional conduit access coupling is located 12" above ground line opposite side of the hand hole.

### Below Grade Wiring Access

- A 2" x 4" oval hole is located 18" below the ground line on side "C" of the pole.

### Ground Lug

- Ground lug is standard.

### Duplex Receptacle

- Weatherproof duplex receptacle is optional.

### Ground Fault Circuit Interrupter

- Self-testing Ground fault circuit interrupter is optional.

### Finishes

- Every pole is provided with the DuraGrip® Protection System and a 5-year limited warranty:
- When the top-of-the line DuraGrip® Plus Protection System is selected, in addition to the DuraGrip® Protection System, a nonporous, automotive-grade corrosion coating is applied to the lower portion of the pole interior, sealing and further protecting it from corrosion. This option extends the limited warranty to 7 years.

### Determining The Luminaire/Pole Combination For Your Application:

- Select luminaire from luminaire ordering information
- Select bracket configuration if required
- Determine EPA value from luminaire/bracket EPA chart
- Select pole height
- Select MPH to match wind speed in the application area (See windspeed maps).
- Confirm pole EPA equal to or exceeding value of luminaire/bracket EPA
- Consult factory for special wind load requirements and banner brackets

### Listings

- UL Listed
- BAA/TAA Compliant

## ORDERING GUIDE

TYPICAL ORDER EXAMPLE: 4SQDB B3 S10G 20 S PLP DGP						
Pole Series	Mounting Method	Material	Height <sup>2</sup>	Mounting Configuration	Pole Finish	Options
<b>4SQDB</b> - 4" x 4" Square Straight Pole <b>5SQDB</b> - 5" x 5" Square Straight Pole	<b>Bolt-On Mount<sup>1</sup></b> - See pole selection guide for patterns and fixture matches. <b>B5</b> - 5" Traditional drilling pattern <b>B3</b> - 3" Reduced drilling pattern <b>B2</b> - 2" Reduced drilling pattern  <hr/> <b>T</b> - Tenon Mount - See pole selection guide for tenon and fixture/bracket matches  <hr/> <b>I</b> - No Mounting Holes <sup>3</sup> - Use with: <ul style="list-style-type: none"> <li>• BKA 4ISF &amp; BKA 5ISF</li> <li>• BKA X4ISF &amp; BKA X5ISF</li> </ul>	<b>S11G</b> - 11 Ga. Steel (4SQDB and 5SQDB only) <b>S07G</b> - 07 Ga. Steel <sup>7</sup>	<b>10'</b> <b>12'</b> <b>14'</b> <b>16'</b> <b>18'</b> <b>20'</b> <b>22'</b> <b>24'</b> <b>26'</b> <b>28'</b> <b>30'</b>	<b>S</b> - Single/Parallel <b>D180</b> - Double <b>D90</b> - Double <b>DN90</b> - Double <b>T90</b> - Triple <b>TN120</b> - Triple <b>Q90</b> - Quad <b>QN90</b> - Quad  <hr/> <b>N</b> - Tenon Mount (Standard tenon size is 2-3/8" O.D.)	<b>BRZ</b> - Bronze <b>BLK</b> - Black <b>PLP</b> - Platinum Plus <b>WHT</b> - White <b>SVG</b> - Satin Verde Green <b>GPT</b> - Graphite <b>MSV</b> - Metallic Silver <b>BZA</b> - Alternate Bronze <b>GMG</b> - Gun Metal Gray	<b>SF</b> - Single Flood <sup>6</sup> <b>DF</b> - Double Flood <sup>6</sup> <b>DGP</b> - DuraGrip <sup>6</sup> Plus <b>CC</b> - 3/4" Conduit Coupling  <div style="border: 1px solid black; padding: 5px; width: fit-content;">                     Standard SF and DF pole preparations are located 3/4 of the height of the pole from the base, except on 20' poles. Maximum height for SF and DF pole preparations on 20' poles is 13' from the base.                 </div>



**Need more information?**  
[Click here for our glossary.](#)

**Have additional questions?**  
 Call us at (800) 436-7800



## ACCESSORY ORDERING INFORMATION

Part Number	Description
122566CLR	ER2 - Weatherproof Duplex Receptacle)
122567CLR	GFI - Ground Fault Circuit Interrupter
132336	MH5 - mounting Hole Plugs for use with 5" traditional drill pattern (3 set of 3 plugs)
681126	MH3 - mounting Hole Plugs for use with 3" reduced drill pattern (3 set of 3 plugs)
725841	MH2 - Mounting Hole Plugs for use with 2" reduced drill pattern (3 sets of 3 plugs)
172539	Vibration Damper - 4" Square Pole (bolt-on mount only)
172538	Vibration Damper - 5" Square Pole (bolt-on mount only)

1 - See Area Light Brackets - 3" Reduced Drill Pattern and Area Light Brackets - 5" Traditional Drill Pattern spec sheets.

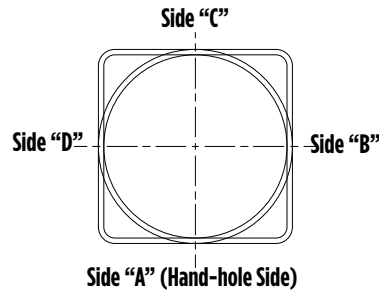
2 - Pole heights will have +/- 1/2" tolerance.

3 - See Flood Lighting Brackets section for choice of FBO brackets..



## DRILLING LOCATIONS

Sides	A	B	C	D
Hand-hole	X			
Single	X			
D180		X		X
D90	X			X
DN90 <sup>1</sup>				
T90	X	X		X
TN120 <sup>2</sup>				
Q90	X	X	X	X
QN90 <sup>3</sup>				
Single FBO	X			
Double FBO		X		X

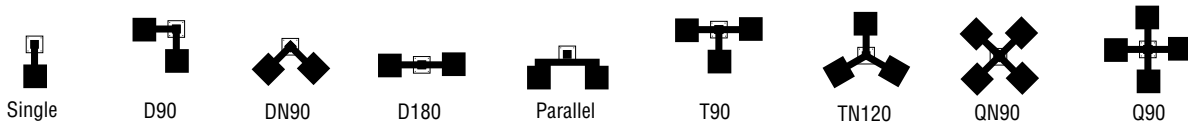


**NOTES:**

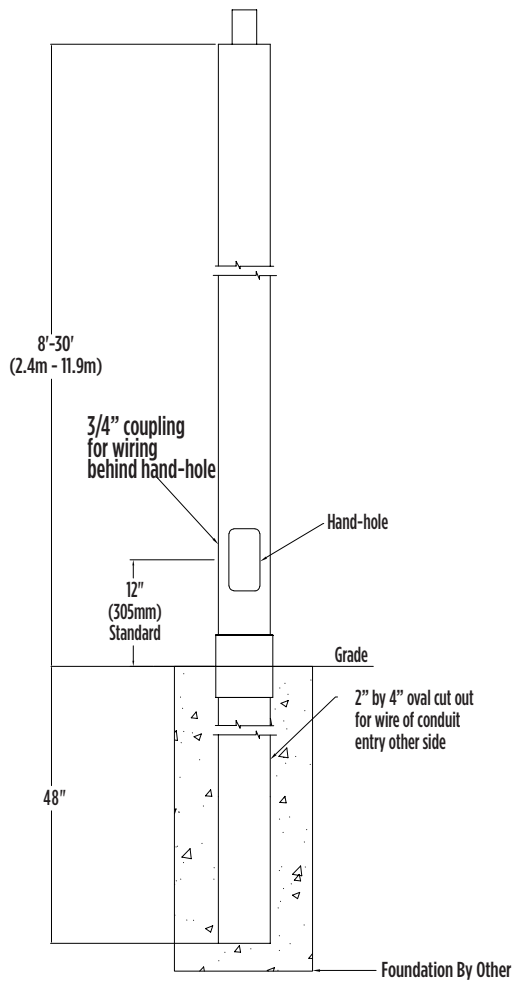
- 1 - Two locations will be 45° to the left and right of Side A.
- 2 - Other two locations will be 120° to the left and right of Side A.
- 3 - Two locations will be 45° to the left and right of Side A and two locations will be 135° to the left and right of Side A.

Consult factory for custom variations. Standard SF and DF pole preparations are located 3/4 of the height of the pole from the base, except on 20' poles. Maximum height for SF and DF pole preparations on 20' poles is 13' from the base.

## FIXTURE CONFIGURATIONS

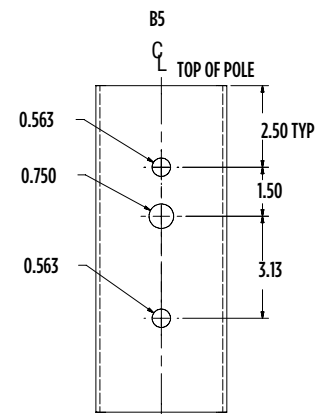
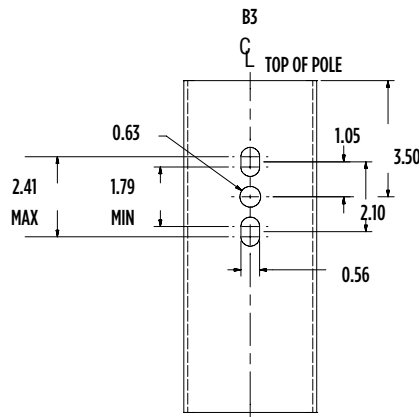
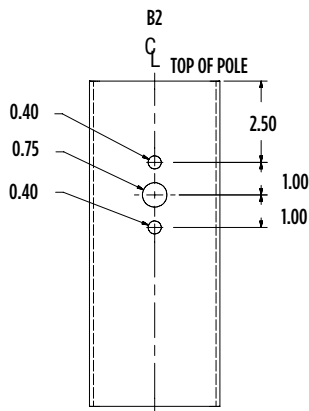


## PRODUCT DIMENSIONS



SHIPPING WEIGHTS	
4" (102mm) sq. 11 Ga. is approximately	7.50 lbs./ft.
4" (102mm) sq. 07 Ga. is approximately	10.00 lbs./ft.
5" (127mm) sq. 11 Ga. is approximately	9.00 lbs./ft.
5" (127mm) sq. 07 Ga. is approximately	12.50 lbs./ft.

### BOLT-ON MOUNT 2-BOLT PATTERN



## WIND SPEED

### EPA Information

All LSI Industries' poles are guaranteed to meet the EPA requirements listed. LSI Industries is not responsible if a pole order has a lower EPA rating than the indicated wind-loading zone where the pole will be located.

**CAUTION:** This guarantee does not apply if the pole/bracket/fixture combination is used to support any other items such as flags, pennants, or signs, which would add stress to the pole. LSI Industries cannot accept responsibility for harm or damage caused in these situations.

**NOTE:** Pole calculations include a 1.3 gust factor over steady wind velocity. Example: poles designed to withstand 80 MPH steady wind will withstand gusts to 104 MPH. EPAs are for locations 100 miles away from hurricane ocean lines. Consult LSI for other areas. Note: Hurricane ocean lines are the Atlantic and Gulf of Mexico coastal areas. For applications in Florida or Canada, consult factory.

### Use ONLY with "Wind Speed Map for ASCE 7-10

POLE <sup>1</sup>	Above Grade Mtg. Height Length (ft)	Pole Shaft Total Length (ft)	Embedment Depth (ft)	Wall Thickness (GA)	EPA								
					110 MPH	115 MPH	120 MPH	130 MPH	140 MPH	150 MPH	160 MPH	170 MPH	180 MPH
4" x 11-ga x 10'	10	14	4	11	18.5	16.7	15.1	12.6	10.6	8.9	7.6	6.5	5.5
4" x 11-ga x 12'	12	16	4	11	14.0	12.4	11.3	9.3	7.6	6.3	5.3	4.4	3.6
4" x 11-ga x 14'	14	18	4	11	10.7	9.6	8.5	6.8	5.5	4.4	3.5	2.8	2.1
4" x 11-ga x 16'	16	20	4	11	8.2	7.3	6.4	5.0	3.8	2.9	2.1	1.5	1.0
4" x 11-ga x 18'	18	22	4	11	6.3	5.4	4.7	3.4	2.4	1.6	1.0	n/a	n/a
4" x 11-ga x 20'	20	24	4	11	4.6	3.9	3.3	2.2	1.3	0.6	n/a	n/a	n/a
4" x 11-ga x 22'	22	26	4	11	9.0	7.9	5.8	4.2	3.8	2.0	1.2	0.5	n/a
4" x 7-ga x 14'	14	18	4	7	19.4	17.4	15.7	13.0	10.8	9.0	7.6	6.4	5.3
4" x 7-ga x 16'	16	20	4	7	15.6	13.9	12.5	10.2	8.3	6.8	5.6	4.5	3.7
4" x 7-ga x 18'	18	22	4	7	12.6	11.2	10.0	8.0	6.3	5.0	4.0	3.1	2.4
4" x 7-ga x 20'	20	24	4	7	10.3	9.0	7.9	6.1	4.7	3.6	2.6	1.8	1.2
4" x 7-ga x 22'	22	26	4	7	15.8	14.0	12.5	10.0	7.9	6.3	5.0	3.9	3.0
4" x 7-ga x 24'	24	28	4	7	13.3	11.7	10.4	8.1	6.3	4.8	3.6	2.6	1.8
4" x 7-ga x 26'	26	30	4	7	11.2	9.8	8.5	6.5	4.8	3.5	2.4	1.5	0.8
5" x 11-ga x 14'	14	18	4	11	17.4	15.7	14.1	11.5	9.4	7.7	6.3	5.2	4.2
5" x 11-ga x 16'	16	20	4	11	13.8	12.3	10.9	8.7	6.9	5.5	4.3	3.3	2.5
5" x 11-ga x 18'	18	22	4	11	10.8	9.6	8.4	6.5	4.9	3.7	2.6	1.8	1.1
5" x 11-ga x 20'	20	24	4	11	8.5	7.3	6.3	4.6	3.2	2.1	1.2	0.5	n/a
5" x 11-ga x 22'	22	26	4	11	13.4	11.8	10.4	8.0	6.1	4.6	3.3	2.3	1.5
5" x 11-ga x 24'	24	28	4	11	11.0	9.5	8.3	6.1	4.4	3.0	1.9	1.0	n/a
5" x 11-ga x 26'	26	30	4	11	9.0	7.7	6.5	4.5	3.0	1.7	0.7	n/a	n/a
5" x 7-ga x 20'	20	24	4	7	21.6	19.3	17.3	14.0	11.3	9.2	7.4	6.0	4.8
5" x 7-ga x 22'	22	26	4	7	26.6	23.8	21.4	17.4	14.2	11.6	9.5	7.8	6.3
5" x 7-ga x 24'	24	28	4	7	22.9	20.4	18.2	14.6	11.6	9.4	7.5	5.9	4.6
5" x 7-ga x 26'	26	30	4	7	19.6	17.4	15.4	12.1	9.5	7.4	5.7	4.3	3.1
5" x 7-ga x 28'	28	32	4	7	16.8	14.7	12.9	9.9	7.6	5.6	4.1	2.8	1.7
5" x 7-ga x 30'	30	34	4	7	14.3	12.4	10.8	8.0	5.9	4.1	2.7	1.5	0.5

All LSI Industries' poles are guaranteed to meet the EPA requirements listed. LSI Industries is not responsible if a pole order has a lower EPA rating than the indicated wind-loading zone where the pole will be located.

**CAUTION:** This guarantee does not apply if the pole/bracket/fixture combination is used to support any other items such as flags, pennants, or signs, which would add stress to the pole. LSI Industries cannot accept responsibility for harm or damage caused in these situations.

#### Note:

1- Poles shorter than these listed here in for each gauge have EPA rating equal to or greater than what is provided in this table. To Confirm EPA ratings on shorter poles, contact LSI Industries.

2- Due to geographic variability in soil conditions, LSI Industries cannot provide drilled hole diameters and depths nor recommend supporting materials filled around the pole, i.e. gravel, concrete, etc.; consult engineer for foundation details ensuring pole foundation strength, water exclusion and local code compliance.