



RPP

Round Pole Plate



FEATURES & SPECIFICATIONS

- Round Pole Plate designed to assist in flush mounting of Slice fixture family to a round pole.
- Round Pole Plate finished with LSI's

DuraGrip polyester powder coat finishing process. The DuraGrip finish withstands extreme weather changes without cracking or peeling. Other standard LSI finishes available. Consult Factory.

COMPATIBLE FIXTURES



SLM/ZNX

TYPICAL ORDER EXAMPLE: X4RPP

Prefix

- X4RPP - 4' Round Pole Plate
- X5RPP - 5' Round Pole Plate



Need more information?
[Click here for our glossary](#)

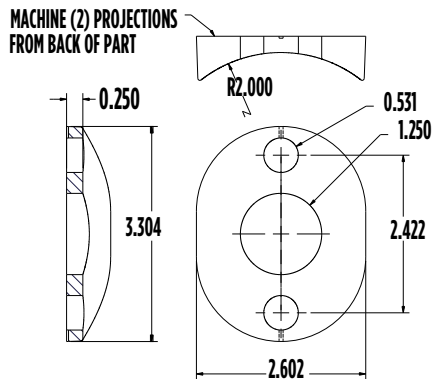
Have additional questions?
 Call us at (800) 436-7800



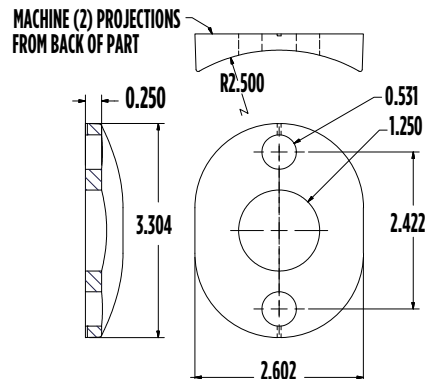
ACCESSORY ORDERING INFORMATION

Part Number	Description
379967CLR	X4RPP
379968CLR	X5RPP

PRODUCT DIMENSIONS



X4RPP



X5RPP

