



Mirada Post Top (MPH)

Outdoor LED Post Top



IP66

IK08



OVERVIEW

Lumen Package (lm)	35,000 - 72,000
Wattage Range (W)	252 - 566
Efficacy Range (LPW)	111 - 157
Weight lbs (kg)	60 (27)

QUICK LINKS

FEATURES & SPECIFICATIONS

Construction

- Rugged die-cast aluminum optical housing, cage, and fitter. Fitter contains factory pre-wired drivers and optional controls.
- Complete die-cast aluminum construction for maximum quality and surface finish.
- 1-PC die-cast aluminum cage with wire passages allows for IP66 full luminaire rating to protect integral components from harsh environments.
- Fixtures are finished with LSI's DuraGrip® polyester powder coat finishing process. The DuraGrip finish withstands extreme weather changes without cracking or peeling. Other standard LSI finishes available. Consult factory.
- Shipping weight: 60 lbs in carton.

Optical System

- State-of-the-Art one piece silicone optic sheet delivers industry leading optical control with an integrated gasket.
- Proprietary silicone refractor optics provide exceptional coverage and uniformity in IES Types 2, 3, 5W, FT, FTA and AM.
- Silicone optical material does not yellow or crack with age and provides a typical light transmittance of 93%.
- Available in 5000K, 4000K, and 3000K color temperatures per ANSI C78.377.
- Minimum CRI of 70
- Integral louver (IL) and house-side shield (IH) options available for improved back-light control without sacrificing street side performance. See page 7 for more details.

- Minimal uplight with less than 5% of the total lumen output going above 90°.

Electrical

- High-performance programmable driver features over-voltage, undervoltage, short-circuit and over temperature protection. Custom lumen and wattage packages available.
- 0-10V dimming (10% - 100%) standard.
- Standard Universal Voltage (120-277 Vac) Input 50/60 Hz or optional High Voltage (347-480 Vac).
- L92 Calculated Life: >100K Hours (See Lumen Maintenance on Page 3)
- Total harmonic distortion: <20%
- Operating temperature: -40°C to +50°C (-40°F to +122°F). 72L and 78L packages are limited to 40°C.
- Power factor: >.90
- Input power stays constant over life.
- Field replaceable surge protection device meets a minimum Category C Low operation (per ANSI/IEEE C62.41.2).
- High-efficacy LEDs mounted to metal-core circuit board to maximize heat dissipation
- Components are fully encased in potting material for moisture resistance. Driver complies with FCC standards.
- Internal power supplies and controls can be serviced via (2) integral fitter removable power trays.

Installation

- Designed to mount to 2-3/8"-3" OD x 3" to 4-1/2" tall tenon.
- Secures to tenon with 8 stainless steel set screws.
- 6' wire leads with strain relief zip-ties are provided in fitter for ease of wiring.

Warranty

- LSI luminaires carry a 5-year limited warranty. Refer to website for details.

Listings

- Listed to UL 1598 and UL 8750.
- Title 24 Compliant; see local ordinance for qualification information.
- Suitable for wet Locations
- IP66 rated Luminaire per IEC 60598.
- 3G rated for ANSI C136.31 high vibration applications.
- IK08 rated luminaire per IEC 66262 mechanical impact code.
- DesignLights Consortium® (DLC) Premium qualified product. Not all versions of this product may be DLC Premium qualified. Please check the DLC Qualified Products List at www.designlights.org/QPL to confirm which versions are qualified.



ORDERING GUIDE

TYPICAL ORDER EXAMPLE: MPH LED 45L SIL FTA UNV DIM 40 70CRI ALSC BLK IH						
Prefix	Light Source	Lumen Package	Light Output	Distribution	Voltage	Driver
MPH - Mirada Post Top High Lumen	LED	35L - 35,000 lm 45L - 45,000 lm 55L - 55,000 lm 65L - 65,000 lm 72L - 72,000 lm Custom Lumen Packages ⁸	SIL - Silicone	2 - Type 2 3 - Type 3 5W - Type 5 Wide FT - Forward Throw FTA - Forward Throw Automotive AM - Automotive Merchandise	UNV - Universal Voltage (120-277V) HV - High Voltage (347-480V)	DIM - 0-10V Dimming ²
Color Temperature	Color Rendering	Controls (Choose One)		Finish	Options	
50 - 5000K 40 - 4000K 30 - 3000K	70CRI - 70 CRI	(Blank) - None <u>Wireless Controls System</u> ALSC - AirLink Synapse Control System <u>Stand-Alone Controls</u> EXT - 0-10v Dimming (from external signal) CR7P - 7 Pin Control Receptacle ANSI C136.41 ¹		BLK - Black BRZ - Dark Bronze GMG - Gun Metal Gray GPT - Graphite MSV - Metallic Silver PLP - Platinum Plus SVG - Satin Verde Green WHT - White	Blank - None IH - Integral Houseside Shield ² IL - Integral Louver (Sharp Spill Light Cutoff) ²	



Need more information?
Click here for our glossary

Have additional questions?
Call us at (800) 436-7800



ACCESSORY ORDERING INFORMATION³

Controls Accessories	
Part Number	Description
122514	PC120 Photocell for use with CR7P option (120V) ⁴
122515	PC208-277 Photocell for use with CR7P option (208V, 240V, 277V) ⁴
122516	Twist Lock Photocell (347V) for use with CR7P ⁴
1225180	Twist Lock Photocell (480V) for use with CR7P ⁴
663284CLR	PMOS24 - 24V Pole-Mount Occupancy Sensor ^{5,6}
61409	AirLink 5 Pin Twist Lock Controller ⁴
661410	AirLink 7 Pin Twist Lock Controller ⁴
149328	Shorting Cap for use with CR7P ⁴

Fusing Accessories	
Part Number	Description
FK120	Single Fusing (120V)
FK277	Single Fusing (277V)
DFK240	Double Fusing (208V,240V)
DFK347	Double Fusing (347V)
DFK480	Double Fusing (480V)

Mounting Accessories	
Part Number	Description
693664CLR	WM Wall Mount Bracket ⁵
693665CLR	BK MPT B0 Mount ⁵
694638CLR	Internal Tenon Adapter For 4" Square Pole ⁵
694641CLR	Internal Tenon Adapter 5" Square Pole ⁵
694642CLR	Internal Tenon Adapter 6" Square Pole ⁵
694643CLR	External Tenon Adapter 3" Round Pole ⁵
694644CLR	External Tenon Adapter 3-1/2" RoundTapered Pole ⁵
694645CLR	External Tenon Adapter 4" RoundTapered Pole ⁵

Shielding Accessories	
Part Number	Description
743417	IH - Integral House Side Shield
743423	IL - Integral Louver (Sharp Spill Light Cutoff)

1 - Control device or shorting cap must be ordered separately. See Accessory Ordering Information.

2 - Not available with 5W distribution

3 - Accessories are shipped separately and field installed.

4 - Factory installed CR7P option required. See Options.

5 - "CLR" denotes finish. See Finish options.

6 - Only available with ALSC/ALSCH control options.

7 - Fusing must be located in hand hole of pole.

8 - Custom lumen and wattage packages available consult factory. Values are within industry standard tolerances but not DLC listed.

Mirada Post Top (MPH)

Type : _____

 Have questions? Call us at (800) 436-7800

PERFORMANCE

Delivered Lumens												
Lumen Package	Distribution	CRI	3000K CCT			4000K CCT			5000K CCT			Wattage
			Delivered Lumens	Efficacy	BUG Rating	Delivered Lumens	Efficacy	BUG Rating	Delivered Lumens	Efficacy	BUG Rating	
35L	2	70	34435	137	B4 U5 G4	37402	148	B4 U5 G4	35626	141	B4 U5 G4	252
	3		35934	143	B4 U5 G4	39031	155	B4 U5 G4	37177	148	B4 U5 G4	
	5W		36535	145	B5 U5 G4	38000	151	B5 U5 G4	37790	150	B5 U5 G4	
	FT		35381	140	B4 U5 G4	38430	153	B4 U5 G4	36605	145	B4 U5 G4	
	FTA		35863	142	B4 U5 G4	38953	155	B4 U5 G4	37103	147	B4 U5 G4	
	AM		36409	144	B3 U5 G3	39546	157	B3 U5 G3	37668	149	B3 U5 G3	
45L	2	70	45148	122	B5 U5 G4	49039	133	B5 U5 G4	46710	127	B5 U5 G4	369
	3		47115	128	B4 U5 G5	51175	139	B4 U5 G5	48745	132	B4 U5 G5	
	5W		45870	124	B5 U5 G4	49823	135	B5 U5 G4	47456	129	B5 U5 G4	
	FT		46390	126	B4 U5 G5	50388	137	B4 U5 G5	47995	130	B4 U5 G5	
	FTA		47021	127	B4 U5 G4	41074	138	B5 U5 G4	48648	132	B5 U5 G4	
	AM		47737	129	B3 U5 G4	51850	141	B4 U5 G4	49388	134	B4 U5 G4	
55L	2	70	51855	118	B5 U5 G4	56323	129	B5 U5 G4	53648	122	B5 U5 G4	438
	3		54114	124	B5 U5 G5	58778	134	B5 U5 G5	55986	128	B5 U5 G5	
	5W		52683	120	B5 U5 G4	57224	131	B5 U5 G5	54506	124	B5 U5 G4	
	FT		53282	122	B4 U5 G5	57874	132	B5 U5 G5	55125	126	B5 U5 G5	
	FTA		54006	123	B5 U5 G4	58659	134	B5 U5 G5	55873	128	B5 U5 G4	
	AM		54828	125	B4 U5 G4	59553	136	B4 U5 G4	56724	130	B4 U5 G4	
65L	2	70	59783	112	B5 U5 G5	64935	122	B5 U5 G5	61851	116	B5 U5 G5	533
	3		62387	117	B5 U5 G5	67764	127	B5 U5 G5	64545	121	B5 U5 G5	
	5W		60739	114	B5 U5 G5	65973	124	B5 U5 G5	62839	118	B5 U5 G5	
	FT		61428	115	B5 U5 G5	66722	125	B5 U5 G5	63553	119	B5 U5 G5	
	FTA		62263	117	B5 U5 G5	67628	127	B5 U5 G5	64416	121	B5 U5 G5	
	AM		63210	119	B5 U5 G5	68658	129	B5 U5 G5	65397	123	B5 U5 G5	
72L	2	70	62712	111	B5 U5 G5	68117	120	B5 U5 G5	64882	115	B5 U5 G5	566
	3		65445	116	B5 U5 G5	71085	126	B5 U5 G5	67708	120	B5 U5 G5	
	5W		63715	113	B5 U5 G5	69207	122	B5 U5 G5	65919	116	B5 U5 G5	
	FT		64438	114	B5 U5 G5	69992	124	B5 U5 G5	66667	118	B5 U5 G5	
	FTA		65314	115	B5 U5 G5	70943	125	B5 U5 G5	67573	119	B5 U5 G5	
	AM		66308	117	B5 U5 G5	72023	127	B5 U5 G5	68601	121	B5 U5 G5	

*LEDs are frequently updated therefore values are nominal.

Electrical Data (AMPS)*							
Lumens	Watts	120V	208V	240V	277V	347V	480V
35L	294	2.5A	1.4A	1.2A	1.1A	0.8A	0.6A
45L	406	3.4A	2.0A	1.7A	1.5A	1.2A	0.8A
55L	488	4.1A	2.3A	2.0A	1.8A	1.4A	1.0A
65L	589	4.9A	2.8A	2.5A	2.1A	1.7A	1.2A
72L	649	5.4A	3.1A	2.7A	2.3A	1.9A	1.4A

*Electrical data at 25C (77F). Actual wattage may differ by +/-10%

Recommended Lumen Maintenance ¹					
Ambient	Initial ²	25h ²	50h ²	75h ²	100h ²
0-40 C	100%	100%	97%	94%	92%

1 - Lumen maintenance values at 25C are calculated per TM-21 based on LM-80 data and in-situ testing.
 2 - In accordance with IESNA TM-21-11, Projected Values represent interpolated value based on time durations that are within six times the IESNA LM-80-08 total test duration for the device under testing.
 3 - In accordance with IESNA TM-21-11, Calculated Values represent time durations that exceed six times the IESNA LM-80-08 total test duration for the device under testing

Mirada Post Top (MPH)

Type : _____

 Have questions? Call us at (800) 436-7800

PHOTOMETRICS

Luminaire photometry has been conducted by a NVLAP accredited testing laboratory in accordance with IESNA LM-79-08. As specified by IESNA LM-79-08 the entire luminaire is tested as the source resulting in a luminaire efficiency of 100%.

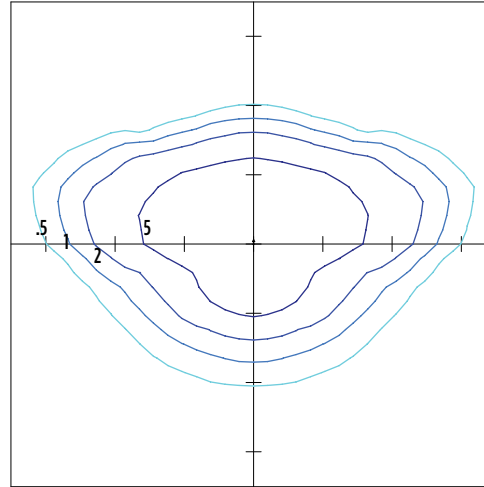
See the individual product page on <https://www.lsicorp.com/> for detailed photometric data.

MPH-LED-65L-SIL-2-40-70CRI

Luminaire Data	
Type 2 Distribution	
Description	4000 Kelvin, 70 CRI
Delivered Lumens	66,337
Watts	589
Efficacy	113
IES Type	Type II - Short
BUG Rating	B5-U5-G5

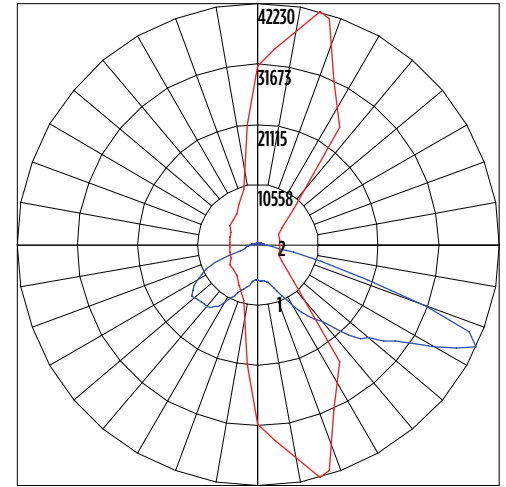
Zonal Lumen Summary		
Zone	Lumens	% Luminaire
Low (0-30°)	7267	10.9%
Medium (30-60°)	3810	57.4%
High (60-80°)	16531	24.9%
Very High (80-90°)	1435	2.2%
Uplight (90-180°)	3037	4.6%
Total Flux	66377	100%

ISO Footcandle



30' Mounting Height / 30' Grid Spacing
 ■ 5 FC ■ 2 FC ■ 1 FC ■ 0.5 FC

Polar Curve



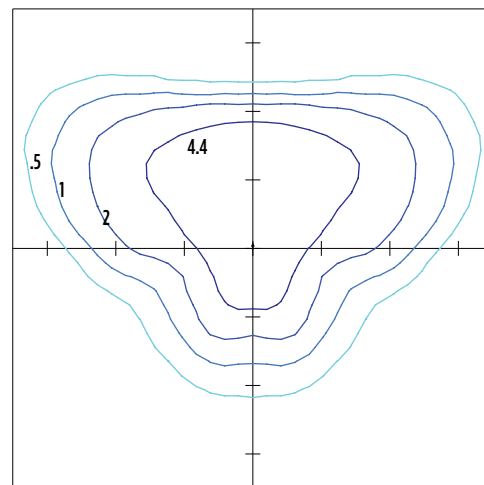
■ Vertical Plane ■ Horizontal Cone

MPH-LED-65L-SIL-3-40-70CRI

Luminaire Data	
Type 3 Distribution	
Description	4000 Kelvin, 70 CRI
Delivered Lumens	67,63
Watts	589
Efficacy	115
IES Type	Type III - Medium
BUG Rating	B5-U5-G5

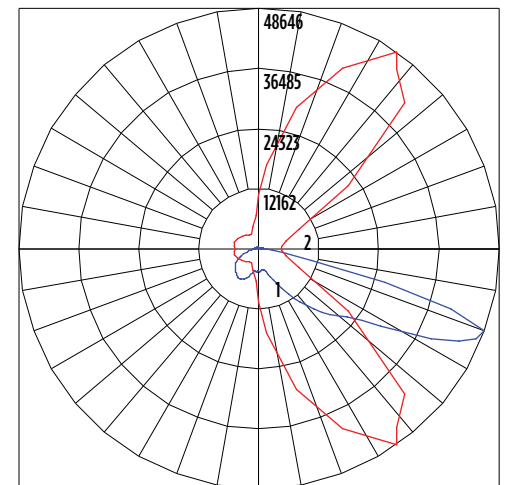
Zonal Lumen Summary		
Zone	Lumens	% Luminaire
Low (0-30°)	5196	8%
Medium (30-60°)	31806	47%
High (60-80°)	26532	39%
Very High (80-90°)	1602	2%
Uplight (90-180°)	2498	4%
Total Flux	67634	100%

ISO Footcandle



30' Mounting Height / 30' Grid Spacing
 ■ 5 FC ■ 2 FC ■ 1 FC ■ 0.5 FC

Polar Curve



■ Vertical Plane ■ Horizontal Cone

Mirada Post Top (MPH)

Type : _____

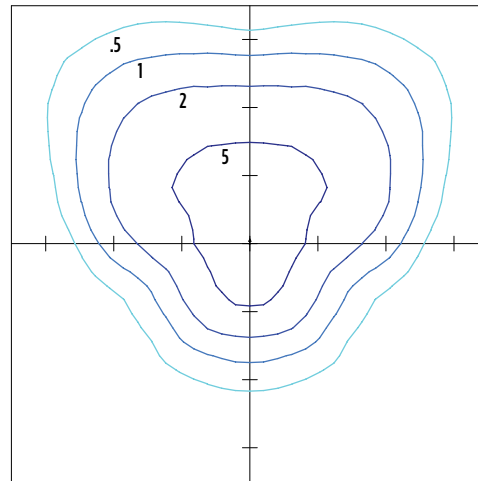
 Have questions? Call us at (800) 436-7800

PHOTOMETRICS

MPH-LED-65L-SIL-FT-40-70CRI

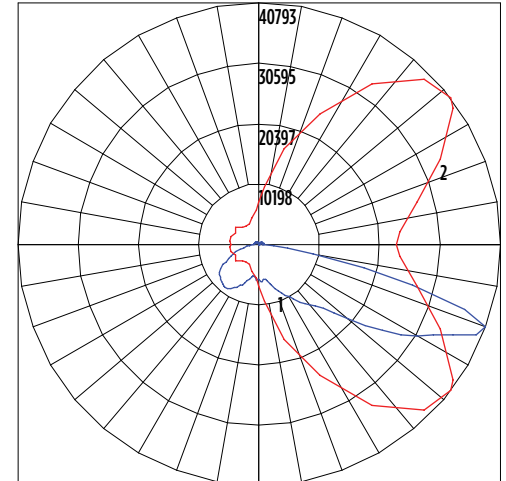
Luminaire Data		
Type FT Distribution		
Description	4000 Kelvin, 70 CRI	
Delivered Lumens	67,577	
Watts	589	
Efficacy	115	
IES Type	Type IV - Short	
BUG Rating	B5-U5-G5	
Zonal Lumen Summary		
Zone	Lumens	% Luminaire
Low (0-30°)	6426	10%
Medium (30-60°)	29332	43%
High (60-80°)	27145	40%
Very High (80-90°)	2011	3%
Uplight (90-180°)	2663	4%
Total Flux	67577	100%

ISO Footcandle



30° Mounting Height / 30° Grid Spacing
 ■ 5 FC ■ 2 FC ■ 1 FC ■ 0.5 FC

Polar Curve

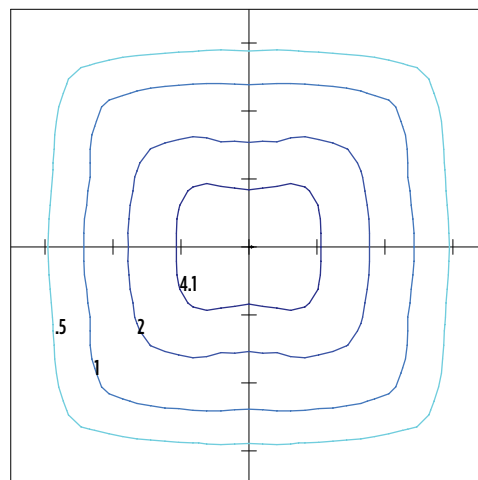


■ Vertical Plane ■ Horizontal Cone

MPH-LED-65L-SIL-5W-40-70CRI

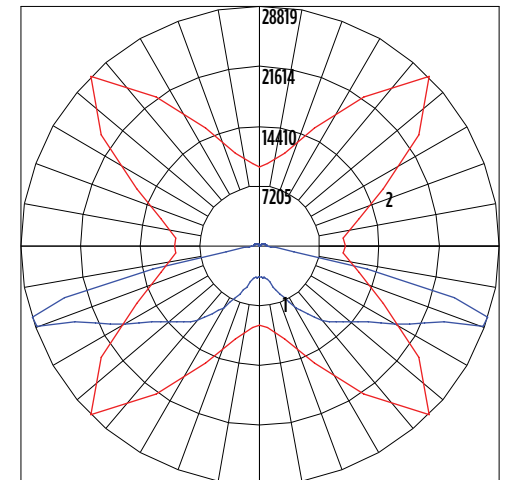
Luminaire Data		
Type FW Distribution		
Description	4000 Kelvin, 70 CRI	
Delivered Lumens	64,84	
Watts	589	
Efficacy	110	
IES Type	Type VS - Short	
BUG Rating	B5-U5-G5	
Zonal Lumen Summary		
Zone	Lumens	% Luminaire
Low (0-30°)	4946	8%
Medium (30-60°)	27141	42%
High (60-80°)	29104	45%
Very High (80-90°)	1288	2%
Uplight (90-180°)	2369	4%
Total Flux	6484	100%

ISO Footcandle



30° Mounting Height / 30° Grid Spacing
 ■ 5 FC ■ 2 FC ■ 1 FC ■ 0.5 FC

Polar Curve



■ Vertical Plane ■ Horizontal Cone

Mirada Post Top (MPH)

Type : _____

 Have questions? Call us at (800) 436-7800

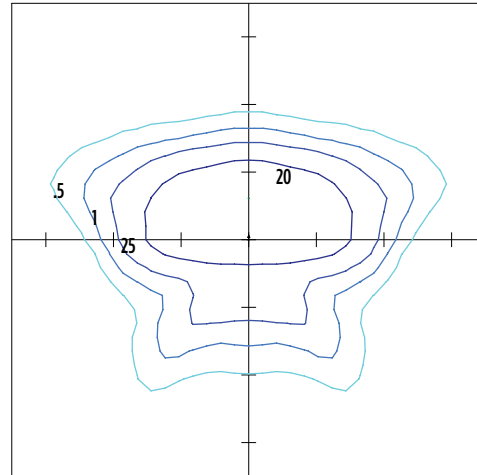
PHOTOMETRICS

MPH-LED-65L-SIL-FTA-40-70CRI

Luminaire Data	
Type FTA Distribution	
Description	4000 Kelvin, 70 CRI
Delivered Lumens	67,083
Watts	589
Efficacy	114
IES Type	Type II - Short
BUG Rating	B5-U5-G5

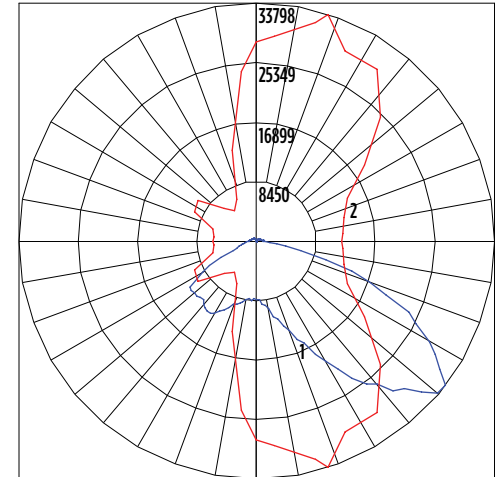
Zonal Lumen Summary		
Zone	Lumens	% Luminaire
Low (0-30°)	9883	15%
Medium (30-60°)	38955	58%
High (60-80°)	13048	19%
Very High (80-90°)	1672	2%
Uplight (90-180°)	3525	5%
Total Flux	67083	100%

ISO Footcandle



30' Mounting Height / 30' Grid Spacing
 ■ 5 FC ■ 2 FC ■ 1 FC ■ 0.5 FC

Polar Curve



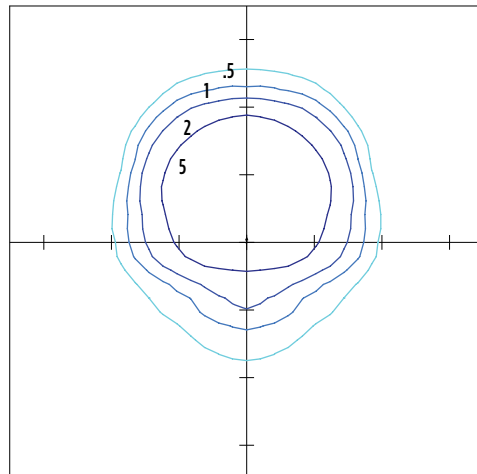
■ Vertical Plane ■ Horizontal Cone

MPH-LED-65L-SIL-AM-40-70CRI

Luminaire Data	
Type AM Distribution	
Description	4000 Kelvin, 70 CRI
Delivered Lumens	63,033
Watts	589
Efficacy	107
IES Type	Type III - Very Short
BUG Rating	B4-U5-G5

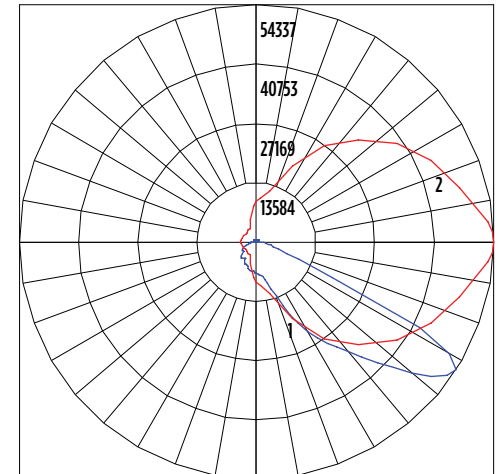
Zonal Lumen Summary		
Zone	Lumens	% Luminaire
Low (0-30°)	8415	13%
Medium (30-60°)	38519	61%
High (60-80°)	11332	18%
Very High (80-90°)	1532	2%
Uplight (90-180°)	3237	5%
Total Flux	63033	100%

ISO Footcandle



30' Mounting Height / 30' Grid Spacing
 ■ 5 FC ■ 2 FC ■ 1 FC ■ 0.5 FC

Polar Curve



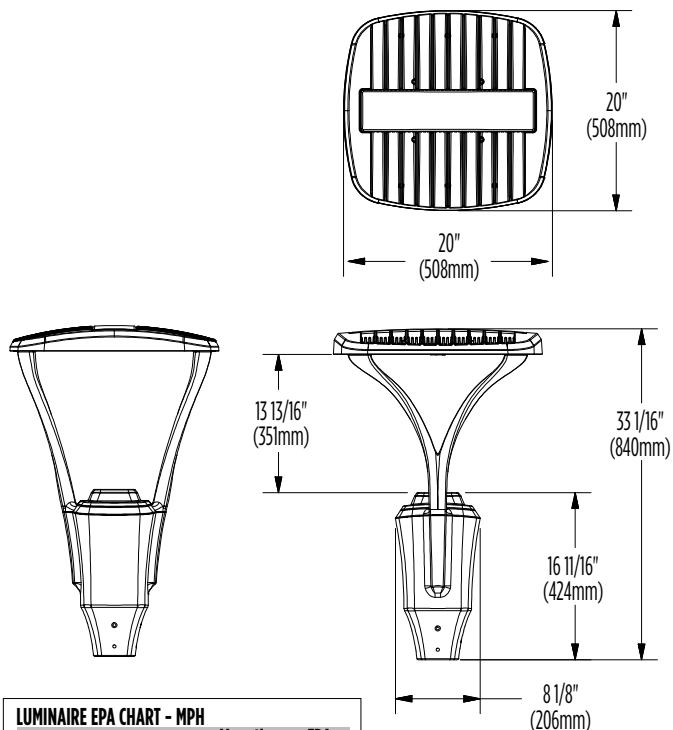
■ Vertical Plane ■ Horizontal Cone



Mirada Post Top (MPH)

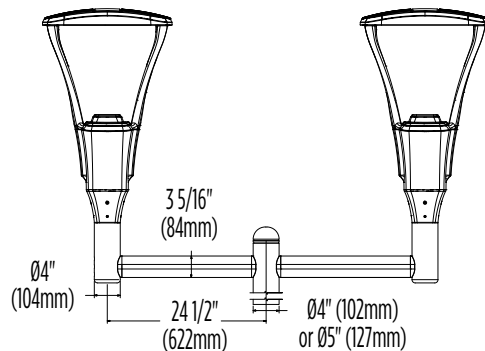
Type : _____

 Have questions? Call us at (800) 436-7800

PRODUCT DIMENSIONS

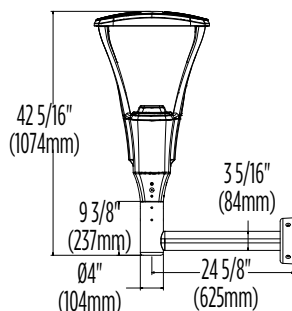


LUMINAIRE EPA CHART - MPH		
	Mounting	EPA
 PT Single	PT	1.0
 PT D180° with BK MPT B0 (2)	PT	2.0



BK MPT B0 Mount

Optional D180 1.5G rated Arm Assembly Mounts to 4" or 5" Dia. D180 Bolt-on Pole Consult factory for alternate configurations



WM Wall Mount Bracket

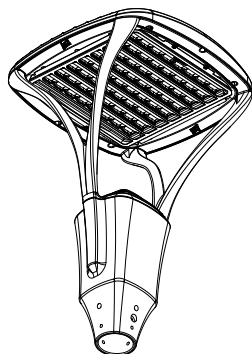
1.5G rated Wall Mount Arm mounts to standard 4" steel J-Box (Supplied by others) and is provided with masonry anchors for extra support.

ACCESSORIES & OPTIONS

Integral Louver (IL) and House-Side Shield (IH)

Accessory louver and shield available for improved backlight control without sacrificing street side performance. LSI's Integral Louver (L) and Integral House-Side Shield (IH) options deliver backlight control that significantly reduces spill light behind the poles for applications with pole locations close to adjacent properties. The design maximizes forward reflected light while reducing glare, maintaining the optical distribution selected, and most importantly eliminating light trespass. Both options rotate with the optical distribution.

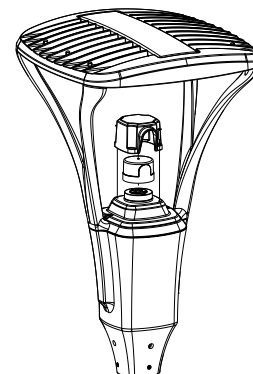
Luminaire Shown with Integral Louver (IL)



7 Pin Photoelectric Control

7-pin ANSI C136.41-2013 control receptacle option available for twist lock photocontrols with standard cast aluminum dog-house to shield the photocell from the luminaire's emitted light. Control accessories sold separately. Dimming leads from the receptacle will be connected to the driver dimming leads (Consult factory for alternate wiring).

Fixture Shown with CR7P



CONTROLS

AirLink Wireless Lighting Controller

The AirLink integrated controller is a California Title 24 compliant lighting controller that provides real-time light monitoring and control with utility-grade power monitoring. It includes a 24V sensor input and power supply to connect a sensor into the outdoor AirLink wireless lighting system. The wireless integrated controller is compatible with this fixture.

[Click here to learn more about AirLink.](#)

POLES & BRACKETS

LSI offers a full line of poles and mounting accessories to complete your lighting assembly. Aluminum and steel in both square and round shafts. In addition, LSI offers round tapered, fluted and hinge based poles. Designed and engineered for durability and protected with our oven baked DuraGrip Protection System. Also available with our DuraGrip+ Protection system for unmatched corrosion resistance and an extended warranty. American made in our Ohio facility with industry leading lead times.

[Click here to learn more details about poles & brackets.](#)



Square Internal Tenon Adaptor

The Square Pole Tenon 4", 5", & 6" Adaptors allow for the Mirada Post Top to be mounted on a square open top steel pole. Tenon adaptors slide into pole and bolt through for securing the tenon to the pole. These tenons are made hearty steel tubing, are double-welding and are painted with LSI- Duragrip Paint. Shipped with mounting



Round External Tenon Adaptor

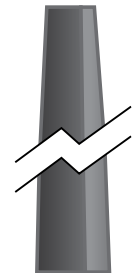
The Round Pole Top Tenon adaptors provide the right size tenon to ensure proper mounting of the Mirada Post Top onto Round tapered or straight poles. These tenons are made from hearty steel tubing, are double-welding, and are painted with LSI-Duragrip Paint. Shipped with



Square Pole
14'-39'



Round Pole
10'-30'



Tapered Pole
20'-39'