



# Lexington (LXM4)

## LED Decorative Post Top & Area Light



### OVERVIEW

|                      |                |
|----------------------|----------------|
| Lumen Package (lm)   | 4,000 - 27,000 |
| Wattage Range (W)    | 39 - 228       |
| Efficacy Range (LPW) | 100 - 140      |
| Weight lbs (kg)      | 64 (29)        |

### QUICK LINKS

## FEATURES & SPECIFICATIONS

### Construction

- Rugged die-cast aluminum housing.
- Cast aluminum wiring access door located in lower hub/fitter.
- Rigid die-cast aluminum arms for consistency and strength.
- Precision die cast aluminum heatsink and optical frame.
- Removable spun aluminum cap/driver enclosure is retained by captive stainless steel fasteners and safety cables. Housing and top cap interface is sealed with a one-piece extruded silicone gasket. Tool-less entry option is available.
- All exposed fasteners are black oxide coated stainless steel. Internal fasteners are stainless steel or zinc electroplated steel.
- IP65 rated luminaire protects integral components from harsh environments.
- 1.5G rated for ANSI C136.31 high vibration applications
- Fixtures are finished with LSI's DuraGrip® polyester powder coat finishing process. The DuraGrip finish withstands extreme weather changes without cracking or peeling. Other standard LSI finishes available. Consult factory.

### Optical System

- State-of-the-Art one piece silicone optic sheet delivers industry leading optical control with an integrated gasket to provide IP66 rated sealed optical chamber in 1 component.
- Proprietary silicone refractor optics provide exceptional coverage and uniformity in IES Types 2, 3, 5W and FT.

- Silicone optical material does not yellow or crack with age and provides a minimum light transmittance of 93%.
- Optical distributions are field rotatable (in 90° increments).
- Available in 5000K, 4000K, and 3000K (+/- 275K) color temperatures.
- Minimum CRI of 70. Consult Factory for Higher CRI requirements.
- Integral Louver (IL) option available for improved back-light control without sacrificing street side performance.

### Electrical

- High-performance driver features over-voltage, under-voltage, short-circuit and over temperature protection.
- 0-10V dimming (10% - 100%) standard.
- Standard Universal Voltage (120-277 Vac) Input 50/60 Hz or optional High Voltage (347-480 Vac).
- L70 Calculated Life: >100k Hours (See Lumen Maintenance on Page 2)
- Total harmonic distortion: <20%
- Operating temperature: - -40°C to +50°C (-40°F to +122°F)
- Power factor: >.90
- Input power stays constant over life.
- Field replaceable surge protection device meets a minimum Category C Low operation (per ANSI/IEEE C62.41.2).
- High-efficacy LEDs mounted to metal-core circuit board to maximize heat dissipation
- Terminal block provided accepts up to 10ga wire, however the luminaire is supplied with a 32' 3 conductor wire harness.

- Components are fully encased in potting material for moisture resistance. Driver complies with FCC standards. Driver and key electronic components can easily be accessed.

### Controls

- Optional integral passive infrared Bluetooth™ motion and photocell sensor. Fixtures operate independently and can be commissioned via iOS or Android configuration app (See controls page for more detail).

### Installation

- Mounts to 4" O.D. pole or tenon.
- Secures to pole with 6 stainless steel set screws.
- 32' wire leads are provided bundled in the slip fitter hub for ease of wiring.

### Warranty

- LSI luminaires carry a 5-year limited warranty. Refer to <https://www.lsicorp.com/resources/terms-conditions-warranty/> for more information.

### Listings

- Listed to UL 1598 and UL 8750
- State of California Title 24
- IDA compliant; with 3000K color temperature selection.
- Meets Buy American Act requirements
- Suitable For wet Locations
- IP65 rated Luminaire. IP66 rated optical chamber.
- 1.5G rated for ANSI C136.31 high vibration applications

## ORDERING GUIDE

| TYPICAL ORDER EXAMPLE: LXM4 PT LED 3 18L 50 UNV BLK IMSBT1L |               |   |              |  |  |  |   |  |  |
|---|---------------|---|--------------|--|--|--|---|--|--|
| Prefix  | Mounting      | Distribution  | Light Source | Lumen Package  | Color Temperature                      | Voltage  | Finish  | Option Controls  | Options                                  |
| LXM4 - Lexington  | PT - Post Top | 2 - Type II<br>3 - Type III<br>5W - Type 5 Wide<br>FT - Forward Throw (Type IV) | LED          | 5L - 5,000 Lumens<br>10L - 10,000 Lumens<br>18L - 18,000 Lumens<br>25L - 25,000 Lumens | 30 - 3000K<br>40 - 4000K<br>50 - 5000K | UNV - Universal Voltage (120-277V)<br>HV - High Voltage (347-480V) | BRZ - Bronze<br>BLK - Black<br>GPT - Graphite<br>MSV - Metallic Silver<br>WHT - White<br>PLP - Platinum Plus<br>SVG - Satin Verde Green | Stand-Alone Control (Blank) - None<br><br>IMSBT1L - Integral Bluetooth™ Motion and Photocell Sensor (8 - 24' mounting height) <sup>3</sup><br>IMSBT2L - Integral Bluetooth™ Motion and Photocell Sensor (25 - 40' mounting height) <sup>3</sup><br>ALBCS1 - AirLink Blue Wireless Motion & Photo Sensor Controller (8-24' MH)<br>ALBCS2 - AirLink Blue Wireless Motion & Photo Sensor Controller (25-40' MH) | IL - Integral Louver Shield <sup>4</sup> |



**Need more information?**  
[Click here for our glossary.](#)

**Have additional questions?**  
 Call us at (800) 436-7800



## ACCESSORY ORDERING INFORMATION

| Part Number            | Description   |
|------------------------|---|
| 490025CLR <sup>2</sup> | BK MPT B04 - Bolt on Bracket (for PT 180) For 4" O.D. Round Poles           |
| 490035CLR <sup>2</sup> | BK MPT B05 - Bolt on Bracket (for PT 180) For 5" O.D. Round Poles           |
| 654939                 | IL - Integral Louver Shield (Black only)                                    |
| 356044                 | WM - Post top wall mount bracket (bronze) C/F for additional finish options |

| Part Number              | Description  |
|--------------------------|--|
| FK120 <sup>1</sup>       | FK120 Single Fusing (120V)                         |
| FK277 <sup>1</sup>       | FK277 Single Fusing (277V)                         |
| DFK208, 240 <sup>1</sup> | DFK208,240 Double Fusing (208V, 240V)              |
| DFK480 <sup>1</sup>      | DFK480 Double Fusing (480V)                        |
| FK347 <sup>1</sup>       | FK347 Single Fusing (347V)                         |
| 661409                   | ALSC UNV TL5 - AirLink 5 Pin Twist Lock Controller |
| 661410                   | ALSC UNV TL7 - AirLink 7 Pin Twist Lock Controller |

1. Fusing must be located in hand hole of pole.  
 2. Order poles with 3" reduced drilling pattern. For PT mounting configurations other than D180, consult factory. Order one bracket per fixture

3. Consists of a daylight & motion dual sensor. Field configurable via the LSI app that can be downloaded from your smartphone's native app store.  
 4. Not available with type 5W distribution.

## PERFORMANCE

| Delivered Lumens* |              |                  |          |            |                  |          |            |                  |          |            |         |
|-------------------|--------------|------------------|----------|------------|------------------|----------|------------|------------------|----------|------------|---------|
| Lumen Package     | Distribution | 3000K CCT        |          |            | 4000K CCT        |          |            | 5000K CCT        |          |            | Wattage |
|                   |              | Delivered Lumens | Efficacy | BUG Rating | Delivered Lumens | Efficacy | BUG Rating | Delivered Lumens | Efficacy | BUG Rating |         |
| 5L                | 2            | 4568             | 117      | B2-U1-G1   | 5047             | 129      | B2-U1-G1   | 5297             | 136      | B2-U1-G1   | 39      |
|                   | 3            | 4697             | 120      | B1-U1-G2   | 5189             | 132      | B1-U1-G2   | 5447             | 140      | B1-U1-G2   |         |
|                   | FT           | 4575             | 117      | B1-U1-G2   | 5054             | 129      | B1-U1-G2   | 5305             | 136      | B1-U1-G2   |         |
|                   | 5W           | 4602             | 118      | B3-U1-G1   | 5084             | 130      | B3-U1-G1   | 5336             | 137      | B3-U1-G1   |         |
| 10L               | 2            | 9100             | 117      | B2-U2-G2   | 10054            | 130      | B2-U2-G2   | 10553            | 135      | B2-U2-G2   | 78      |
|                   | 3            | 9360             | 120      | B2-U2-G2   | 10341            | 134      | B2-U2-G2   | 10854            | 139      | B2-U2-G2   |         |
|                   | FT           | 9107             | 117      | B2-U2-G2   | 10061            | 130      | B2-U2-G2   | 10560            | 135      | B2-U2-G2   |         |
|                   | 5W           | 9152             | 120      | B4-U2-G2   | 10020            | 130      | B4-U2-G2   | 10517            | 135      | B4-U2-G2   |         |
| 18L               | 2            | 16650            | 112      | B3-U2-G3   | 18113            | 122      | B3-U2-G3   | 19012            | 128      | B3-U2-G3   | 149     |
|                   | 3            | 17108            | 115      | B3-U2-G3   | 18756            | 126      | B3-U2-G3   | 19687            | 132      | B3-U2-G3   |         |
|                   | FT           | 16725            | 112      | B3-U2-G3   | 18336            | 123      | B3-U2-G3   | 19246            | 129      | B3-U2-G3   |         |
|                   | 5W           | 16810            | 113      | B4-U2-G2   | 18429            | 124      | B4-U2-G2   | 19344            | 130      | B4-U2-G2   |         |
| 25L               | 2            | 22952            | 102      | B4-U2-G3   | 25057            | 110      | B4-U2-G3   | 26301            | 115      | B4-U2-G3   | 228     |
|                   | 3            | 23544            | 103      | B3-U2-G3   | 25921            | 114      | B3-U2-G3   | 27208            | 119      | B3-U2-G3   |         |
|                   | FT           | 22902            | 100      | B3-U2-G4   | 25215            | 111      | B3-U2-G4   | 26466            | 116      | B3-U2-G4   |         |
|                   | 5W           | 23612            | 104      | B5-U2-G3   | 25996            | 114      | B5-U2-G3   | 27286            | 120      | B5-U2-G3   |         |

\*LEDs are frequently updated therefore values are nominal.

| Electrical Data (Amps)* |         |      |      |      |      |      |      |
|-------------------------|---------|------|------|------|------|------|------|
| Lumen Package           | Wattage | 120V | 208V | 240V | 277V | 347V | 480V |
| 5L                      | 39      | 0.33 | 0.19 | 0.16 | 0.14 | 0.11 | 0.08 |
| 10L                     | 78      | 0.65 | 0.38 | 0.33 | 0.28 | 0.22 | 0.16 |
| 18L                     | 149     | 1.24 | 0.72 | 0.62 | 0.54 | 0.43 | 0.31 |
| 25L                     | 228     | 1.90 | 1.10 | 0.95 | 0.82 | 0.66 | 0.48 |

\*Electrical data at 25C (77F). Actual wattage may differ by +/-10%.

| Recommended Lumen Maintenance <sup>1</sup> |                      |                     |                     |                     |                      |
|--|----------------------|---------------------|---------------------|---------------------|----------------------|
| Ambient Temp C                             | Initial <sup>2</sup> | 25k hr <sup>2</sup> | 50k hr <sup>2</sup> | 75k hr <sup>3</sup> | 100k hr <sup>3</sup> |
| 0 C  | 99%                  | 97%                 | 96%                 | 95%                 | 94%                  |
| 10 C                                       | 99%                  | 97%                 | 96%                 | 95%                 | 93%                  |
| 20 C                                       | 99%                  | 97%                 | 95%                 | 94%                 | 92%                  |
| 25 C                                       | 98%                  | 97%                 | 95%                 | 93%                 | 92%                  |
| 30 C                                       | 98%                  | 97%                 | 95%                 | 93%                 | 92%                  |
| 40 C                                       | 98%                  | 97%                 | 95%                 | 93%                 | 91%                  |

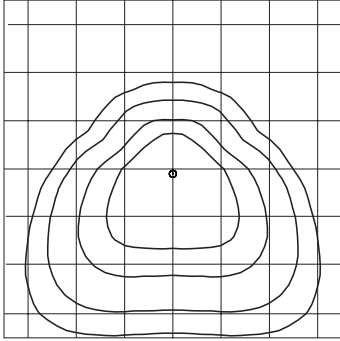
- Lumen maintenance values at 40C are calculated per TM-21 based on LM-80 data and in-situ testing.
- In accordance with IESNA TM-21-11, Projected Values represent interpolated value based on time durations that are within six times the IESNA LM-80-08 total test duration for the device under testing.
- In accordance with IESNA TM-21-11, Calculated Values represent time durations that exceed six times the IESNA LM-80-08 total test duration for the device under testing.

- Lumen maintenance values at 40C are calculated per TM-21 based on LM-80 data and in-situ testing.
- In accordance with IESNA TM-21-11, Projected Values represent interpolated value based on time durations that are within six times the IESNA LM-80-08 total test duration for the device under testing.
- In accordance with IESNA TM-21-11, Calculated Values represent time durations that exceed six times the IESNA LM-80-08 total test duration for the device under testing.

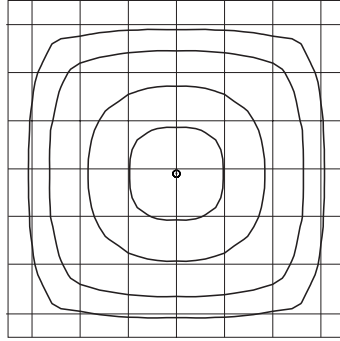
## PHOTOMETRICS

Luminaire photometry has been conducted by a NVLAP accredited testing laboratory in accordance with IESNA LM-79-08. As specified by IESNA LM-79-08 the entire luminaire is tested as the source resulting in a luminaire efficiency of 100%.

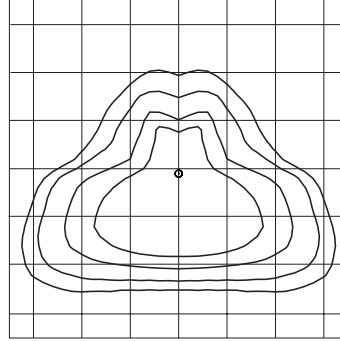
See the individual product page on <https://www.lsicorp.com/> for detailed photometric data.



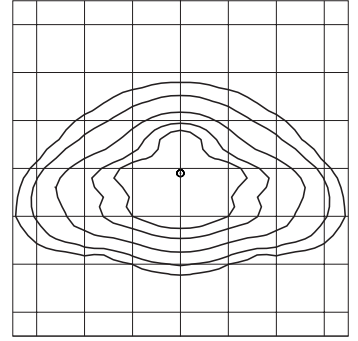
**FT**



**5W**

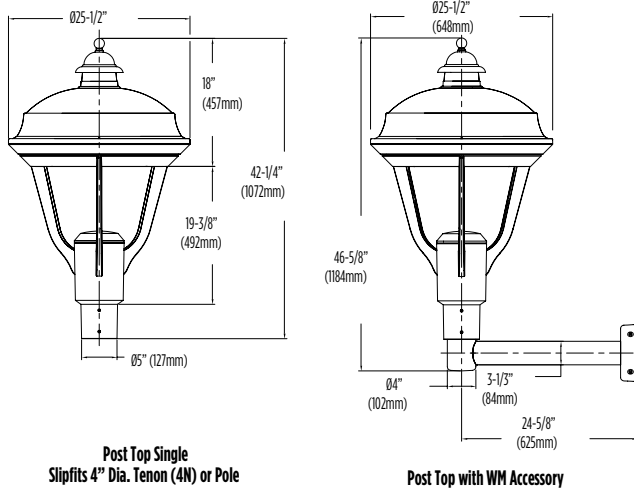


**Type 3**



**Type 2**

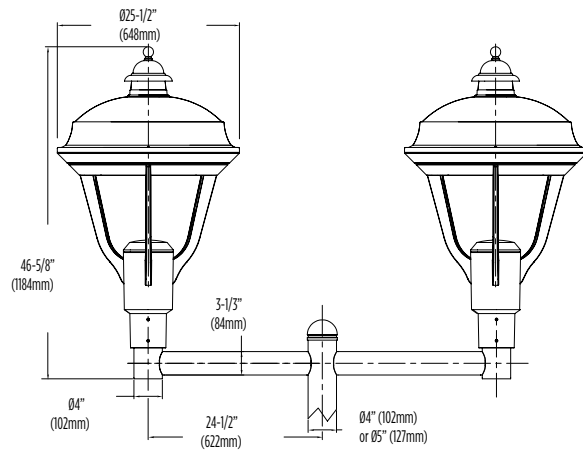
## PRODUCT DIMENSIONS



| Luminaire EPA Chart            |       | Mounting Style |     |
|--------------------------------|-------|----------------|-----|
| PT Single                      | ■     | PT             | 1.4 |
| PT D180°<br>with BK MPT B0 (2) | ■-■-■ | PT             | 2.7 |

| Shipping Weights |                       |
|------------------|-----------------------|
| Catalog Number   | Est. Weight (kg/lbs.) |
| LXM4 (PT)        | 29/64                 |



## POLES & BRACKETS

LSI offers a full line of poles and mounting accessories to complete your lighting assembly. Aluminum and steel in both square and round shafts. In addition, LSI offers round tapered, fluted and hinge based poles. Designed and engineered for durability and protected with our oven baked DuraGrip Protection System. Also available with our DuraGrip+ Protection system for unmatched corrosion resistance and an extended warranty. American made in our Ohio facility with industry leading lead times.

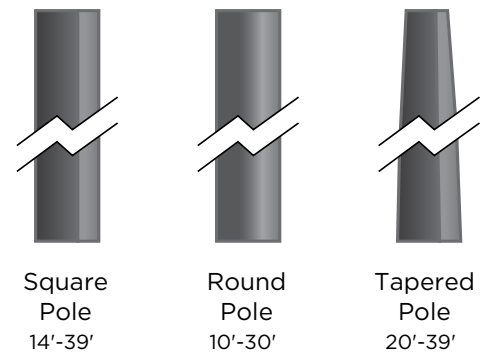
[Click here to learn more details about poles & brackets](#)

**BKA UMB CLR**  
 The 3G rated UMB allows for seamless integration of LSI luminaires onto existing/ retrofit or new construction poles. The UMB was designed for square or round (tapered or straight) poles with two mounting hole spacings between 3.5" - 5".

**BKS PQM15 CLR**  
 The Pole Quick Mount Bracket allows for preset 15° uptilt of LSI luminaires for greater throw of light and increased vertical illumination as well as fast installation onto poles with LSI's 3" or 5" bolt pattern.

**BKA ASF CLR**  
 The adjustable Slip Fitter is a 3G rated rugged die cast aluminum adapter to mount LSI luminaires onto a onto a 2" iron pipe , 2 3/8 OD tenon. The Adjustable Slip Fitter can be rotated 180° allowing for tilting LSI luminaires up to 45° and 90° when using a vertical tenon.

**BKS PQMH CLR**  
 The Pole Quick Mount Bracket allows for lightning fast installation of LSI luminaires onto existing and new construction poles with LSI's B3 or B5 standard pole bolt patterns.



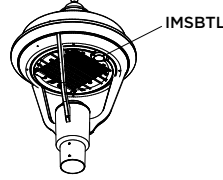
## CONTROLS

### Integral Bluetooth™ Motion and Photocell Sensor (IMSBTxL)

Slim low profile sensor provides multi-level control based on motion and/or daylight. Sensor controls 0-10 VDC LED drivers and is IP66 rated for cold and wet locations (-40°F to 167°F). Two unique PIR lenses are available and used based on fixture mounting height. All control parameters are adjustable via an iOS or Android App capable of storing and transmitting sensor profiles.

[Click here to learn more details about IMSBT](#)

Fixture Shown with IMSBTL



LEVITON App



Apple



Android

### AirLink Blue (ALBCSx)

Wireless Bluetooth Mesh Outdoor Lighting Control System that provides energy savings, code compliance and enhanced safety/security for parking lots and parking garages. Three key components; Bluetooth wireless radio/sensor controller, Time Keeper and an iOS App. Capable of grouping multiple fixtures and sensors as well as scheduling time-based events by zone. Radio/Sensor Controller is factory integrated into Area/Site, Wall Mounted, Parking Garage and Canopy luminaires.

[Click here to learn more details about AirLink Blue](#)



AirLink Blue App



Apple

### Sensor Sequence of Operations

| Standard Programming | On Event | Off Event | On Light Level | Dim Light Level | Daylight Harvesting  | Delay To Off | Sensitivity |
|----------------------|----------|-----------|----------------|-----------------|----------------------|--------------|-------------|
| OMSBTxL/IMSBTxL      | Motion   | No Motion | 100%           | N/A             | On; Auto Calibration | 20 minutes   | High        |
| OMS                  | Motion   | No Motion | N/A            | N/A             | N/A                  | 30 seconds   | Auto        |

| Operation              | Description  |
|------------------------|--|
| <b>On Event</b>        | Trigger that activates lights to turn on; either automatic via motion detected or manually activated via push of button.   |
| <b>Off Event</b>       | Trigger that activates lights to turn off; either automatic via no motion detected or manually activated via push of button.   |
| <b>On Light Level</b>  | The light level that the fixtures will turn on to when ON EVENT occurs.  |
| <b>Dim Light Level</b> | The light level that the fixtures will dim down to when no motion is detected.   |
| <b>Delay to Dim</b>    | The amount of time after which no motion is detected that the fixtures will be triggered to dim down. This sequence is optional, and sensor can be programmed to only trigger the fixture to turn off by entering 100% in this field.  |
| <b>Delay to Off</b>    | The amount of time after which no motion is detected that the fixtures will be triggered to turn off. If delay to dim is part of the programmed functionality, this is the amount of time after which no motion is detected after the fixture have already dimmed down.  |
| <b>Sensitivity</b>     | The sensitivity can be set to high, medium, low, or auto where applicable. High will detect smaller, simple motions. Low will only detect larger more complex motions. Auto temperature calibration adjusts the PIR sensitivity as ambient temperature rises to increase detection of heat movement through the field of view. |