

Catalog # :

Project :

Prepared By :

Date :



## LCL Linear Semi-Diffused Lens LED Strip



The linear clear lens, high-performance LED striplight is a direct replacement for fluorescent strips. The LCL is designed to deliver general ambient lighting in a variety of indoor settings, including schools, offices, hospitals and retail, and is the perfect choice for both new construction and retrofits. This high efficacy luminaire provides long-life and uniform illumination, as well as standard 0-10v dimming capability.

### Features & Specifications

#### Optical System

- High transmission impact resistant semi-diffuse acrylic lens eliminates bright spots from individual LED's and provides high vertical illumination and visual comfort
- Use of closely spaced medium-power, high brightness chips provide uniform lens luminance with no dead spots.
- Standard in 4000K color temperature.
- Minimum CRI of 80.

#### Electrical

- High-performance driver features over-voltage, under voltage, short-circuit and over temperature protection.
- 0-10 volt dimming (10% - 100%) standard.
- Standard Universal Voltage (120-277 Vac) Input 50/60 Hz
- L70 Calculated Life: >100k Hours
- Total harmonic distortion: <20%
- Operating temperature: -20°C to +50°C (-4°F to +122°F)
- Power factor: >.90
- Input power stays constant over life.
- Field replaceable surge protection device meets a minimum Category C Low operation (per ANSI/IEEE C62.41.2).

#### Construction

- Rigid 4' housing is die-formed thick gauge steel for consistency and strength.
- Removable Lens frame assembly provides quick access to wiring and driver connections.
- All metal parts are painted after fabrication following treatment with phosphate rust inhibitor. Finish coating of housing reflecting surfaces is with high-reflectance white (minimum 92%) polyester powder.
- Shipping weight: 6.4 lbs in carton.

#### Installation

- Installs surface mount to ceiling studs or drywall.
- Optional Chain hanger accessory available in 36" and 60" lengths.



damp location



Dimmable



LISTED



RoHS COMPLIANT

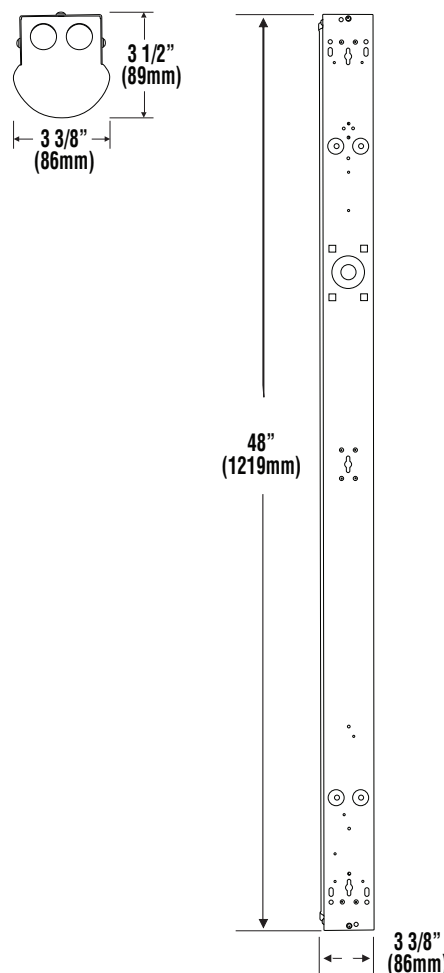


QUICK SHIP 5-DAY



DLC PREMIUM

### Dimensions





# LCL Linear Semi-Diffused Lens LED Strip

## Features & Specifications (Cont.)

### Warranty

- LSI LED Fixtures carry a 5-year warranty.

### Listings

- Listed to UL 1598 and UL 8750.
- RoHS Compliant.
- Suitable For Damp Locations.

## Performance

DELIVERED LUMENS*			
MODEL	4000K CCT		Avg. Wattage
	Delivered Lumens	Efficacy	
40L	4070	137	29.8

\*LED Chips are frequently updated therefore values are nominal.

ELECTRICAL DATA				
MODEL	120V	208V	240V	277V
40L	0.25A	0.14A	0.13A	0.11A

\*Electrical data at 25C (77F). Actual wattage may differ by +/-10%.

## Luminaire Ordering Guide

TYPICAL ORDER EXAMPLE: **LCL4 LED 40L CSM UNV DIM 40 U**

Luminaire Prefix	LED Gen	Lumen Package	Optic	Voltage	Driver	Color Temperature	Packaging
LCL4	LED	40L- 4000 Lumens	CSM - Centered Symmetric	UNV - Universal Voltage (120-277V)	DIM - 0-10V	40 - 4000K	U - Single Pack

## Accessory Ordering Information

Description	Order Number
Chain Hanger Set (36" length)	CHS3
Chain Hanger Set (60" length)	CHS5
Remote Emergency Battery - Field Installed	658633

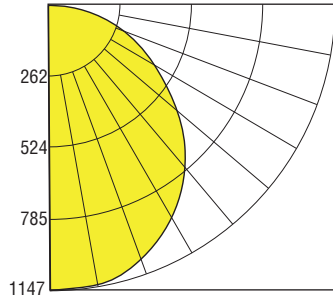


## Photometry

### LCL4-LED-40L-CSM-UNV-DIM-40

Luminaire photometry has been conducted by a NVLAP accredited testing laboratory in accordance with IESNA LM-79-08. As specified by IESNA LM-79-08 the entire luminaire is tested as the source resulting in a luminaire efficiency of 100%.

See <http://www.lsi-industries.com/products/led-lighting-solutions.aspx> for detailed photometric data.



ZONAL LUMEN SUMMARY		
ZONE	LUMENS	% OF LUMINAIRE
0-20	379.6	9.3%
0-30	814.6	20.0%
0-40	1,348.4	33.1%
0-60	2,456.0	60.3%
0-80	3,279.2	80.6%
0-90	3,537.6	86.9%
10-90	3,440.3	84.5%
20-40	968.8	23.8%
20-50	1,536.4	37.7%
40-70	1,570.6	38.6%
60-80	823.2	20.2%
70-80	360.2	8.8%
80-90	258.4	6.3%
90-110	308.0	7.6%
90-120	393.6	9.7%
90-130	450.5	11.1%
90-150	510.8	12.6%
90-180	532.5	13.1%
110-180	224.5	5.5%
0-180	4,070.1	100.0%