



# Geometric Sconces (GST/GSR/GSQ)

## Wall Sconce



### OVERVIEW

Lumen Package (lm)	2,000 -8,000
Wattage Range (W)	18 - 67
Efficacy Range (LPW)	108 - 133
Weight lbs (kg)	15 (6.8)

### QUICK LINKS

## FEATURES & SPECIFICATIONS

### Construction

- Rugged die-cast aluminum housing available in three classic shapes.
- Tempered glass lens.
- Reflector system with recessed light engine reduces glare and brightness.
- Forward throw distribution with zero uplight.
- Available in 5000K, 4000K and 3000K color temperatures per ANSI C78.377.
- Minimum CRI of 70

### Electrical

- High-performance driver features overvoltage, under-voltage, short-circuit and over temperature protection.
- 0-10V dimming (10% - 100%) standard.
- Standard Universal Voltage (120-277 VAC) Input 50/60 Hz.
- Total harmonic distortion: <20%
- Operating temperature: -40°C to +40°C (-40°F to +104°F).
- Power factor: >.90
- Input power stays constant over life.
- Optional 10kV surge protection device

meets a minimum Category C Low operation (per ANSI/IEEE C62.41.2).

- Driver and key electronic components can easily be accessed.

### Controls

- Integral passive infrared Bluetooth™ motion and photocell sensor options. Fixtures operate independently and can be commissioned via an iOS or Android configuration app. Updates and modifications to the control strategy are easily implemented via an intuitive app..
- LSI's AirLink™ Blue lighting control system is a simple feature rich wireless Bluetooth mesh network. The integrated fixture sensor module provides wireless control of grouped fixtures based on motion sensors, daylight or a fully customizable schedule. Installation.

### Installation

- Universal wall mounting plate mounts directly to vertical surface or 4" junction box (octagonal or square).
- Luminaire hinges to the top of the mounting plate and is secured via two set screws that conceal the hardware.

### Warranty

- LSI luminaires carry a 5-year limited warranty. Refer to <https://www.lsicorp.com/resources/terms-conditions-warranty/> for more information.

### Listings

- Listed to UL 1598 and UL 8750.
- IDA compliant; with 3000K color temperature selection.
- Title 24 Compliant; see local ordinance for qualification information.
- Suitable for wet locations..
- DesignLights Consortium® (DLC) qualified product. Not all versions of this product may be DLC qualified. Please check the DLC Qualified Products List at [www.designlights.org/QPL](http://www.designlights.org/QPL) to confirm which versions are qualified.

## ORDERING GUIDE

TYPICAL ORDER EXAMPLE: GST 6L FT UNV 40K7 BRZ PCIUNV BB			
Prefix	Lumen Package	Distribution	Voltage
<b>GST</b> - Trapezoid Geometric Sconce <b>GSR</b> - Radius/Half Round Geometric Sconce <b>GSQ</b> - Quartersphere Geometric Sconce <sup>5</sup>	<b>2L</b> - 2,000 lms <b>4L</b> - 4,000 lms <b>6L</b> - 6,000 lms <b>8L</b> - 8,000 lms	<b>FT</b> - Forward Throw	<b>UNV</b> - Universal Voltage (120-277V)
Color Temperature	Finish	Controls	Options
<b>50K7</b> - 5,000K CCT - 70 CRI <b>40K7</b> - 4,000K CCT - 70 CRI <b>30K7</b> - 3,000K CCT - 70 CRI	<b>BRZ</b> - Bronze <b>BLK</b> - Black <sup>4</sup> <b>SLV</b> - Silver <sup>4</sup> <b>WHT</b> - White <sup>4</sup>	<b>Blank</b> - No Controls <b>Wireless Controls Systems</b> <b>ALBCS1</b> - AirLink Blue Wireless Motion & Photo Sensor Controller (8-24' MH) <sup>1,2</sup> <b>Stand-Alone Controls</b> <b>IMSBT1</b> - Integral Bluetooth™ Motion and Photocell Sensor (8-24' MH) <sup>1,2</sup> <b>Button Photocell</b> <b>PCIUNV</b> - Universal Voltage Photocell (120-277V)	<b>SP1</b> - 10k Surge Protector <b>BB</b> - Battery Back-up (0°C)

Need more information?  
Click here for our glossary

**Have additional questions?**  
Call us at (800) 436-7800

## ACCESSORY ORDERING INFORMATION<sup>3</sup>

Part Number	Description
739106	Wet Location Surface Conduit/Wiring box

1 - IMSBT & ALBCS controls are available in bronze finish only. Not available in 2L configuration.  
 2 - Sensors are field configurable via the LSI app that can be downloaded from your smartphone's native app store.  
 3 - Accessories are shipped separately and field installed.  
 4 - Limited product availability for non bronze paint finishes, please consult factory before ordering.  
 5 - Not available with PCI

## PERFORMANCE

Delivered Lumens (GST)												
Lumen Package	Distribution	CRI	3000K CCT			4000K CCT			5000K CCT			Wattage
			Delivered Lumens	Efficacy	BUG Rating	Delivered Lumens	Efficacy	BUG Rating	Delivered Lumens	Efficacy	BUG Rating	
2L	FT	70	2205	112	B1-U0-G1	2328	129	B1-U0-G1	2335	130	B1-U0-G1	18
4L			3901	116	B1-U0-G1	4119	125	B1-U0-G1	4131	125	B2-U0-G1	33
6L			5535	113	B2-U0-G1	5845	119	B2-U0-G1	5845	119	B2-U0-G1	49
8L			7185	108	B2-U0-G1	7587	115	B2-U0-G1	7609	115	B2-U0-G1	66

Delivered Lumens (GSR)												
Lumen Package	Distribution	CRI	3000K CCT			4000K CCT			5000K CCT			Wattage
			Delivered Lumens	Efficacy	BUG Rating	Delivered Lumens	Efficacy	BUG Rating	Delivered Lumens	Efficacy	BUG Rating	
2L	FT	70	2241	115	B1-U0-G1	2366	131	B1-U0-G1	2373	132	B1-U0-G1	18
4L			3964	121	B1-U0-G1	4186	127	B2-U0-G1	4198	127	B2-U0-G1	33
6L			5625	117	B2-U0-G1	5940	121	B2-U0-G1	5958	122	B2-U0-G1	49
8L			7301	111	B2-U0-G1	7709	117	B2-U0-G1	7732	117	B2-U0-G1	66

Electrical Data - Current Draw AMPS*				
Lumen Package	120V	208V	240V	277V
2L	0.13	0.07	0.06	0.05
4L	0.25	0.14	0.13	0.11
6L	0.42	0.24	0.21	0.18
8L	0.60	0.35	0.30	0.26

Recommended Lumen Maintenance <sup>1</sup>					
Ambient Temperature	Initial <sup>2</sup>	25K hrs. <sup>2</sup>	50K hrs. <sup>2</sup>	75K hrs. <sup>3</sup>	100K hrs. <sup>3</sup>
C	0 hrs. <sup>2</sup>	25K hrs. <sup>2</sup>	50K hrs. <sup>2</sup>	75K hrs. <sup>3</sup>	100K hrs. <sup>3</sup>
0 C - 40 C	100%	94%	87%	82%	76%

\*Electrical data at 25C (77F). Actual wattage may differ by +/-10%.

1 Lumen maintenance values at 25°C are calculated per TM-21 based on LM-80 data and in-situ luminaire testing.  
 2 In accordance with IESNA TM-21-11, Projected Values represent interpolated value based on time durations that are within six times (6X) the IESNA LM-80-08 total test duration (in hours) for the device under testing ((DUT) i.e. the packaged LED chip).  
 3 In accordance with IESNA TM-21-11, Calculated Values represent time durations that exceed six times NA LM-80-08 total test duration (in hours) for the device under testing ((DUT) i.e. the packaged LED chip).

## PHOTOMETRICS

Luminaire photometry has been conducted by a NVLAP accredited testing laboratory in accordance with IESNA LM-79-08. As specified by IESNA LM-79-08 the entire luminaire is tested as the source resulting in a luminaire efficiency of 100%.

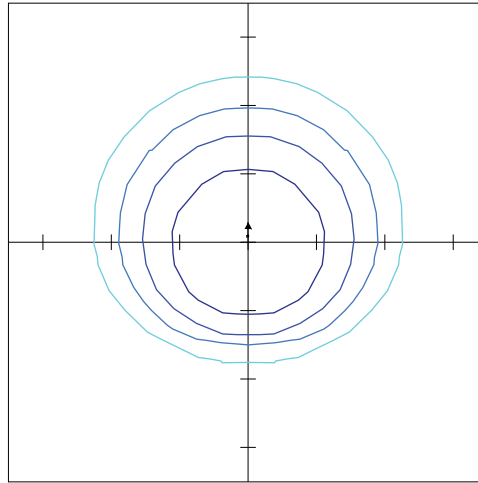
See the individual product page on <https://www.lsicorp.com/> for detailed photometric data.

### GST 6L FT UNV 40 BRZ

Luminaire Data	
<b>Wide Distribution</b>	
Description	4000 Kelvin, 70 CRI
Delivered Lumens	5,845
Watts	49
Efficacy	119
IES Type	Type III - Very Short
BUG Rating	B2-U0-G1

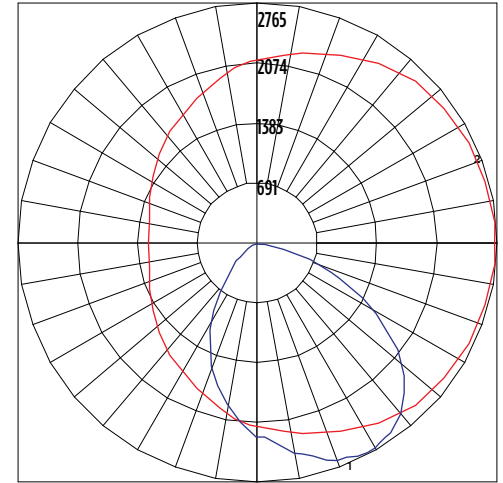
Zonal Lumen Summary		
Zone	Lumens	% Luminaire
Low (0-30°)	1787	31%
Medium (30-60°)	3146	54%
High (60-80°)	875	15%
Very High (80-90°)	38	1%
Uplight (90-180°)	0	0%
<b>Total Flux</b>	<b>5845</b>	<b>100%</b>

### ISO Footcandle



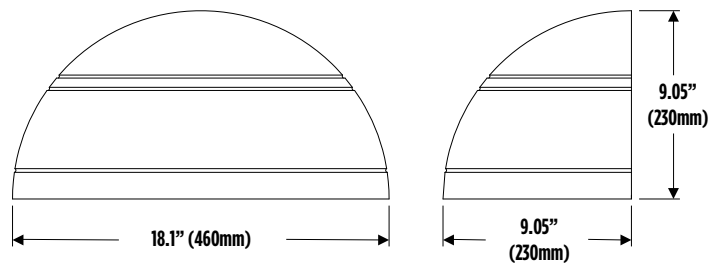
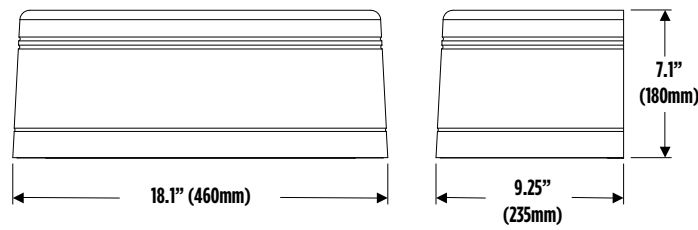
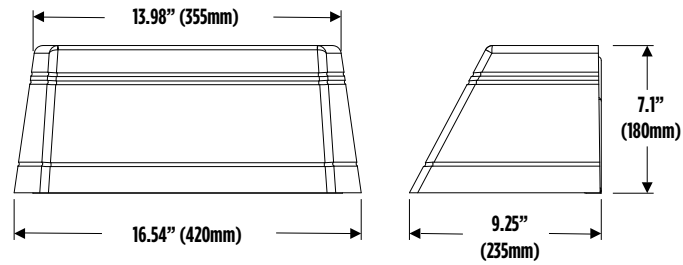
10' Mounting Height / 10' Grid Spacing  
 ■ 5 FC ■ 2 FC ■ 1 FC ■ 0.5 FC

### Polar Curve



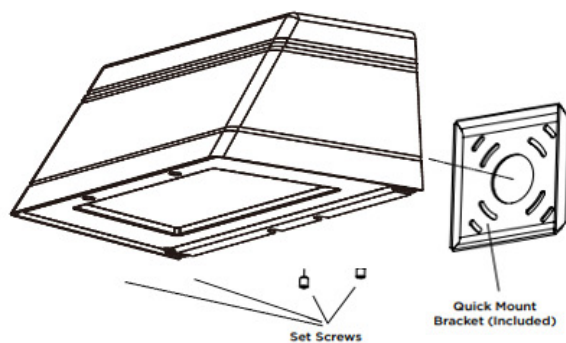
■ Vertical Plane ■ Horizontal Cone

## PRODUCT DIMENSIONS

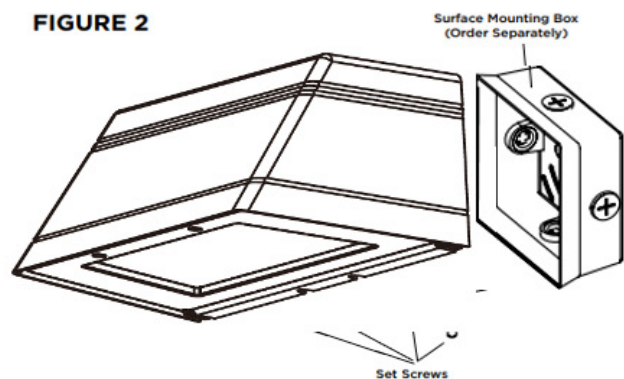


## MOUNTING OPTIONS

### MOUNTING OVER JUNCTION BOX



### FIGURE 2



## CONTROLS

### Integral Bluetooth™ Motion and Photocell Sensor (IMSBTxL)

Slim low profile sensor provides multi-level control based on motion and/or daylight. Sensor controls 0-10 VDC LED drivers and is IP66 rated for cold and wet locations (-40°F to 167°F). Two unique PIR lenses are available and used based on fixture mounting height. All control parameters are adjustable via an iOS or Android App capable of storing and transmitting sensor profiles.

[Click here to learn more details about IMSBT](#)



LEVITON App



Apple



Android

### AirLink Blue (ALBMRxLR, ALBCSx)

Wireless Bluetooth Mesh Outdoor Lighting Control System that provides energy savings, code compliance and enhanced safety/security for parking lots and parking garages. Three key components; Bluetooth wireless radio/sensor controller, Time Keeper and an iOS App. Capable of grouping multiple fixtures and sensors as well as scheduling time-based events by zone. Radio/Sensor Controller is factory integrated into Area/Site, Wall Mounted, Parking Garage and Canopy luminaires.

[Click here to learn more details about AirLink Blue](#)



AirLink Blue App



Apple

### Sensor Sequence of Operations

Standard Programming	On Event	Off Event	On Light Level	Dim Light Level	Daylight Harvesting	Delay To Off	Sensitivity
IMSBTxL	Motion	No Motion	100%	N/A	On; Auto Calibration	20 minutes	High

Operation	Description
<b>On Event</b>	Trigger that activates lights to turn on; either automatic via motion detected or manually activated via push of button.
<b>Off Event</b>	Trigger that activates lights to turn off; either automatic via no motion detected or manually activated via push of button.
<b>On Light Level</b>	The light level that the fixtures will turn on to when ON EVENT occurs.
<b>Dim Light Level</b>	The light level that the fixtures will dim down to when no motion is detected.
<b>Delay to Dim</b>	The amount of time after which no motion is detected that the fixtures will be triggered to dim down. This sequence is optional, and sensor can be programmed to only trigger the fixture to turn off by entering 100% in this field.
<b>Delay to Off</b>	The amount of time after which no motion is detected that the fixtures will be triggered to turn off. If delay to dim is part of the programmed functionality, this is the amount of time after which no motion is detected after the fixture have already dimmed down.
<b>Sensitivity</b>	The sensitivity can be set to high, medium, low, or auto where applicable. High will detect smaller, simple motions. Low will only detect larger more complex motions. Auto temperature calibration adjusts the PIR sensitivity as ambient temperature rises to increase detection of heat movement through the field of view.

## BATTERY BACKUP

---

Emergency battery system provides 90-minutes of constant power to the LED system, ensuring code compliance. A test switch/indicator button is installed on the housing for ease of maintenance. The fixture delivers ~1000 lumens during emergency mode.



Luminaire shown with sensor  
and battery back

## POLES & BRACKETS

---

LSI offers a full line of poles and mounting accessories to complete your lighting assembly. Aluminum and steel in both square and round shafts. In addition, LSI offers round tapered, fluted and hinge based poles. Designed and engineered for durability and protected with our oven baked DuraGrip Protection System. Also available with our DuraGrip+ Protection system for unmatched corrosion resistance and an extended warranty. American made in our Ohio facility with industry leading lead times.

[Click here to learn more details about poles & brackets](#)