



Enterprise (ENM4)

LED Decorative Post Top & Area Light



OVERVIEW

Lumen Package (lm)	4,000 - 30,000
Wattage Range (W)	39 - 228
Efficacy Range (LPW)	100 - 157
Weight lbs (kg)	64 (29)

QUICK LINKS

FEATURES & SPECIFICATIONS

Construction

- Rugged die-cast aluminum housing.
- Cast aluminum wiring access door located in lower hub/fitter.
- Rigid die-cast aluminum arms for consistency and strength.
- Precision die cast aluminum heatsink and optical frame.
- Removable spun aluminum cap/driver enclosure is retained by captive stainless steel fasteners and safety cables. Housing and top cap interface is sealed with a one-piece extruded silicone gasket. Tool-less entry option is available.
- All exposed fasteners are black oxide coated stainless steel. Internal fasteners are stainless steel or zinc electroplated steel.
- IP65 rated luminaire protects integral components from harsh environments.
- 1.5G rated for ANSI C136.31 high vibration applications
- Fixtures are finished with LSI's DuraGrip® polyester powder coat finishing process. The DuraGrip finish withstands extreme weather changes without cracking or peeling. Other standard LSI finishes available. Consult factory.

Optical System

- State-of-the-Art one piece silicone optic sheet delivers industry leading optical control with an integrated gasket to provide IP66 rated sealed optical chamber in 1 component.
- Proprietary silicone refractor optics provide exceptional coverage and uniformity in IES Types 2, 3, 5W and FT.

- Silicone optical material does not yellow or crack with age and provides a minimum light transmittance of 93%.
- Optical distributions are field rotatable (in 90° increments).
- Available in 5000K, 4000K, and 3000K (+/- 275K) color temperatures.
- Minimum CRI of 70. Consult Factory for Higher CRI requirements.
- Integral Louver (IL) option available for improved back-light control without sacrificing street side performance.

Electrical

- High-performance driver features over-voltage, under-voltage, short-circuit and over temperature protection.
- 0-10V dimming (10% - 100%) standard.
- Standard Universal Voltage (120-277 Vac) Input 50/60 Hz or optional High Voltage (347-480 Vac).
- L70 Calculated Life: >100k Hours (See Lumen Maintenance on Page 2)
- Total harmonic distortion: <20%
- Operating temperature: - -40°C to +50°C (-40°F to +122°F)
- Power factor: >.90
- Input power stays constant over life.
- Field replaceable surge protection device meets a minimum Category C Low operation (per ANSI/IEEE C62.41.2).
- High-efficacy LEDs mounted to metal-core circuit board to maximize heat dissipation
- Terminal block provided accepts up to 10ga wire, however the luminaire is supplied with a 32' 3 conductor wire harness.

- Components are fully encased in potting material for moisture resistance. Driver complies with FCC standards. Driver and key electronic components can easily be accessed.

Controls

- 7-pin ANSI C136.41-2013 photocontrol receptacle option available for twist lock photocontrols or wireless control modules.
- Optional integral passive infrared Bluetooth™ motion and photocell sensor. Fixtures operate independently and can be commissioned via iOS or Android configuration app (See controls page for more detail).

Installation

- Post top version mounts to 4" O.D. pole or tenon and secures to pole with 6 stainless steel set screws (32' wire leads provided for ease of wiring).
- Side arm version Utilizes LSI's B3 drill pattern

Warranty

- LSI luminaires carry a 5-year limited warranty. Refer to <https://www.lsicorp.com/resources/terms-conditions-warranty/> for more information.

Listings

- Listed to UL 1598 and UL 8750
- State of California Title 24
- Meets Buy American Act requirements
- Suitable For wet Locations
- IP65 rated Luminaire. IP66 rated optical chamber.
- 1.5G rated for ANSI C136.31 high vibration applications

ORDERING GUIDE

TYPICAL ORDER EXAMPLE: ENM4 PT 3 LED 18L 50 UNV BLK IMSBT1L									
Prefix	Mounting	Distribution	Light Source	Lumen Package	Color Temperature	Voltage	Finish	Option Controls	Options
ENM4 - Enterprise	PT - Post Top SA4 - Side Arm Mount for 4-5" Round Poles	2 - Type II 3 - Type III 5W - Type 5 Wide FT - Forward Throw (Type IV)	LED	5L - 5,000 Lumens 10L - 10,000 Lumens 18L - 18,000 Lumens 25L - 25,000 Lumens	30 - 3000K 40 - 4000K 50 - 5000K	UNV - Universal Voltage (120-277V) HV - High Voltage (347-480V)	BRZ - Bronze BLK - Black GPT - Graphite MSV - Metallic Silver WHT - White PLP - Platinum Plus SVG - Satin Verde Green	Stand-Alone Control (Blank) - None IMSBT1L - Integral Bluetooth™ Motion and Photocell Sensor (8 - 24' mounting height) ⁶ IMSBT2L - Integral Bluetooth™ Motion and Photocell Sensor (25 - 40' mounting height) ⁶ ALBCS1 - AirLink Blue Wireless Motion & Photo Sensor Controller (8-24' MH) ALBCS2 - AirLink Blue Wireless Motion & Photo Sensor Controller (25-40' MH)	CR7P - 7-Pin Twist Lock Control Receptacle ANSI C136.411 IL - Integral Louver Shield ⁷



Need more information?
[Click here for our glossary.](#)

Have additional questions?
Call us at (800) 436-7800



ACCESSORY ORDERING INFORMATION

Part Number	Description
490025CLR ⁵	BK MPT B04 - Bolt on Bracket (for PT 180) For 4" O.D. Round Poles
490035CLR ⁵	BK MPT B05 - Bolt on Bracket (for PT 180) For 5" O.D. Round Poles
654939	IL - Integral Louver Shield (Black only)
159514 ^{2,4}	PC120 Photocell for use with CR7P option (120V)
122515 ^{2,4}	PC208-277 Photocell for use with CR7P option (208V, 240V, 277V)
122516 ^{2,4}	PC347 Photocell for use with CR7P option (347V)
1225180 ^{2,4}	PC480 Photocell for use with CR7P option (480V)
356044	WM - Post top wall mount bracket (bronze) C/F for additional finish options
FK120 ³	FK120 Single Fusing (120V)
FK277 ³	FK277 Single Fusing (277V)

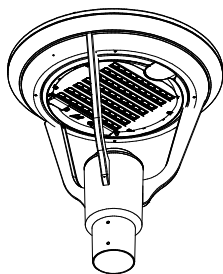
Part Number	Description
DFK208, 240 ³	DFK208,240 Double Fusing (208V, 240V)
DFK480 ³	DFK480 Double Fusing (480V)
FK347 ³	FK347 Single Fusing (347V)
661409	ALSC UNV TL5 - AirLink 5 Pin Twist Lock Controller
661410	ALSC UNV TL7 - AirLink 7 Pin Twist Lock Controller
356106	SA WM - Side arm wall mount bracket (bronze) C/F for additional finish options
375909	SA WM - Side arm wall mount bracket (black) C/F for additional finish options
375915	SA WM - Side arm wall mount bracket (white) C/F for additional finish options
375969	SA WM - Side arm wall mount bracket (silver) C/F for additional finish options
149328	Shorting Cap for use with CR7P option

Accessories/Options

Integral Louver (IL)

Optional Integral Louver available for improved back-light control without sacrificing street side performance.

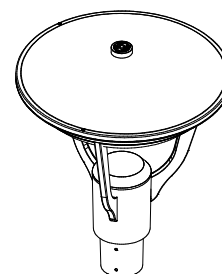
Fixture Shown with Integral Louver (IL)



7 Pin Photoelectric Control

7-pin ANSI C136.41-2013 photocontrol receptacle option available for twist lock photocontrols or wireless control modules. Control accessories sold separately. Dimming leads from the receptacle will be connected to the driver dimming leads (Consult factory)

Fixture Shown with CR7P



- Control device or shorting cap must be ordered separately. See Accessory Ordering Information.
- Factory installed CR7P option required. See Options.
- Fusing must be located in hand hole of pole.
- These photocells provide Dusk/Dawn, on-off control only. Consult factory for alternate photocells providing additional functionality.

- Order poles with 3" reduced drilling pattern. For PT mounting configurations other than D180, consult factory. Order one bracket per fixture
- Consists of a daylight & motion dual sensor. Field configurable via the LSI app that can be downloaded from your smartphone's native app store. Not available CR7P.
- Not available with type 5W distribution.

PERFORMANCE

Post Top - Delivered Lumens*											
Lumen Package	Distribution	3000K CCT			4000K CCT			5000K CCT			Wattage
		Delivered Lumens	Efficacy	BUG Rating	Delivered Lumens	Efficacy	BUG Rating	Delivered Lumens	Efficacy	BUG Rating	
5L	2	4563	117	B2-U1-G1	5042	129	B2-U1-G1	5279	135	B2-U1-G1	39
	3	4691	120	B1-U1-G2	5184	132	B1-U1-G2	5427	139	B1-U1-G2	
	FT	4574	117	B1-U1-G2	5055	129	B1-U1-G2	5292	136	B1-U1-G2	
	5W	4595	118	B3-U1-G1	5078	130	B3-U1-G1	5316	136	B3-U1-G1	
10L	2	9089	117	B2-U2-G2	10044	130	B2-U2-G2	10515	135	B2-U2-G2	78
	3	9367	120	B2-U2-G2	10351	134	B2-U2-G2	10837	139	B2-U2-G2	
	FT	9110	117	B2-U2-G2	10067	130	B2-U2-G2	10540	135	B2-U2-G2	
	5W	9140	120	B3-U2-G2	10009	129	B3-U2-G2	10479	134	B3-U2-G2	
18L	2	16633	113	B3-U2-G3	18129	122	B3-U2-G3	18980	128	B3-U2-G3	149
	3	17098	115	B3-U2-G3	18788	126	B3-U2-G3	19670	132	B3-U2-G3	
	FT	16710	112	B3-U2-G3	18361	123	B3-U2-G3	19223	129	B3-U2-G3	
	5W	16760	112	B4-U2-G2	18416	124	B4-U2-G2	19280	129	B4-U2-G2	
25L	2	22912	102	B4-U2-G3	24993	109	B4-U2-G3	26166	115	B4-U2-G3	228
	3	23614	104	B3-U2-G3	25973	114	B3-U2-G3	27192	119	B3-U2-G3	
	FT	22805	100	B3-U2-G4	25083	110	B3-U2-G4	26260	115	B3-U2-G4	
	5W	23629	104	B5-U2-G3	25990	114	B5-U2-G3	27210	119	B5-U2-G3	

Side Arm - Delivered Lumens*											
Lumen Package	Distribution	3000K CCT			4000K CCT			5000K CCT			Wattage
		Delivered Lumens	Efficacy	BUG Rating	Delivered Lumens	Efficacy	BUG Rating	Delivered Lumens	Efficacy	BUG Rating	
5L	2	5269	135	B2-U0-G1	5764	147	B2-U0-G1	6052	155	B2-U0-G1	39
	3	5330	137	B1-U0-G2	5830	w148	B1-U0-G2	6122	157	B1-U0-G2	
	FT	5140	132	B1-U0-G2	5623	143	B1-U0-G2	5904	151	B1-U0-G2	
	5W	5159	132	B3-U0-G1	5643	144	B3-U0-G1	5925	152	B3-U0-G1	
10L	2	10217	131	B2-U0-G2	11176	144	B2-U0-G2	11735	150	B2-U0-G2	78
	3	10640	136	B2-U0-G2	11639	150	B2-U0-G2	12221	157	B2-U0-G2	
	FT	10376	133	B2-U0-G2	11350	146	B2-U0-G2	11918	153	B2-U0-G2	
	5W	10299	133	B4-U0-G2	11183	144	B4-U0-G2	11742	151	B4-U0-G2	
18L	2	18540	124	B3-U0-G3	20281	136	B3-U0-G3	21295	143	B3-U0-G3	149
	3	18805	126	B3-U0-G3	20571	138	B3-U0-G3	21600	145	B3-U0-G3	
	FT	18590	125	B3-U0-G3	20336	136	B3-U0-G3	21353	143	B3-U0-G3	
	5W	18729	126	B4-U0-G2	20488	137	B4-U0-G2	21512	144	B4-U0-G2	
25L	2	25692	114	B4-U0-G3	28564	125	B4-U0-G3	29992	132	B4-U0-G3	228
	3	25722	113	B3-U0-G4	28959	127	B3-U0-G4	30407	133	B3-U0-G4	
	FT	25590	112	B3-U0-G4	28811	126	B3-U0-G4	30252	133	B3-U0-G4	
	5W	25777	113	B5-U0-G3	29021	127	B5-U0-G3	30472	134	B5-U0-G3	

*LEDs are frequently updated therefore values are nominal.

Post Top And Side Arm - Electrical Data (Amps)*							
Lumen Package	Wattage	120V	208V	240V	277V	347V	480V
5L	39	0.33	0.19	0.16	0.14	0.11	0.08
10L	78	0.65	0.38	0.33	0.28	0.22	0.16
18L	149	1.24	0.72	0.62	0.54	0.43	0.31
25L	228	1.90	1.10	0.95	0.82	0.66	0.48

*Electrical data at 25C (77F). Actual wattage may differ by +/-10%.

Post Top and Side Arm - Recommended Lumen Maintenance ¹					
Ambient Temp C	Initial ²	25k hr ²	50k hr ²	75k hr ³	100k hr ³
0 C	99%	97%	96%	95%	94%
10 C	99%	97%	96%	95%	93%
20 C	99%	97%	95%	94%	92%
25 C	98%	97%	95%	93%	92%
30 C	98%	97%	95%	93%	92%
40 C	98%	97%	95%	93%	91%

1 Lumen maintenance values at 40C are calculated per TM-21 based on LM-80 data and in-situ testing.

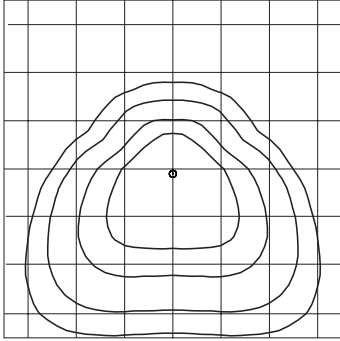
2 In accordance with IESNA TM-21-II, Projected Values represent interpolated value based on time durations that are within six times the IESNA LM-80-08 total test duration for the device under testing.

3 In accordance with IESNA TM-21-II, Calculated Values represent time durations that exceed six times the IESNA LM-80-08 total test duration for the device under testing.

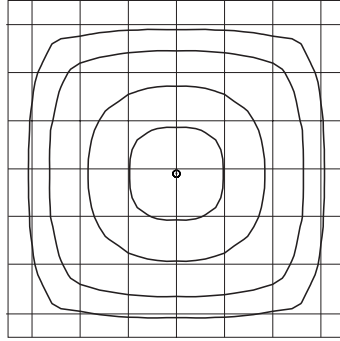
PHOTOMETRICS

Luminaire photometry has been conducted by a NVLAP accredited testing laboratory in accordance with IESNA LM-79-08. As specified by IESNA LM-79-08 the entire luminaire is tested as the source resulting in a luminaire efficiency of 100%.

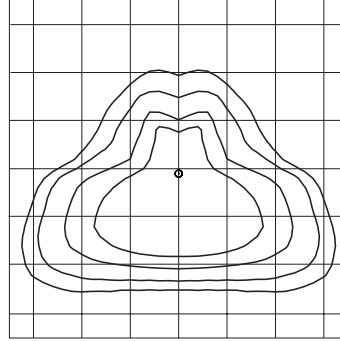
See the individual product page on <https://www.lsicorp.com/> for detailed photometric data.



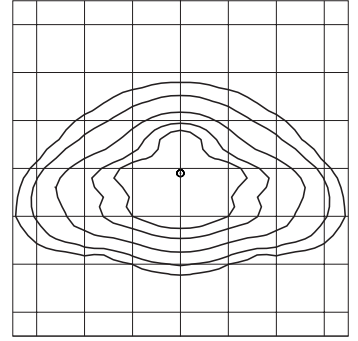
FT



5W

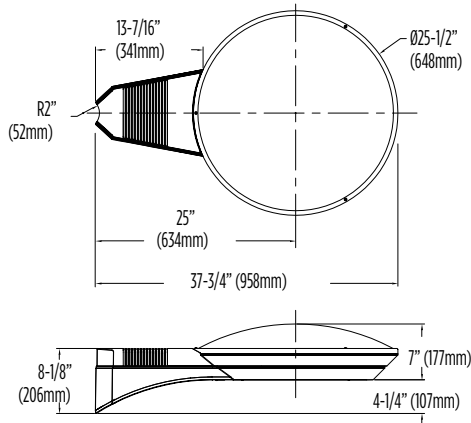


Type 3

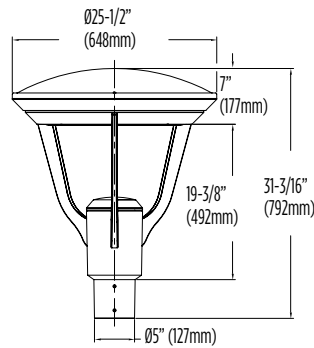


Type 2

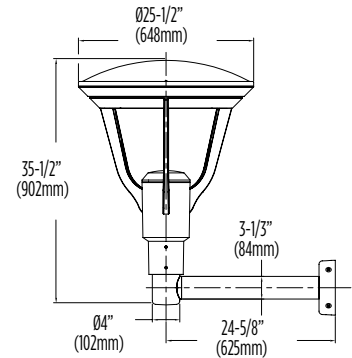
PRODUCT DIMENSIONS



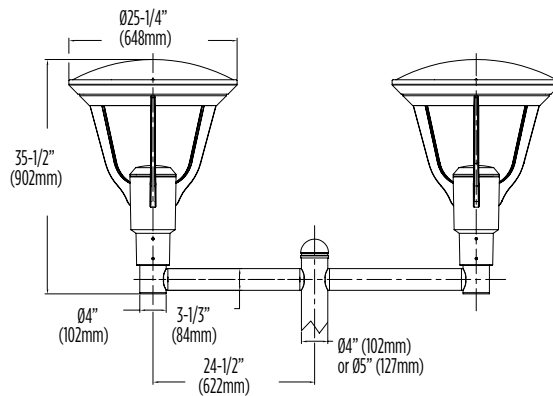
Side Arm Pole Mount
(select 3" reduced drilling pattern)



Post Top
Slipfits 4" Dia. Tenon (4N) or Pole



Post Top with WM Accessory



Post Top with BK MPT B0 (x2)
Mounts to 4" or 5" Dia. D180 Bolt-on Pole
(select 3" reduced drilling pattern)

Luminaire EPA Chart		Mounting Style	
PT Single		PT	1.0
PT D180° with BK MPT B0 (2)		PT	2.0
Single		SA	1.0
D180°		SA	2.1
D90°		SA	1.8
T90°		SA	2.7
T120°		SA	2.8
Q90°		SA	3.5

Shipping Weights	
Catalog Number	Est. Weight (kg/lbs.)
ENM4 (PT or SA)	29/64

POLES & BRACKETS

LSI offers a full line of poles and mounting accessories to complete your lighting assembly. Aluminum and steel in both square and round shafts. In addition, LSI offers round tapered, fluted and hinge based poles. Designed and engineered for durability and protected with our oven baked DuraGrip Protection System. Also available with our DuraGrip+ Protection system for unmatched corrosion resistance and an extended warranty. American made in our Ohio facility with industry leading lead times.

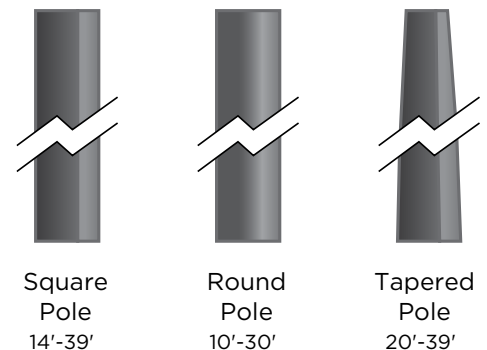
[Click here to learn more details about poles & brackets](#)

BAK UMB CLR
The 3G rated UMB allows for seamless integration of LSI luminaires onto existing/ retrofit or new construction poles. The UMB was designed for square or round (tapered or straight) poles with two mounting hole spacings between 3.5" - 5".

BKS PQM15 CLR
The Pole Quick Mount Bracket allows for preset 15° uptilt of LSI luminaires for greater throw of light and increased vertical illumination as well as fast installation onto poles with LSI's 3" or 5" bolt pattern.

BAK ASF CLR
The adjustable Slip Fitter is a 3G rated rugged die cast aluminum adapter to mount LSI luminaires onto a onto a 2" iron pipe, 2 3/8 OD tenon. The Adjustable Slip Fitter can be rotated 180° allowing for tilting LSI luminaires up to 45° and 90° when using a vertical tenon.

BKS PQMH CLR
The Pole Quick Mount Bracket allows for lightning fast installation of LSI luminaires onto existing and new construction poles with LSI's B3 or B5 standard pole bolt patterns.



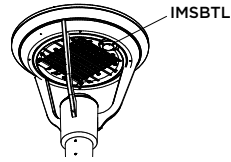
CONTROLS

Integral Bluetooth™ Motion and Photocell Sensor (IMSBTxL)

Slim low profile sensor provides multi-level control based on motion and/or daylight. Sensor controls 0-10 VDC LED drivers and is IP66 rated for cold and wet locations (-40°F to 167°F). Two unique PIR lenses are available and used based on fixture mounting height. All control parameters are adjustable via an iOS or Android App capable of storing and transmitting sensor profiles.

[Click here to learn more details about IMSBT](#)

Fixture Shown with IMSBTL



LEVITON App



Apple



Android

AirLink Blue (ALBCSx)

Wireless Bluetooth Mesh Outdoor Lighting Control System that provides energy savings, code compliance and enhanced safety/security for parking lots and parking garages. Three key components; Bluetooth wireless radio/sensor controller, Time Keeper and an iOS App. Capable of grouping multiple fixtures and sensors as well as scheduling time-based events by zone. Radio/Sensor Controller is factory integrated into Area/Site, Wall Mounted, Parking Garage and Canopy luminaires.

[Click here to learn more details about AirLink Blue](#)



AirLink Blue App



Apple

Sensor Sequence of Operations

Standard Programming	On Event	Off Event	On Light Level	Dim Light Level	Daylight Harvesting	Delay To Off	Sensitivity
OMSBTxL/IMSBTxL	Motion	No Motion	100%	N/A	On; Auto Calibration	20 minutes	High
OMS	Motion	No Motion	N/A	N/A	N/A	30 seconds	Auto

Operation	Description
On Event	Trigger that activates lights to turn on; either automatic via motion detected or manually activated via push of button.
Off Event	Trigger that activates lights to turn off; either automatic via no motion detected or manually activated via push of button.
On Light Level	The light level that the fixtures will turn on to when ON EVENT occurs.
Dim Light Level	The light level that the fixtures will dim down to when no motion is detected.
Delay to Dim	The amount of time after which no motion is detected that the fixtures will be triggered to dim down. This sequence is optional, and sensor can be programmed to only trigger the fixture to turn off by entering 100% in this field.
Delay to Off	The amount of time after which no motion is detected that the fixtures will be triggered to turn off. If delay to dim is part of the programmed functionality, this is the amount of time after which no motion is detected after the fixture have already dimmed down.
Sensitivity	The sensitivity can be set to high, medium, low, or auto where applicable. High will detect smaller, simple motions. Low will only detect larger more complex motions. Auto temperature calibration adjusts the PIR sensitivity as ambient temperature rises to increase detection of heat movement through the field of view.