



Constitution (XCN4)

Outdoor Decorative Post Top



OVERVIEW

Lumen Output Range	10,000 - 25,000
Wattage	74-231
Efficacy Range (LPW)	103 - 147
Fixture Weight lbs (kg)	45 (20.4)

QUICK LINKS

[Ordering Guide](#)
[Performance](#)
[Photometrics](#)
[Dimensions](#)

FEATURES & SPECIFICATIONS

Construction

- Rugged die-cast aluminum optical housing, cage, and fitter. Fitter contains factory pre-wired drivers and optional controls.
- Cast aluminum wiring access door located in lower hub/fitter.
- Rigid die-cast aluminum arms for consistency and strength.
- Precision die cast aluminum heatsink and optical frame.
- Removable spun aluminum cap/driver enclosure is retained by captive stainless steel fasteners and safety cables. Housing and top cap interface is sealed with a one-piece extruded silicone gasket. Tool-less entry option is available.
- All exposed fasteners are black oxide coated stainless steel. Internal fasteners are stainless steel or zinc electroplated steel.
- Luminaire is proudly made in the U.S.
- Fixtures are finished with LSI's DuraGrip® polyester powder coat finishing process. The DuraGrip finish withstands extreme weather changes without cracking or peeling. Other standard LSI finishes available. Consult factory.
- Shipping weight: 45 lbs in carton.

Optical System

- State-of-the-Art one piece silicone optic sheet delivers industry leading optical control with an integrated gasket.
- Proprietary silicone refractor optics provide exceptional coverage and uniformity in IES Types 2, 3, 5W and FT.

- Silicone optical material does not yellow or crack with age and provides a typical light transmittance of 93%.
- Available in 5000K, 4000K, and 3000K color temperatures per ANSI C78.377.
- Minimum CRI of 70
- Integral louver (IL) option available for improved backlight control without sacrificing street side performance.

Electrical

- High-performance programmable driver features over-voltage, undervoltage, short-circuit and over temperature protection. Custom lumen and wattage packages available.
- 0-10V dimming (10% - 100%) standard.
- Standard Universal Voltage (120-277 Vac) Input 50/60 Hz or optional High Voltage (347-480 Vac).
- L70 Calculated Life: >100k Hours
- Total harmonic distortion: <20%
- Operating temperature: -40°C to +50°C (-40°F to +122°F).
- Power factor: >.90
- Input power stays constant over life.
- Field replaceable surge protection device meets a minimum Category C Low operation (per ANSI/IEEE C62.41.2).
- High-efficacy LEDs mounted to metal-core circuit board to maximize heat dissipation
- Terminal block provided accepts up to 10ga wire, however the luminaire is supplied with a 32' 3 conductor wire harness.

- Components are fully encased in potting material for moisture resistance. Driver complies with FCC standards.
- Internal power supplies and controls can be serviced via (2) integral fitter removable power trays.

Installation

- Mounts to 4" O.D. pole or tenon.
- Secures to pole with 6 stainless steel set screws.
- 32' wire leads are provided bundled in the slip fitter hub for ease of wiring.

Warranty

- LSI luminaires carry a 5-year limited warranty. Refer to <https://www.lsicorp.com/resources/terms-conditions-warranty/> for more information.

Listings

- Listed to UL 1598 and UL 8750.
- RoHS Compliant.
- Title 24 Compliant; see local ordinance for qualification information.
- Suitable for wet Locations
- IP65 rated Luminaire per IEC 60598. IP66 rated optical chamber.
- 1.5G rated for ANSI C136.31 high vibration applications.
- DesignLights Consortium® (DLC) qualified product. Not all versions of this product may be DLC qualified. Please check the DLC Qualified Products List at www.designlights.org/QPL to confirm which versions are qualified.





Constitution Post Top

ORDERING GUIDE

[Back to Quick Links](#)TYPICAL ORDER EXAMPLE: **XCN4 PT 5W LED 18L 50 UE BLK ALBCS1 IL**

Prefix	Distribution	Light Source	Lumen Package	Color Temp	Voltage
XCN4 PT - Constitution Post Top	2 - Type 2 3 - Type 3 FT - Type 4 (Forward Throw) 5W - Type 5W	LED	10L - 10,000 Lumens 18L - 18,000 Lumens 25L - 25,000 Lumens	50K - 5,000K CCT 40K - 4,000K CCT 30K - 3,000K CCT	UNV - Universal Voltage (120-277V) HV - High Voltage (347-480V)

Finish	Controls	Options
BRZ - Dark Bronze BLK - Black GMG - Gun Metal Gray GPT - Graphite MSV - Metallic Silver PLP - Platinum Plus WHT - White	(Blank) - None Wireless Controls System ALBCS1 - AirLink Blue Wireless Motion & Photo Sensor Controller (8-24' MH) ALBCS2 - AirLink Blue Wireless Motion & Photo Sensor Controller (25-40' MH) Stand-Alone Controls CR7P - 7 Pin Control Receptacle ANSI C136.41 ¹ IMSBT1 - Integral Bluetooth™ Motion and Photocell Sensor (8-24' MH) ² IMSBT2 - Integral Bluetooth™ Motion and Photocell Sensor (25-40' MH) ²	(Blank) - None IL - Integral Louver Shield TE - Toolless Access

Accessory Ordering Information

CONTROLS ACCESSORIES ³	
Description	Order Number
PC120 Photocell for use with CR7P option (120V) ⁴	122514
PC208-277 Photocell for use with CR7P option (208V, 240V, 277V) ⁴	122515
Twist Lock Photocell (347V) for use with CR7P ⁴	122516
Twist Lock Photocell (480V) for use with CR7P ⁴	1225180
AirLink 5 Pin Twist Lock Controller ⁴	61409
AirLink 7 Pin Twist Lock Controller ⁴	661410
Shorting Cap for use with CR7P ⁴	149328

FUSING ACCESSORIES ⁵	
Description	Order Number
Single Fusing (120V)	
Single Fusing (277V)	
Double Fusing (208V,240V)	See Fusing Guide
Double Fusing (347V)	
Double Fusing (480V)	

MOUNTING ACCESSORIES	
Description	Order Number
BK MPT B04 - Bolt on Bracket (for PT 180) For 4" O.D. Round Poles	490025CLR
BK MPT B05 - Bolt on Bracket (for PT 180) For 5" O.D. Round Poles	490035CLR
WM - Post Top Wall Mount Bracket	Consult Factory

SHIELDING ACCESSORIES ²	
Description	Order Number
IL - Integral Louver (Sharp Spill Light Cutoff)	654939

FOOTNOTES:

- Control device or shorting cap must be ordered separately. See Accessory Ordering Information.
- IMSBT is field configurable via the LSI app that can be downloaded from your smartphone's native app store.
- Accessories are shipped separately and field installed.
- Factory installed CR7P option required. See Options.
- "CLR" denotes finish. See Finish options.
- Fusing must be located in hand hole of pole.
- Custom lumen and wattage packages available consult factory. Values are within industry standard tolerances but not DLC listed.





Constitution Post Top

[Back to Quick Links](#)

PERFORMANCE

DELIVERED LUMENS (OPS)*												
Lumen Package	Distribution	CRI	3000K CCT			4000K CCT			5000K CCT			Wattage
			Delivered Lumens	Efficacy	BUG Rating	Delivered Lumens	Efficacy	BUG Rating	Delivered Lumens	Efficacy	BUG Rating	
10L	2	70	8950	119	B2-U2-G3	9706	129	B3-U2-G3	10239	137	B3-U2-G3	74
	3		9811	131	B2-U2-G3	10640	142	B2-U2-G3	10720	143	B2-U2-G3	
	FT		10056	134	B3-U2-G3	10906	145	B3-U2-G3	10853	145	B3-U2-G3	
	5W		9800	131	B4-U2-G2	10627	142	B4-U2-G2	10714	143	B4-U2-G2	
18L	2	70	16943	121	B3-U2-G3	18374	131	B4-U2-G4	19383	138	B4-U2-G4	149
	3		18573	133	B3-U2-G3	20142	144	B3-U2-G4	20294	145	B3-U2-G4	
	FT		19037	136	B3-U2-G3	20645	147	B3-U2-G4	20546	147	B3-U2-G4	
	5W		18551	133	B4-U2-G2	20118	144	B4-U2-G2	20282	145	B4-U2-G2	
25L	2	70	23947	103	B4-U2-G3	25969	112	B4-U2-G3	27395	118	B4-U2-G3	231
	3		26250	113	B3-U2-G4	28468	123	B3-U2-G4	28683	124	B3-U2-G4	
	FT		26906	116	B3-U2-G4	29179	126	B3-U2-G4	29039	125	B3-U2-G4	
	5W		26219	113	B5-U2-G3	28434	123	B5-U2-G3	28666	124	B5-U2-G4	

*LED Chips are frequently updated therefore values may increase.

ELECTRICAL DATA (AMPS)*						
Lumens	120V	208V	240V	277V	347	480V
10L	0.62	0.36	0.31	0.27	0.21	0.15
15L	1.24	0.72	0.62	0.54	0.43	0.31
25L	1.93	1.11	0.96	0.83	0.67	0.48

*Electrical data at 25C (77F). Actual wattage may differ by +/-10%.





Constitution Post Top

PHOTOMETRICS

All published luminaire photometric testing performed to IESNA LM-79 standards by a certified laboratory. ISO footcandle plots below demonstrate the Constitution (XCN4) light patterns only. Not for total fixture output.

For complete specifications and IES files, see website.

XCN4 2 PT LED 18L 40

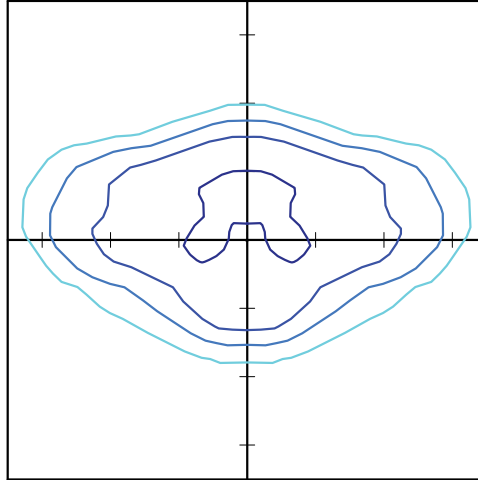
LUMINAIRE DATA

Type 2 Distribution	
Description	4000 Kelvin, 70 CRI
Delivered Lumens	17,929
Watts	155.2
Efficacy	116
IES Type	Type II - Medium
BUG Rating	B3-U2-G3

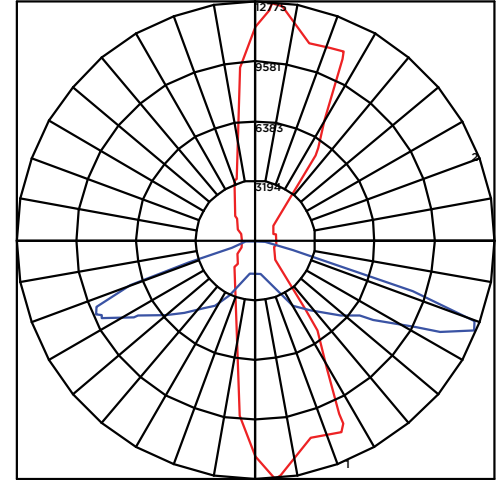
Zonal Lumen Summary

Zone	Lumens	%Luminaire
Low (0-30°)	1966	11%
Medium (30-60°)	10306	57%
High (60-80°)	5475	31%
Very High (80-90°)	141	1%
Uplight (90-180°)	41	0%
Total Flux	17929	100%

ISO FOOTCANDLE



POLAR CURVE



20' Mounting Height/20' Grid Spacing

■ 5 FC ■ 2 FC ■ 1 FC ■ 0.5 FC

XCN4 3 PT LED 18L 40

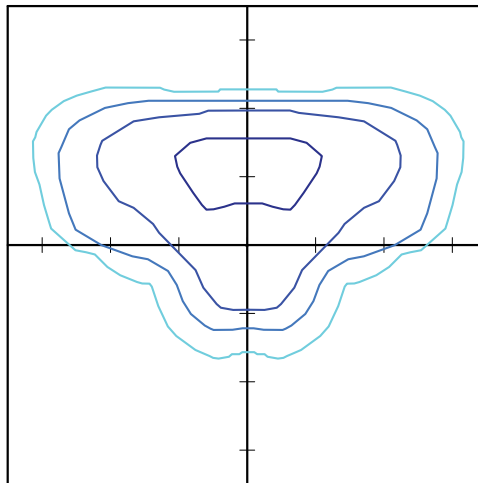
LUMINAIRE DATA

Type 3 Distribution	
Description	4000 Kelvin, 70 CRI
Delivered Lumens	18,851
Watts	155.2
Efficacy	121
IES Type	Type III - Short
BUG Rating	B3-U2-G3

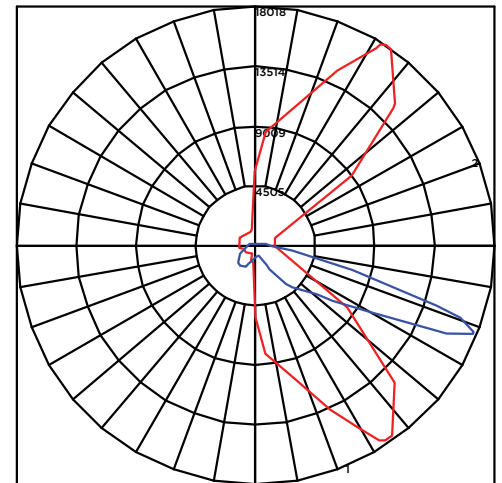
Zonal Lumen Summary

Zone	Lumens	%Luminaire
Low (0-30°)	1396	7%
Medium (30-60°)	9615	51%
High (60-80°)	7501	40%
Very High (80-90°)	284	2%
Uplight (90-180°)	55	0%
Total Flux	18851	100%

ISO FOOTCANDLE



POLAR CURVE



20' Mounting Height/20' Grid Spacing

■ 5 FC ■ 2 FC ■ 1 FC ■ 0.5 FC



Constitution Post Top

PHOTOMETRICS (CONT.)

XCN4 FT PT LED 18L 40

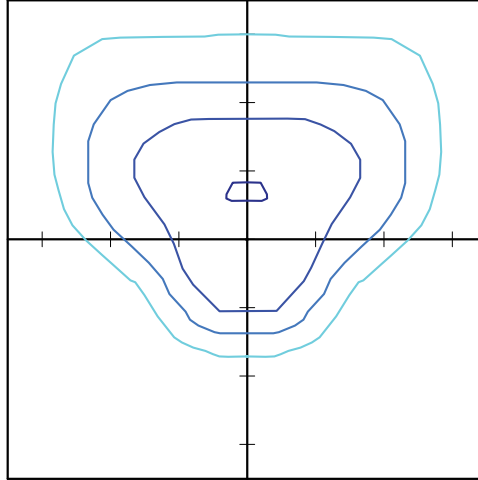
LUMINAIRE DATA

Type 2 Distribution	
Description	4000 Kelvin, 70 CRI
Delivered Lumens	18,384
Watts	155.2
Efficacy	118
IES Type	Type IV - Short
BUG Rating	B3-U2-G3

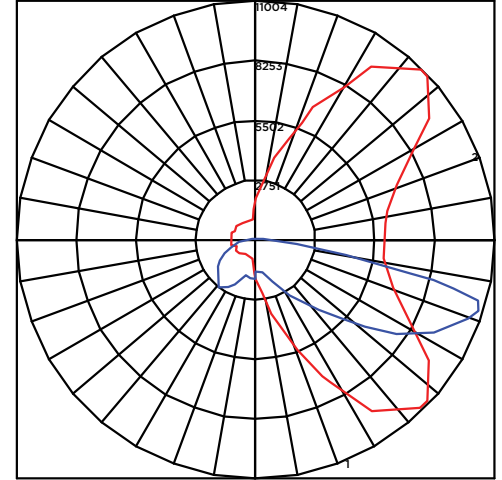
Zonal Lumen Summary

Zone	Lumens	%Luminaire
Low (0-30°)	1845	10%
Medium (30-60°)	8218	45%
High (60-80°)	7690	42%
Very High (80-90°)	568	3%
Uplight (90-180°)	63	0%
Total Flux	18384	100%

ISO FOOTCANDLE



POLAR CURVE



20' Mounting Height/20' Grid Spacing

5 FC
 2 FC
 1 FC
 0.5 FC

XCN4 5W PT LED 18L 40

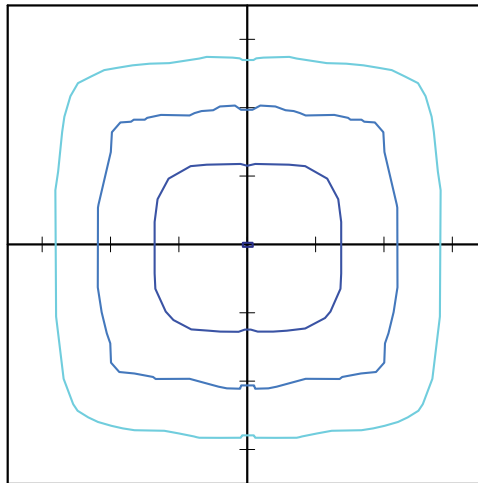
LUMINAIRE DATA

Type 3 Distribution	
Description	4000 Kelvin, 70 CRI
Delivered Lumens	18,599
Watts	154.9
Efficacy	120
IES Type	Type VS - Short
BUG Rating	B4-U2-G2

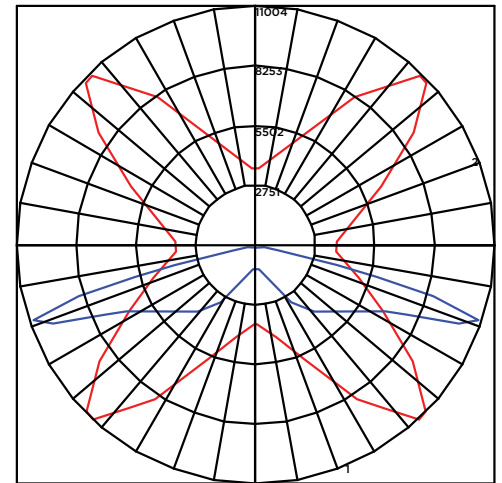
Zonal Lumen Summary

Zone	Lumens	%Luminaire
Low (0-30°)	1248	7%
Medium (30-60°)	7776	42%
High (60-80°)	9335	50%
Very High (80-90°)	190	1%
Uplight (90-180°)	50	0%
Total Flux	18599	100%

ISO FOOTCANDLE



POLAR CURVE



20' Mounting Height/20' Grid Spacing

5 FC
 2 FC
 1 FC
 0.5 FC

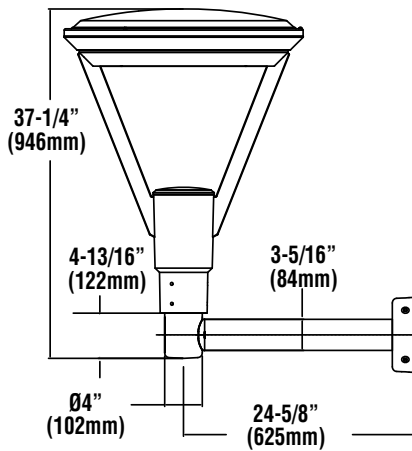
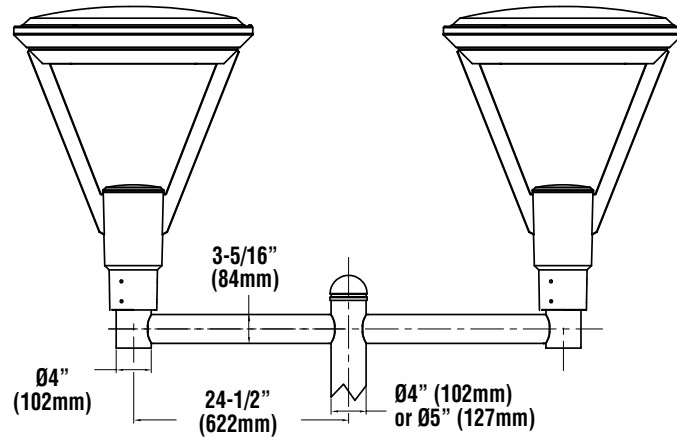
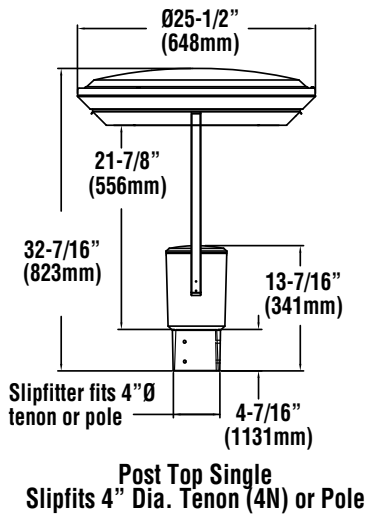




Constitution Post Top

[Back to Quick Links](#)

PRODUCT DIMENSIONS



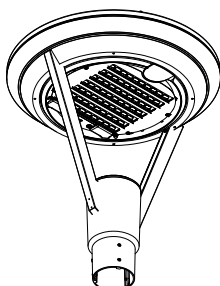
LUMINAIRE EPA CHART - Constitution

	MOUNTING STYLE	EPA
■ PT Single	PT	1.0
■ ■ ■ PT D180° with BK MPT BO (2)	PT	2.0

Integral Louver (IL)

Optional Integral Louver available for improved back-light control without sacrificing street side performance.

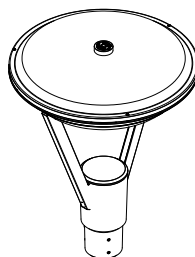
Fixture Shown with Integral Louver (IL)



7 Pin Photoelectric Control

7-pin ANSI C136.41-2013 photocontrol receptacle option available for twist lock photocontrols or wireless control modules. Control accessories sold separately. Dimming leads from the receptacle will be connected to the driver dimming leads (Consult factory for alternate wiring).

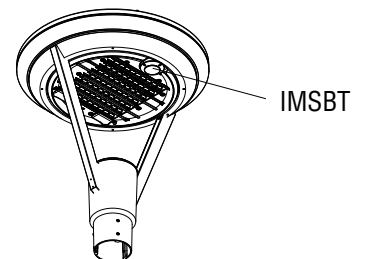
Fixture Shown with PCR 7P



Occupancy Sensor / Daylight Sensor (IMS)

Optional integral passive infrared motion and daylight sensor activates switching of luminaire light levels. Standard Factory settings: High level light is activated and increased to full bright upon detection of motion. Low light level (30% maximum drive current) is activated when target zone is absent of motion activity for -5 minutes. Sensor has a detection cone of approximately 45°, see coverage diagram. Optional configurator tool allows for easy and safe programming of each luminaire from the ground level.

Fixture Shown with IMSBT





Constitution Post Top

CONTROLS

Integral Bluetooth™ Motion and Photocell Sensor (IMSBT)

Slim low profile sensor provides multi-level control based on motion and/or daylight. Sensor controls 0-10 VDC LED drivers and is rated for cold and wet locations (-30° C to 70° C). Two unique PIR lenses are available and used based on fixture mounting height. All control parameters are adjustable via an iOS or Android App capable of storing and transmitting sensor profiles.

[Click here to learn more about IMSBT.](#)

AirLink Blue

Wireless Bluetooth Mesh Outdoor Lighting Control System that provides energy savings, code compliance and enhanced safety/security for parking lots and parking garages. Three key components; Bluetooth wireless radio/sensor controller, Time Keeper and an iOS App. Capable of grouping multiple fixtures and sensors as well as scheduling time-based events by zone. Radio/Sensor Controller is factory integrated into Area/Site, Wall Mounted, Parking Garage and Canopy luminaires.

[Click here to learn more about AirLink Blue.](#)

POLES & BRACKETS

LSI offers a full line of poles and mounting accessories to complete your lighting assembly. Aluminum and steel in both square and round shafts. In addition, LSI offers round tapered, fluted and hinge based poles. Designed and engineered for durability and protected with our oven baked DuraGrip Protection System. Also available with our DuraGrip+ Protection system for unmatched corrosion resistance and an extended warranty. American made in our Ohio facility with industry leading lead times.

[Click here to learn more details about poles & brackets.](#)



INTERNAL FLUSH MOUNT ADAPTOR (4" ROUND STRAIGHT)

Optional flush mount accessory slips inside the top of a 4" round pole for a virtually seamless transition from pole to luminaire. Painted with LSI - Duragrip paint for unmatched corrosion resistance.



SPUN ALUMINUM COLLAR Round Straight

Optional one-piece spun aluminum collar for 4" or 5" diameter straight round poles. Features durable, high quality construction with aesthetically pleasing design that slips over the pole for increased theft deterrent.



SQUARE INTERNAL TENON ADAPTOR

The Square Pole Tenon 4", 5", & 6" adaptors allow for the Opulence Post Top to be mounted on a square open top steel pole. Tenon adaptors slice into pole and hold through the securing the tenon to the pole. These tenons are made hearty steel tubing, are double-welded and are painted with LSI Duragrip paint. Shipped with mounting hardware assembled.



CONTEMPORARY BASE COVER & TAPERED POLE

Optional contemporary base cover is cast from 356 alloy aluminum and provided with an access door. Available with 10 - 18' round taper pole shafts. The complete assembly is heat-treated to a T6 temper.



ROUND EXTERNAL TENON ADAPTOR

The Round Pole Top Tenon adaptors provide the right size tenon to ensure proper mounting of the Opulence Post Top on the Round tapered or straight poles. These tenons are made from heard steel tubing, are double-welded, and are painted with LSI Duragrip paint. Shipped with mounting hardware assembled.



DECORATIVE BASE COVER Round Straight

Optional decorative base cover has a two-piece die cast construction with stainless steel fasteners. Base cover is polyester powder coated to match pole. GBC base cover fits 4" and 5" diameter straight round poles. Includes 4" round pole adaptor molded from black silicone rubber.



Square Pole
14'-30'



Round Pole
10'-30'



Tapered Pole
10'-30'

