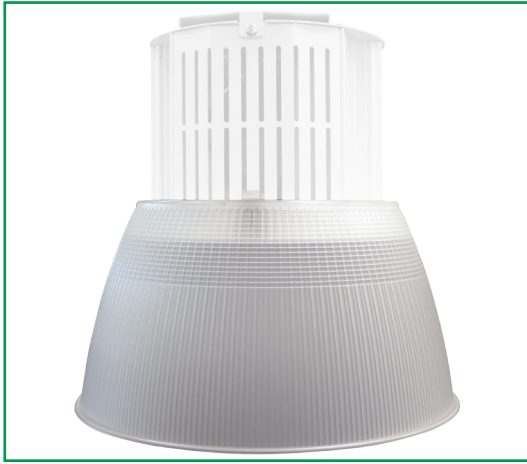


# LED AUREUS™ 16" ACRYLIC INTERIOR LOW BAY/HIGH BAY (AUM)



## DOE LIGHTING FACTS

Department of Energy has verified representative product test data and results in accordance with its Lighting Facts Program. Visit [www.lightingfacts.com](http://www.lightingfacts.com) for specific catalog strings.

LIGHT OUTPUT - AUM (Clear Refractor)					
	Lumens (Nominal)			Watts (Nominal)	LPW (Open)
	Conical Lens	Flat Lens	Open		
5000K	9001	9142	9494	76	125
	14679	14856	15555	108	144
4000K	9001	9142	9494	76	125
	13986	14089	14820	108	138
3500K	8065	8298	8617	76	113
	13839	13921	14456	108	133
3000K	8586	8665	8998	74	121
	13688	13634	14158	108	131

LIGHT OUTPUT - AUM (Frosted Refractor)					
	Lumens (Nominal)			Watts (Nominal)	LPW (Open)
	Conical Lens	Flat Lens	Open		
5000K	9001	9142	9056	76	119
	14679	14856	15794	108	146
4000K	9001	8971	9494	76	125
	13773	14089	14819	108	137
3500K	8170	8298	8617	76	113
	13839	13921	14455	108	135
3000K	8586	8665	8998	74	121
	13688	13634	14157	108	131

LED Chips are frequently updated therefore values may increase.

US patents 8,152,333 and US & Int'l. patents pending

- ENERGY SAVING CONTROL** - 0-10 volt dimming enabled with controls by others. Dimming not compatible with HCP or LCP options.
- EXPECTED LIFE** - Minimum 60,000 to 100,000 hours depending upon the ambient temperature of installation location.
- LEDs** - Select high-brightness LEDs in 5000K, 4000K, 3500K, and 3000K color temperatures. CRI >= 80.
- DISTRIBUTION PATTERN** - Symmetrical distribution provides uniform distribution of light to vertical and horizontal surfaces.
- HOUSING** - Round housing is a combination of extruded aluminum and slotted aluminum panels. Available in Clear Anodized, Gloss White, and Gloss Black Finishes.
- REFRACTOR/LENS** - 16" diameter injection molded acrylic prismatic refractors are available (clear or frosted), and with a choice of no bottom lens (open), clear acrylic flat lens, or clear conical prismatic acrylic lens. Refractor is secured to housing by self locking clips. Bottom lens is attached with a spring loaded clamp band.
- MOUNTING** - Field selectable mounting options include; direct mounting to a 4" square or octagonal junction box (by others), or 3/4" rigid conduit (by others).

- ELECTRICAL** - Two-stage surge protection (including separate surge protection built into electronic driver) meets Location Category B. Available with universal voltage power supply 120-277VAC (UE - 50/60Hz input) and 347VAC.
- DRIVER** - Components are fully encased in potting material for moistures resistance. Driver complies with FCC 47 CFR part 15 (Class A) RFI/EMI standard. 0-10 volt dimming standard.
- OPERATING TEMPERATURE** - -40°C to +40°C (-40°F to +101°F)
- FINISH** - Clear Anodized Aluminum finish standard. Also available in gloss black or gloss white.
- WARRANTY** - LSI LED fixtures carry a limited 5-year warranty
- PHOTOMETRICS** - Please visit our web site at [www.lsi-industries.com](http://www.lsi-industries.com) for detailed photometric data.
- SHIPPING WEIGHT (IN CARTON)** - 30 LBS. (13.6 kg)
- LISTING** - Listed to UL 1598 and UL 8750. Suitable For Damp Locations.

This product, or selected versions of this product, meet the standards listed below. Please consult factory for your specific requirements.



Project Name \_\_\_\_\_ Fixture Type \_\_\_\_\_  
 Catalog # \_\_\_\_\_

6/29/17

© 2017  
 LSI INDUSTRIES INC.

# LED AUREUS™ 16" ACRYLIC INTERIOR LOW BAY/HIGH BAY (AUM)

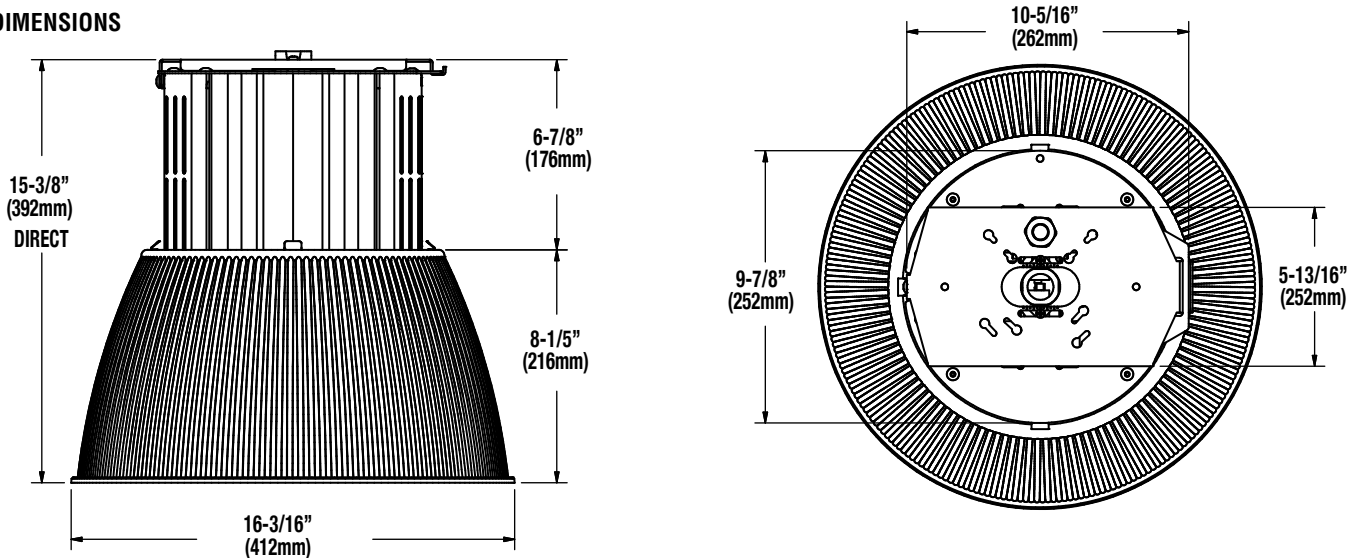
## PRODUCT ORDERING INFORMATION

TYPICAL ORDER EXAMPLE: **AUM S LED 14L 40 UE ACSF16 GWT**

Prefix	Distribution	Light Source	Lumens (nominal) <sup>3</sup>	Color Temperature	Line Voltage	Refractor	Finish	Options
AUM	S - Symmetric	LED	8L - 8,000 14L - 14,000	50 - 5000K 40 - 4000K 35 - 3500K 30 - 3000K	UE - Universal Voltage (120-27V)  347 - 347 Voltage	ACS16 - 16" Clear Acrylic - Open ACS16FA - 16" Clear Acrylic - W/ Clear Acrylic Flat lens ACS16CPA - 16" Clear Acrylic - W/ Clear Conical Prismatic Acrylic lens ACSF16 - 16" Frosted Acrylic - Open ACSF16FA - 16" Frosted Acrylic - W/ Clear Acrylic Flat lens ACSF16CPA - 16" Frosted Acrylic - W/ Clear Conical Prismatic Acrylic lens	CAA - Clear Anodized Aluminum GBK - Gloss Black GWT - Gloss White	EM - Emergency Battery DIM1 - 0-10V 1% Dimming (UE Voltage Only) HC - Hook, 6' Cord No Plug <sup>1</sup> HCP120 - Hook, 3' Cord & 120V Twistlock Plug <sup>1</sup> HCP208 - Hook, 3' Cord & 208V Twistlock Plug <sup>1</sup> HCP240 - Hook, 3' Cord & 240V Twistlock Plug <sup>1</sup> HCP277 - Hook, 3' Cord & 277V Twistlock Plug <sup>1</sup> LCP120 - Hook, 3' Cord & 120V Twistlock Plug <sup>1</sup> LCP208 - Hook, 3' Cord & 208V Twistlock Plug <sup>1</sup> LCP240 - Hook, 3' Cord & 240V Twistlock Plug <sup>1</sup> LCP277 - Hook, 3' Cord & 277V Twistlock Plug <sup>1</sup>
								<b>ACCESSORIES</b>
								AUMWG - 16" Wire Guard <sup>2</sup> SCK - Safety Chain Kit (101170)

- 1 - For Cord & Plug configurations requiring dimming and battery backup consult factory.
- 2 - Wire guard not available with lens options.
- 3 - Lumen packages based on 4000K, Open reflector option.

### DIMENSIONS



Project Name \_\_\_\_\_ Fixture Type \_\_\_\_\_  
Catalog # \_\_\_\_\_

6/29/17  
© 2017  
LSI INDUSTRIES INC.