



Catalog #: \_\_\_\_\_ Project: \_\_\_\_\_ Type: \_\_\_\_\_

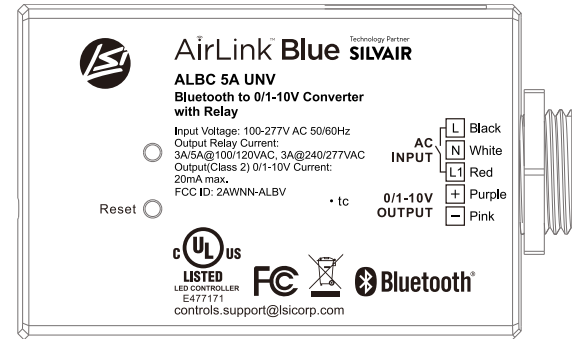
Prepared By: \_\_\_\_\_ Date: \_\_\_\_\_

# AirLink™ Blue (ALBC 5A UNV)

## 5 amp Controller



OVERVIEW	
Signal (wireless)	Bluetooth
Signal Range ft (m)	100 (30)
Output, Relay Current (A)	5
Operating Temperature F (C)	32 - 122 (0 - 50)



### QUICK LINKS

## FEATURES & SPECIFICATIONS

The AirLink Blue 5 amp controller can add any fixture into the AirLink Blue wireless mesh system through simple switch-leg wiring. Single fixtures or multiple fixtures up to 5 amps of electrical load can be wired to the controller for seamless wireless integration allowing for group control as well as remote sensor and manual device control. Utilizes a Qualified Bluetooth Mesh network. Light levels and schedules can be set through the LSI AirLink Blue iOS app.

### Construction

- Housing is white polycarbonate
- Incorporates a threaded chase and nut for installation in fixture or junction box knock-out
- Built-in 20mA 0-1 0V signal output, with 5A relay
- Mesh network, which has a much longer control distance, transmits received signals to neighboring devices
- All devices on 0-1 0V line are broadcast controlled by Silvoir Commissioning tools
- UL listed. Category: PAZX (Management Equipment, Energy). UL 2043 Plenum Rated
- 5-year warranty

### Operations

- Single fixture or multiple fixtures can be wired to the controller. Controllers can be grouped to be wirelessly controlled by sensors, manual devices and a timekeeper.
- Max Bluetooth range is 100' (30m) line of sight and highly dependent on the integration of fixtures, surrounding environment. It is recommended to conduct testing for range accuracy.

### Electrical

- 120-277VAC, 50-60Hz controller.
- 5A max input current / 120VAC = 600W, 277VAC = 1,385W

### Installation

- Designed for installation on the exterior of a luminaire housing or on a junction box utilizing chase and knock-out.
- Rated for use in 32° F to 122° F (0°C to 50°C) environments.

### Warranty

- 5-year limited warranty. Refer to <https://www.lsicorp.com/resources/terms-conditions-warranty/> for more information.

### Listings

- Bluetooth
- CE
- FCC
- UL

**AirLink™ Blue**  
Technology Partner **SILVAIR**

# AirLink™ Blue (ALBC 5A UNV) 5 amp Controller

Type: \_\_\_\_\_

 **Have questions?** Call us at (800) 436-7800

## ORDERING GUIDE

### TYPICAL ORDER EXAMPLE: ALBC 5A UNV

Order Number Prefix	Description	Part Number
ALBC 5A UNV	AirLink Blue Controller (5A)	797938

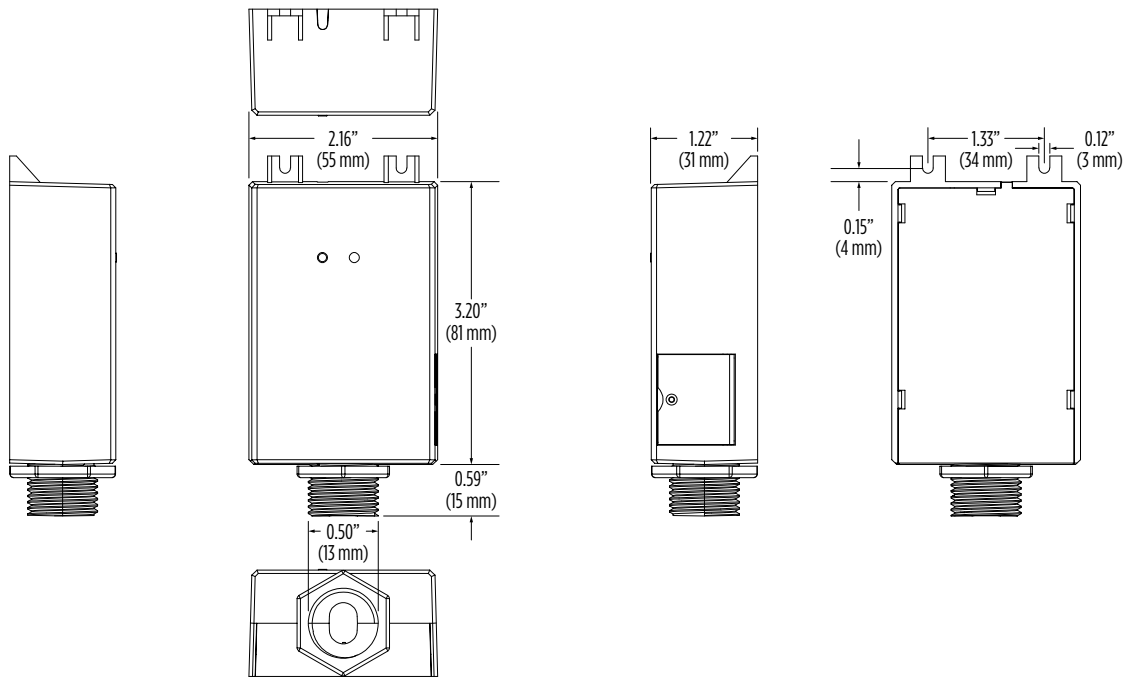


**Need more information?**  
[Click here for our glossary.](#)

**Have additional questions?**  
 Call us at (800) 436-7800



## PRODUCT DIMENSIONS



## WIRING

### 0-10V Dimming with Relay

