



Mirada Medium Wall Sconce (XWM)

Outdoor Wall Sconce



OVERVIEW

Lumen Package	3,000 - 21,000
Wattage Range	23 - 175
Efficacy Range (LPW)	125 - 158
Weight lbs(kg)	27 (12.2)
Control Options	IMSBT, ALB, ALS, PCI

QUICK LINKS

FEATURES & SPECIFICATIONS

Construction

- Rugged die-cast aluminum housing contains factory prewired driver and optical unit. Hinged die-cast aluminum wiring access door located underneath.
- Galvanized-steel universal wall mount bracket comes standard with hinging mechanism to easily access the junction box wire connections without removing the luminaire.
- Optional pole-mounting bracket (XPMA) permits mounting to standard poles.
- Fixtures are finished with LSI's DuraGrip® polyester powder coat finishing process. The DuraGrip finish withstands extreme weather changes without cracking or peeling. Other standard LSI finishes available. Consult factory.
- Max shipping weight: 30lbs in carton

Optical System

- State-of-the-Art one piece silicone optic provides industry leading optical control while also acting as an integrated gasket reducing system complexity and improving fixture reliability.
- Proprietary silicone refractor optics provide exceptional coverage and uniformity in Types 2, 3, 4, and FT distributions.
- Silicone optical material does not yellow or crack with age and provides a typical light transmittance of 93-95%.
- Zero uplight.
- Available in 5000K, 4000K and 3000K color temperatures per ANSI C78.377. Also Available in Phosphor Converted Amber with Peak intensity at 610nm.
- Minimum CRI of 70.

Electrical

- High-performance programmable driver features over-voltage, under-voltage, short-circuit and over temperature protection. Custom lumen and wattage packages available.

- 0-10V dimming (10% - 100%) standard.
- Standard Universal Voltage (120-277 Vac) Input 50/60 Hz or optional High Voltage (347-480 Vac).
- L80 Calculated Life: >100k Hours
- Total harmonic distortion (THD): <20%
- 3L to 12L operating temperature: -40°C to +50°C (-40°F to +122°F)
- 15L operating temperature: -40°C to +45°C (-40°F to +113°F).
- 18L operating temperature: -40°C to +40°C (-40°F to +104°F).
- 21L operating temperature: -40°C to +35°C (-40°F to +95°F).
- Power factor (PF): >.90
- Input power stays constant over life.
- Optional 10kV surge protection device meets a minimum Category C Low operation (per ANSI/IEEE C62.41.2).
- High-efficacy LEDs mounted to metal-core circuit board to maximize heat dissipation
- Components are fully encased in potting material for moisture resistance. Driver complies with FCC standards. Driver and key electronic components can easily be accessed via hinged door.
- Optional integral emergency battery pack provides 90-minutes of constant power to the LED system, ensuring code compliance. A test switch/indicator button is installed on the housing for ease of maintenance. The fixture delivers 1500 lumens during emergency mode.

Controls

- Integral passive infrared Bluetooth™ motion sensor options. Fixtures operate independently and can be commissioned via an iOS or Android configuration app. Updates and modifications to the control strategy are easily implemented via an intuitive app.

- LSI's AirLink™ Blue lighting control system is a simple feature rich wireless Bluetooth mesh network. The integrated fixture sensor module provides wireless control of grouped fixtures based on motion sensors, daylight or a fully customizable schedule.

Installation

- Universal wall mounting plate easily mounts directly to 4" octagonal or square junction box.
- 2 fasteners secure the hinged door underneath the housing and provide quick & easy access to the electrical compartment for installing/servicing.
- Optional terminal block accepts up to 12 ga wire.

Warranty

- LSI luminaires carry a 5-year limited warranty. Refer to <https://www.lsicorp.com/resources/terms-conditions-warranty/> for more information.
- 1 Year warranty on Battery Back-up option.

Listings

- Listed to UL 1598 and UL 8750.
- Meets Buy American Act requirements.
- IDA compliant; with 3000K or lower color temperature selection.
- Title 24 Compliant; see local ordinance for qualification information.
- Suitable for wet Locations.
- IP65 rated luminaire per IEC 60598.
- 3G rated for ANSI C136.31 high vibration applications when pole mounted (using optional XPMA bracket) or wall mounted.
- IK08 rated luminaire per IEC 66262 mechanical impact code
- DesignLights Consortium® (DLC) Premium qualified product. Not all versions of this product may be DLC Premium qualified. Please check the DLC Qualified Products List at www.designlights.org/QPL to confirm which versions are qualified.

Mirada Medium Wall Sconce (XWM) Outdoor Wall Sconce

Type : _____

 **Have questions?** Call us at (800) 436-7800

ORDERING GUIDE

TYPICAL ORDER EXAMPLE: XWM 2 LED 03L 30 UE BRZ ALSC				
Family	Distribution	Light Source	Lumen Package	Color Temperature
XWM - Mirada Medium Wall Sconce	2 - Type 2 3 - Type 3 4 - Type 4 FT - Type 4 Forward Throw	LED	3L - 3,000 4L - 4,000 6L - 6,000 8L - 8,000 12L - 12,000 15L - 15,000 18L - 18,000 21L - 21,000 Custom Lumen Packages ¹	30 - 3000K 40 - 4000K 50 - 5000K AMB - Phosphor Converted Amber ²
Voltage	Finish	Controls		Options
UE - Universal Voltage (120-277V) HV - High Voltage (347-480V)	BLK - Black BRZ - Dark Bronze GMG - Gun Metal Gray GPT - Graphite MSV - Metallic Silver PLP - Platinum Plus SVG - Satin Verde Green WHT - White	Blank - None Wireless Controls ALSC - AirLink Synapse Control System ALSCS01 - AirLink Synapse Control System with 8-12' Motion Sensor ALSCS02 - AirLink Synapse Control System with 12-20' Motion Sensor ALBCS1 - AirLink Blue Wireless Motion & Photo Sensor Controller (8-24' MH) ³ ALBCS2 - AirLink Blue Wireless Motion & Photo Sensor Controller (25-40' MH) ³ Standalone Controls DIM - 0-10v Dimming leads extended to housing exterior IMSBT1 - Integral Bluetooth™ Motion and Photocell Sensor (8-24' MH) ^{3,4} IMSBT2 - Integral Bluetooth™ Motion and Photocell Sensor (25-40' MH) ^{3,4} Button Type Photocells PCI120 - 120V PCI208-277 - 208 -277V PCI347 - 347V		Blank - None BB - Battery Back-up (0°C) ⁵ CWBB - Cold Weather Battery Backup (-20°C) ⁵ XPMA - Pole Mounting Bracket SP1 - 10kV Surge Protection TB - Terminal Block



Need more information?
Click here for our glossary

Have additional questions?
Call us at (800) 436-7800



FUSING ACCESSORY ORDERING INFORMATION⁶

Part Number	Description
FK120 ⁷	FK120 - Single Fusing
FK277 ⁷	FK277 - Single Fusing
FK347 ⁷	FK347 - Single Fusing
DFK208 ⁷	DFK - Double Fusing
DFK240 ⁷	DFK - Double Fusing (240V)
DFK480 ⁷	DFK - Double Fusing (480V)

MOUNTING ACCESSORY ORDERING INFORMATION⁶

Part Number ⁸	Description
809374CLR	XWM Wet Location Surface Conduit/Wiring Box
751632	10' Linear Bird Spike Kit (2' Recommended per Luminaire)

¹ Custom lumen and wattage packages available consult factory. Values are within industry standard tolerances but not DLC listed.
² Only available in 6L Lumen Package. Consult factory for lead time and availability.
³ IMSBT and ALBCS control options are not available in 3L or 4L lumen packages when high voltage (HV) is specified.
⁴ IMSBTxL is field configurable via the Leviton app that can be downloaded from your smartphone's app store.

⁵ Not available in HV.
⁶ Accessories are shipped separately and field installed.
⁷ Fusing must be located in a hand hole for pole or in the junction box.
⁸ "CLR" to be replaced by paint finish selection. See Finish options for paint color selections.

Mirada Medium Wall Sconce (XWM) Outdoor Wall Sconce

Type : _____

 Have questions? Call us at (800) 436-7800

PERFORMANCE

Delivered Lumens ¹												
Lumen Package	Distribution	CRI	3000K			4000K			5000K			Wattage
			Delivered Lumens	Efficacy	BUG Rating	Delivered Lumens	Efficacy	BUG Rating	Delivered Lumens	Efficacy	BUG Rating	
3L	2	70	3,178	138	B1-U0-G1	3,368	146	B1-U0-G1	9,853	159	B1-U0-G1	23
	3		3,224	140	B1-U0-G1	3,416	148	B1-U0-G1	3,361	145	B1-U0-G1	
	4		3,210	140	B1-U0-G2	3,364	146	B1-U0-G2	3,294	143	B1-U0-G2	
	FT		3,160	137	B1-U0-G1	3,349	145	B1-U0-G1	3,294	143	B1-U0-G1	
4L	2	70	4,230	139	B1-U0-G1	4,483	147	B1-U0-G1	4,410	145	B1-U0-G1	30
	3		4,291	141	B1-U0-G1	4,547	150	B1-U0-G1	4,473	147	B1-U0-G1	
	4		4,234	141	B1-U0-G2	4,437	148	B1-U0-G2	4,344	145	B1-U0-G2	
	FT		4,206	138	B1-U0-G1	4,458	147	B1-U0-G1	4,385	144	B1-U0-G1	
6L	2	70	6,326	134	B2-U0-G1	6,704	142	B2-U0-G2	6,595	140	B2-U0-G2	47
	3		6,417	136	B1-U0-G2	6,800	144	B2-U0-G2	6,689	142	B2-U0-G2	
	4		6,336	135	B1-U0-G3	6,640	141	B1-U0-G3	6,500	138	B1-U0-G3	
	FT		6,290	134	B2-U0-G2	6,666	142	B2-U0-G2	6,557	139	B2-U0-G2	
8L	2	70	8,166	128	B2-U0-G2	8,654	135	B2-U0-G2	8,513	133	B2-U0-G2	64
	3		8,283	129	B2-U0-G2	8,778	137	B2-U0-G2	8,635	134	B2-U0-G2	
	4		8,362	131	B1-U0-G3	8,763	137	B2-U0-G3	8,579	134	B1-U0-G3	
	FT		8,120	126	B2-U0-G2	8,605	134	B2-U0-G2	8,465	132	B2-U0-G2	
12L	2	70	11,492	149	B2-U0-G2	12,033	156	B3-U0-G2	11,927	155	B3-U0-G2	77
	3		11,757	153	B2-U0-G2	12,311	160	B2-U0-G2	12,203	158	B2-U0-G2	
	4		11,486	149	B2-U0-G3	12,058	157	B2-U0-G3	11,716	152	B2-U0-G3	
	FT		11,721	152	B2-U0-G2	12,274	159	B2-U0-G3	12,166	158	B2-U0-G3	
15L	2	70	14,221	145	B3-U0-G2	14,891	152	B3-U0-G2	14,760	151	B3-U0-G2	98
	3		14,549	148	B2-U0-G2	15,235	155	B2-U0-G2	15,101	154	B2-U0-G2	
	4		14,099	144	B2-U0-G3	14,801	151	B2-U0-G3	14,382	147	B2-U0-G3	
	FT		14,505	148	B2-U0-G3	15,189	155	B2-U0-G3	15,055	154	B2-U0-G3	
18L	2	70	16,894	138	B3-U0-G3	17,690	145	B3-U0-G3	17,534	144	B3-U0-G3	122
	3		17,285	142	B3-U0-G3	18,099	148	B3-U0-G3	17,940	147	B3-U0-G3	
	4		16,951	139	B2-U0-G3	17,795	146	B3-U0-G3	17,291	142	B3-U0-G3	
	FT		17,231	141	B3-U0-G3	18,044	148	B3-U0-G3	17,885	147	B3-U0-G3	
21L	2	70	19,961	133	B3-U0-G3	20,902	139	B3-U0-G3	20,718	138	B3-U0-G3	150
	3		20,422	136	B3-U0-G3	21,385	143	B3-U0-G3	21,197	141	B3-U0-G3	
	4		19,768	132	B3-U0-G4	20,753	138	B3-U0-G5	20,165	134	B3-U0-G4	
	FT		20,360	136	B3-U0-G3	21,320	142	B3-U0-G3	21,132	141	B3-U0-G3	

Electrical Data (Amps) - 3000K/4000K/5000K ²						
Lumen Package	120V	208V	240V	277V	347V	480V
3L	0.19	0.11	0.10	0.08	0.07	0.05
4L	0.25	0.14	0.13	0.11	0.09	0.06
6L	0.39	0.23	0.20	0.17	0.14	0.10
9L	0.53	0.31	0.27	0.23	0.18	0.13
12L	0.64	0.37	0.32	0.28	0.22	0.16
15L	0.82	0.47	0.41	0.35	0.28	0.20
18L	1.02	0.59	0.51	0.44	0.35	0.25
21L	1.25	0.72	0.63	0.54	0.43	0.31

Delivered Lumens (Phosphor Converted Amber)					
Lumen Package	Distribution	Amber			Wattage
		Delivered Lumens	Efficacy	BUG Rating	
6L	2	3,325	76	B1-U0-G1	44
	3	3,385	78	B1-U0-G1	
	4	3,310	75	B1-U0-G1	
	FT	3,343	77	B1-U0-G1	

Recommended Lumen Maintenance - XWM ³					
Ambient Temperature C°	Initial ⁴	25K hrs. ⁴	50K hrs. ⁴	75K hrs. ⁵	100K hrs. ⁵
35	99%	97%	95%	93%	91%
50	100%	98%	95%	93%	90%

1 LEDs are frequently updated therefore values are nominal

2 Electrical data at 25C (77F). Actual wattage may differ by +/-10%.

3 Lumen maintenance values at 25°C are calculated per TM-21 based on LM-80 data and in-situ luminaire testing.

4 In accordance with IESNA TM-21-11, Projected Values represent interpolated value based on time durations that are within six times (6X) the IESNA LM-80-08 total test duration (in hours) for the device under testing (DUT) i.e. the packaged LED chip).

5 In accordance with IESNA TM-21-11, Calculated Values represent time durations that exceed six times NA LM-80-08 total test duration (in hours) for the device under testing (DUT) i.e. the packaged LED chip).

Mirada Medium Wall Sconce (XWM) Outdoor Wall Sconce

Type : _____

 Have questions? Call us at (800) 436-7800

PHOTOMETRICS

Luminaire photometry has been conducted by a NVLAP accredited testing laboratory in accordance with IESNA LM-79-08. As specified by IESNA LM-79-08 the entire luminaire is tested as the source resulting in a luminaire efficiency of 100%.

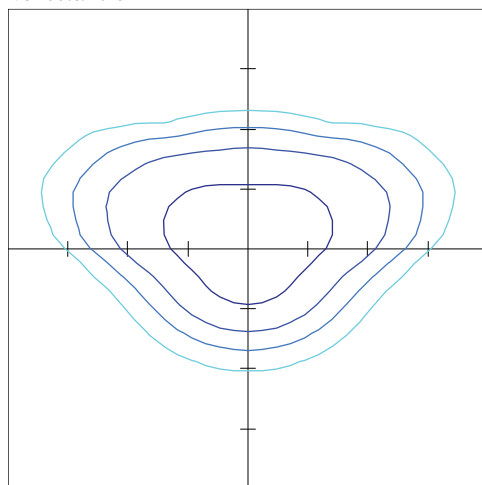
See the individual product page on <https://www.lsicorp.com/> for detailed photometric data.

XWM-2-LED-12L-40

Luminaire Data	
Type 2 Distribution	
Description	4000 Kelvin, 70 CRI
Delivered Lumens	12,033
Watts	77
Efficacy	156
IES Type	Type II - Short
BUG Rating	B3-U0-G2

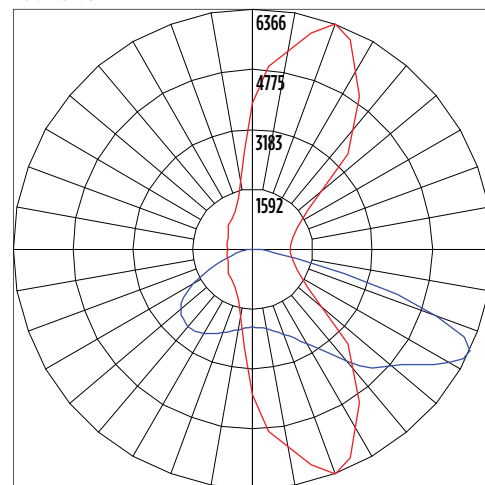
Zonal Lumen Summary		
Zone	Lumens	% Luminaire
Low (0-30°)	1,961	16%
Medium (30-60°)	6,874	57%
High (60-80°)	3,014	25%
Very High (80-90°)	184	2%
Uplight (90-180°)	0	0%
Total Flux	12,033	100%

ISO Footcandle



15' Mounting Height / 15' Grid Spacing
 5 FC 2 FC 1 FC 0.5 FC

Polar Curve



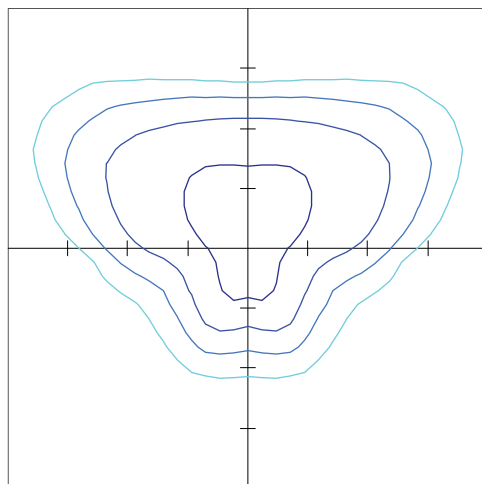
Vertical Plane Horizontal Cone

XWM-3-LED-12L-40

Luminaire Data	
Type 3 Distribution	
Description	4000 Kelvin, 70 CRI
Delivered Lumens	12,311
Watts	77
Efficacy	160
IES Type	Type III - Short
BUG Rating	B2-U0-G2

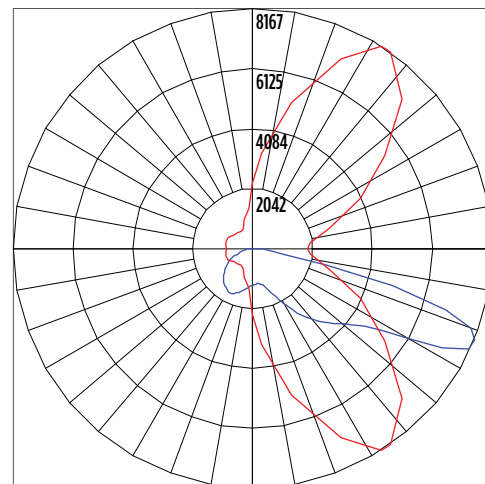
Zonal Lumen Summary		
Zone	Lumens	% Luminaire
Low (0-30°)	1,340	11%
Medium (30-60°)	6,164	50%
High (60-80°)	4,549	37%
Very High (80-90°)	258	2%
Uplight (90-180°)	0	0%
Total Flux	12,311	100%

ISO Footcandle



15' Mounting Height / 15' Grid Spacing
 10 FC 5 FC 2 FC 1 FC

Polar Curve



Vertical Plane Horizontal Cone

Mirada Medium Wall Sconce (XWM) Outdoor Wall Sconce

Type : _____

 Have questions? Call us at (800) 436-7800

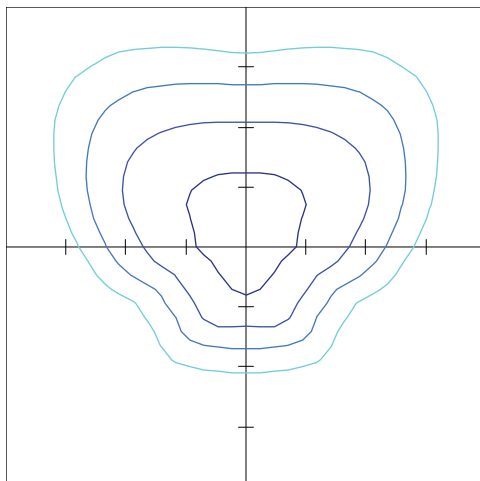
PHOTOMETRICS

XWM-FT-LED-12L-40

Luminaire Data	
Type FT Distribution	
Description	4000 Kelvin, 70 CRI
Delivered Lumens	12,274
Watts	77
Efficacy	159
IES Type	Type IV - Short
BUG Rating	B2-U0-G3

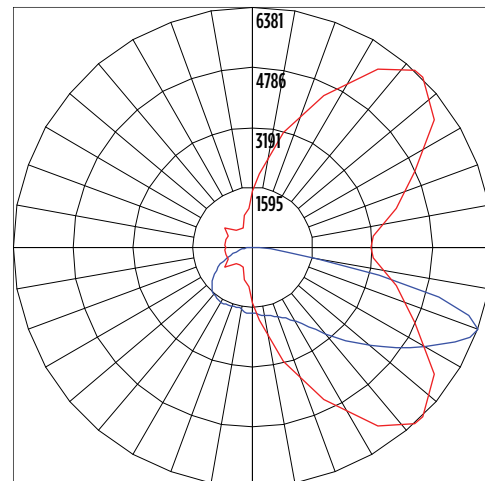
Zonal Lumen Summary		
Zone	Lumens	% Luminaire
Low (0-30°)	1,578	13%
Medium (30-60°)	5,798	47%
High (60-80°)	4,576	37%
Very High (80-90°)	322	3%
Uplight (90-180°)	0	0%
Total Flux	12,274	100%

ISO Footcandle



15' Mounting Height / 15' Grid Spacing
 5 FC 2 FC 1 FC 0.5 FC

Polar Curve



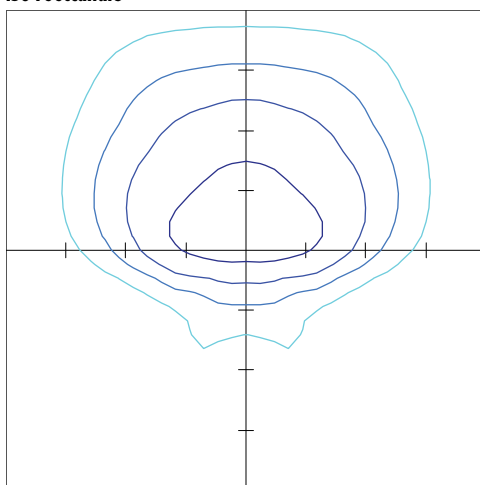
Vertical Plane Horizontal Cone

XWM-4-LED-12L-40

Luminaire Data	
Type 4 Distribution	
Description	4000 Kelvin, 70 CRI
Delivered Lumens	12,058
Watts	77
Efficacy	157
IES Type	Type IV - Very Short
BUG Rating	B2-U0-G3

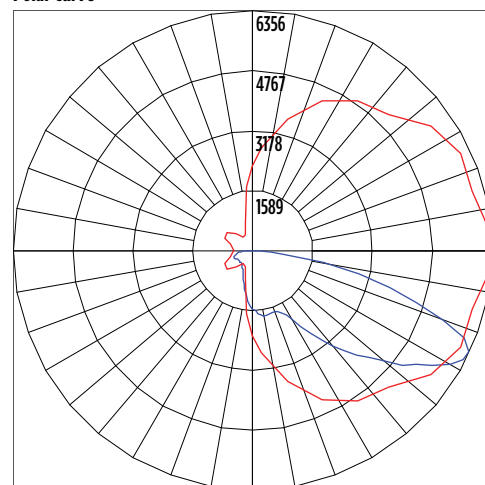
Zonal Lumen Summary		
Zone	Lumens	% Luminaire
Low (0-30°)	1,345	11%
Medium (30-60°)	5,394	45%
High (60-80°)	4,855	40%
Very High (80-90°)	464	4%
Uplight (90-180°)	0	0%
Total Flux	12,058	100%

ISO Footcandle



15' Mounting Height / 15' Grid Spacing
 5 FC 2 FC 1 FC 0.5 FC

Polar Curve



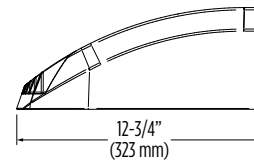
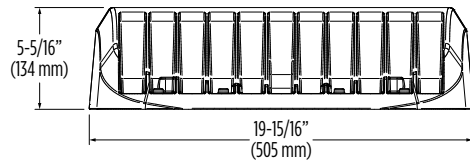
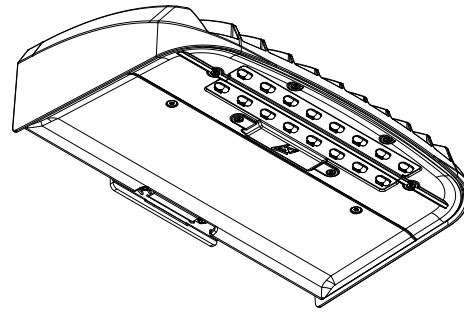
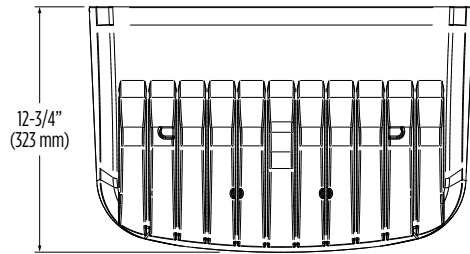
Vertical Plane Horizontal Cone

Mirada Medium Wall Sconce (XWM) Outdoor Wall Sconce

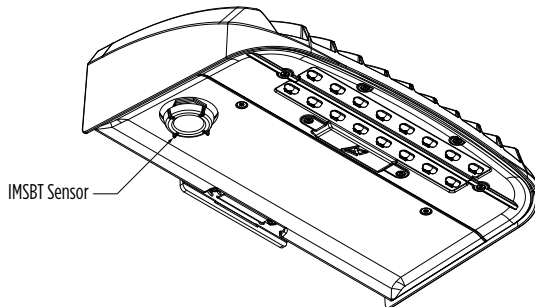
Type : _____

 **Have questions?** Call us at (800) 436-7800

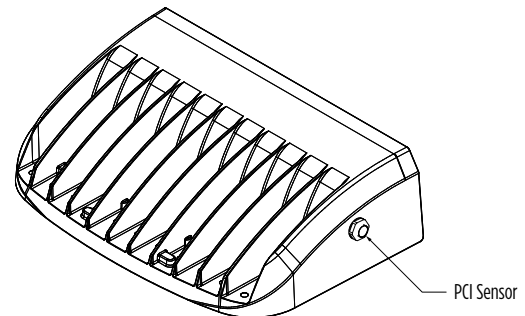
PRODUCT DIMENSIONS



**Mirada Medium Wall Sconce with
Integral Bluetooth™ Motion and Photocell Sensor**
(XWM IMSBTxL)

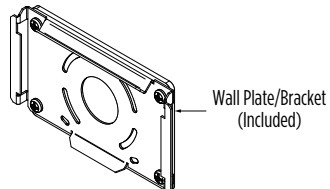
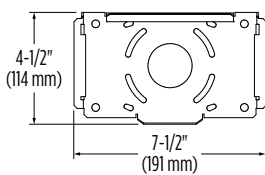


**Mirada Medium Wall Sconce with
Button Type Photocell**
(XWM PCI)

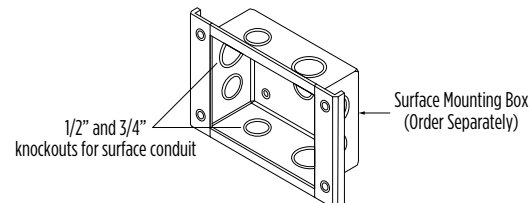


Mounting Options

Mounting Over Junction Box
(Standard/Included)



XWM Wet Location Surface Conduit/Wiring Box
(809374CLR)



Mirada Medium Wall Sconce (XWM) Outdoor Wall Sconce

Type : _____

 **Have questions?** Call us at (800) 436-7800

CONTROLS

Integral Bluetooth™ Motion and Photocell Sensor (IMSBTxL)

Slim low profile sensor provides multi-level control based on motion and/or daylight. Sensor controls 0-10 VDC LED drivers and is IP66 rated for cold and wet locations (-40°F to 167°F). Two unique PIR lenses are available and used based on fixture mounting height. All control parameters are adjustable via an iOS or Android App capable of storing and transmitting sensor profiles.

[Click here to learn more details about IMSBT](#)



LEVITON App



Apple



Android

AirLink Wireless Lighting Controller (ALSC, ALSCS)

The AirLink integrated controller is a California Title 24 compliant lighting controller that provides real-time light monitoring and control with utility-grade power monitoring. It includes a 24V sensor input and power supply to connect a sensor into the outdoor AirLink wireless lighting system. The wireless integrated controller is compatible with this fixture.

[Click here to learn more details about AirLink](#)

AirLink Blue (ALBCSx)

Wireless Bluetooth Mesh Outdoor Lighting Control System that provides energy savings, code compliance and enhanced safety/security for parking lots and parking garages. Three key components; Bluetooth wireless radio/sensor controller, Time Keeper and an iOS App. Capable of grouping multiple fixtures and sensors as well as scheduling time-based events by zone. Radio/Sensor Controller is factory integrated into Area/ Site, Wall Mounted, Parking Garage and Canopy luminaires.

[Click here to learn more details about AirLink Blue](#)



AirLink Blue App



Apple

Sensor Sequence of Operations

Standard Programming	On Event	Off Event	On Light Level	Dim Light Level	Daylight Harvesting	Delay To Off	Sensitivity
IMSBTxL	Motion	No Motion	100%	N/A	On; Auto Calibration	20 minutes	High

Operation	Description
On Event	Trigger that activates lights to turn on; either automatic via motion detected or manually activated via push of button.
Off Event	Trigger that activates lights to turn off; either automatic via no motion detected or manually activated via push of button.
On Light Level	The light level that the fixtures will turn on to when ON EVENT occurs.
Dim Light Level	The light level that the fixtures will dim down to when no motion is detected.
Delay to Dim	The amount of time after which no motion is detected that the fixtures will be triggered to dim down. This sequence is optional, and sensor can be programmed to only trigger the fixture to turn off by entering 100% in this field.
Delay to Off	The amount of time after which no motion is detected that the fixtures will be triggered to turn off. If delay to dim is part of the programmed functionality, this is the amount of time after which no motion is detected after the fixture have already dimmed down.
Sensitivity	The sensitivity can be set to high, medium, low, or auto where applicable. High will detect smaller, simple motions. Low will only detect larger more complex motions. Auto temperature calibration adjusts the PIR sensitivity as ambient temperature rises to increase detection of heat movement through the field of view.