



Triumph (TRI)

Architectural LED Troffer



OVERVIEW

Lumen Package (lm)	3,500 - 6,250
Color Temperature (K)	3000 - 3500 - 4000 - 5000
Wattage Range (W)	30-50
Efficacy Range (LPW)	112 - 138
Weight lbs (kg)	2x2 - 10.2 (4.6)

QUICK LINKS

FEATURES & SPECIFICATIONS

Construction

- Full body housing 2x2
- Cold-rolled sheet metal 22 gauge
- Post-painted for high quality finish
- Operating temperature: 32°F to +104°F (0°C to 40°C)
- Factory-installed perf options

Optical System

- Backlit illumination for uniform luminance
- Selectable brightness to suit a wide range of applications
- Selectable CCT for maximum user flexibility
- Minimum color rendering index (CRI) of 80 for high visual acuity

Electrical

- High-performance driver features over-voltage, under-voltage, short-circuit and over-temperature protection
- Selectable power to maximize energy savings

- 0-10V dimming (10% - 100%) standard
- Standard Universal Voltage (120-277VAC) Input 50/60 Hz
- L70 Calculated Life: >100k hours (See Lumen Maintenance on Page 2)
- Power factor (PF): > 0.90
- Total harmonic distortion (THD): <20%

Controls

- Fixture-integrated as well as external control options
- Standalone or Networked sensors available
- Available with Integrated AirLink Blue (ALB). ALB is a low-power wireless Bluetooth mesh control system. ALB provides significant energy savings while ensuring code compliance and security. Also available with third party controls. See ordering guide for details.

Installation

- Recessed grid mounting
- Includes earthquake clips for secondary retention

Warranty

- LSI luminaires carry a 5-year limited warranty. Refer to <https://www.lsicorp.com/resources/terms-conditions-warranty/> for more information.
- 1 Year warranty on optional Battery Backup. Test regularly in accordance with local codes.

Listings

- Certified to UL 1598 and UL 8750.
- Suitable for damp locations.
- DesignLights Consortium® (DLC) Premium qualified product. Not all versions of this product may be DLC Premium qualified. Please check the DLC Qualified Products List at www.designlights.org/QPL to confirm which versions are qualified.

ORDERING GUIDE

TYPICAL ORDER EXAMPLE: TRI22 FS UNV ALBCSD				
Prefix	Lumen Package / Color Temperature	Voltage	Controls	Options
TRI22 - Triumph 2x2 ¹	FS - 3,500 - 4,800 - 6,250 lm / 3000 - 3500 - 4000 - 5000K	UNV - Universal Voltage (120-277VAC)	Blank - None IMS1 - Standalone Integral PIR Motion and Daylight sensor ALBCSD - Integrated AirLink Blue Wireless Motion and Daylight Harvesting Sensor ALBC - Integrated AirLink Blue Controller	Blank - No Options EM - 10W Emergency Battery Backup 120-277VAC ¹ FC15D - 6' Cord 3/8" (5 Wire) #18 Leads FC16DEM - 6' Cord 3/8" (6 Wire) #18 Leads PFC22 - 2x2 Perf Lens, Circular Aperture PFR22 - 2x2 Perf Lens, Rectangular Aperture WxxCyy - Factory Locked Wattage and CCT (See Performance Table for Available Configurations) CPL - Chicago Plenum Custom Perf Options Available²



Need more information?
[Click here for our glossary](#)

Have additional questions?
 Call us at (800) 436-7800



ACCESSORY ORDERING INFORMATION³

Part Number	Description
M20027	Flange Kit 2x2
786277	8W Remote Battery with T-Grid Hangar
778196	8W Remote Battery without T-Grid Hangar

CONTROLS ORDERING INFORMATION

Part Number	Order Number	Description
797938	ALBC 5A	5A Circuit Controller
760380	ALBCM OS	AirLink Blue Ceiling Motion Sensor White

PERFORMANCE

Delivered Lumens ⁴									
Lumen Package	Wattage	3000K		3500K		4000K		5000K	
		Delivered Lumens	Efficacy	Delivered Lumens	Efficacy	Delivered Lumens	Efficacy	Delivered Lumens	Efficacy
TRI22	51	5,891	116	5,942	117	5,998	118	6,262	124
	41	4,778	117	4,817	118	4,866	119	5,080	125
	32	3,537	112	3,766	119	3,805	120	3,972	125

Electrical Data - Current Draw AMPS ⁵					
Lumen Package	Wattage	120V	208V	240V	277V
TRI22	50.0	0.42	0.24	0.21	0.18
	40.7	0.34	0.2	0.17	0.15
	31.7	0.27	0.15	0.13	0.12

Recommended Lumen Maintenance ⁶					
Ambient Temperature °C	Initial ⁷	25K hrs. ⁷	50K hrs. ⁷	75K hrs. ⁸	100K hrs. ⁸
0	100%	97%	93%	89%	85%
10	100%	97%	93%	89%	85%
20	100%	97%	93%	89%	85%
25	100%	97%	93%	89%	85%
30	100%	97%	92%	88%	84%
40	100%	96%	92%	87%	83%

1 WSCS, AVC, AVCM not available with EM option on 2x2.
 2 Contact factory for details.
 3 Mounting options are field installed.
 4 LEDs are frequently updated therefore values are nominal.
 5 Electrical data at 25C (77F). Actual wattage may differ by +/-10%.

6 Lumen maintenance values at 40C are calculated per TM-21 based on LM-80 data and in-situ testing.
 7 In accordance with IESNA TM-21-11, Projected Values represent interpolated value based on time durations that are within six times the IESNA LM-80-08 total test duration for the device under testing.
 8 In accordance with IESNA TM-21-11, Calculated Values represent time durations that exceed six times the IESNA LM-80-08 total test duration for the device under testing. Perf options cut down light by 15-20%, also not DLC listed.

PHOTOMETRICS

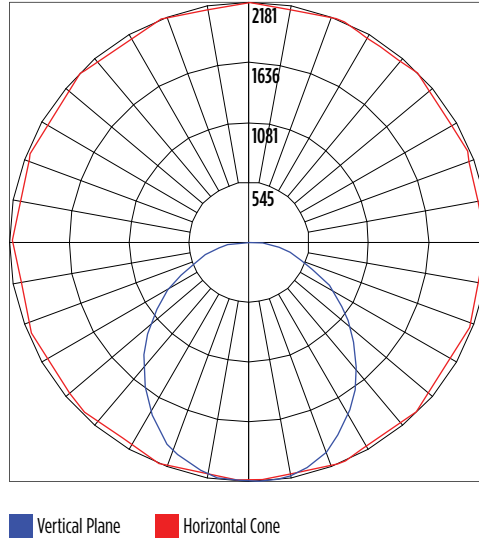
Luminaire photometry has been conducted by a NVLAP accredited testing laboratory in accordance with IESNA LM-79-08. As specified by IESNA LM-79-08 the entire luminaire is tested as the source resulting in a luminaire efficiency of 100%.

See the individual product page on <https://www.lsicorp.com/> for detailed photometric data.

TRI22-FS-51W-4000K

Zonal Lumen Summary		
Zone	Lumens	% Luminaire
0-20	801.76	13.4
0-30	1,697.36	28.3
0-40	2,758.39	46.0
0-60	4,773.83	79.6
0-80	5,880.66	98.0
0-90	5,998.03	100.0
10-90	5,790.91	96.5
20-40	1,956.63	32.6
20-50	3,028.96	50.5
40-70	2,719.05	45.3
60-80	1,106.83	18.5
70-80	403.22	6.7
80-90	117.38	2.0
0-180	5,998.03	100

Polar Curve



CCT Proration TRI22	
CCT	Proration Factor
3000K	0.982
3500K	0.990
4000K	1.000
5000K	1.044

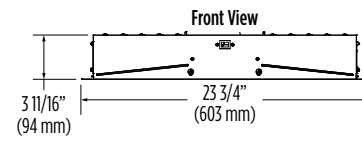
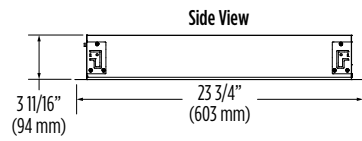
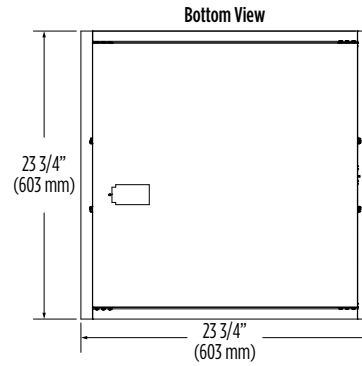
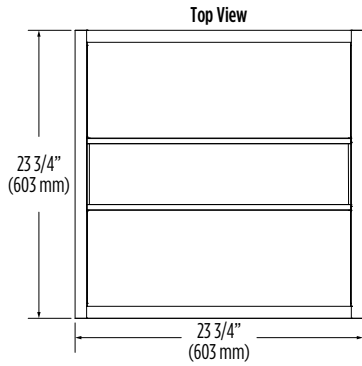
Triumph (TRI) Architectural LED Troffer

Type: _____

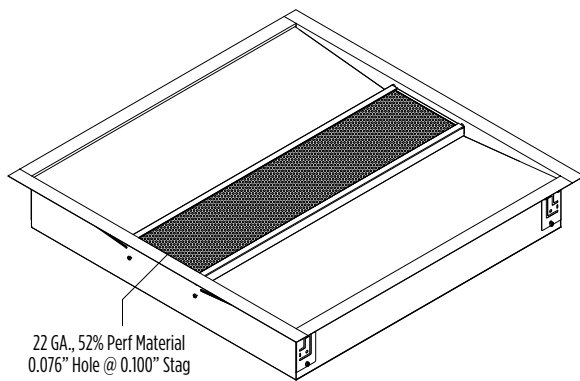
 Have questions? Call us at (800) 436-7800

PRODUCT DIMENSIONS

Triumph 2x2 (TRI22)



Perf Lens, Circular Aperture (PFC)



Optional Perf Center Matte White (Custom Perfs Available, Consult Factory)

Perf Lens, Rectangular Aperture (PFR)

