



Traditional Flood Double Extra Large (T2XFL)

Outdoor Flood Light



OVERVIEW

Lumen Package (lm)	31,000 - 51,000
Wattage Range (W)	219 - 357
Efficacy Range (LPW)	132 - 153
Weight lbs (kg)	31.0 (14.0)

QUICK LINKS

FEATURES & SPECIFICATIONS

Construction

- Rigid Precision Die cast-aluminum housing for durability and consistency.
- Vertical fins serve as a heat sink and resist accumulation of dust and debris.
- The Patent Pending thermal stacking heat removal technology extracts heat from within the housing moving it away from LEDs and integral components.
- Luminaire is proudly manufactured and tested in the U.S.
- Fixtures are finished with LSI's DuraGrip® polyester powder coat finishing process. The DuraGrip finish withstands extreme weather changes without cracking or peeling. Other standard LSI finishes available.
- Shipping weight: with Trunnion (standard) 30 lbs / with Slipfitter 31 lbs.

Optical System

- LSI flood lights extra wide distribution pattern is designed to provide maximum light spread for short set backs when lighting signs and washing walls
- Flood optic version utilizes high grade acrylic lenses that focuses light providing illumination on target, less glare and less wasted light.
- Minimum CRI of 70

Electrical

- High-performance driver features over-voltage, under voltage, short-circuit and over temperature protection.
- 0-10 volt dimming (10% - 100%) standard
- Standard Universal Voltage (120-277 Vac) Input 50/60 Hz or optional High Voltage (347-480 Vac).
- L70 Calculated Life: >100k Hours
- Total harmonic distortion (THD): <20%
- Power factor (PF): >.85
- Input power stays constant over life
- Driver Off-State Power is 0 watts.
- Components are fully encased in potting material for moisture resistance. Driver complies with FCC standards. Driver and key electronic components can easily be accessed.
- Minimum 2.5kV surge rating.

Controls

- Optional electronic button Photocontrol
- Apertures for field or factory installed photocontrol.

Warranty

- LSI luminaires carry a 5-year limited warranty. Refer to <https://www.lsicorp.com/resources/terms-conditions-warranty/> for more information.
- 1 Year warranty on optional Button Photocell.

Listings

- Listed to UL 1598 and UL 8750
- CSA Listed
- RoHS Compliant
- Suitable For Wet Locations
- Meets Buy American Act requirements
- DesignLights Consortium® (DLC) Premium qualified product. Not all versions of this product may be DLC Premium qualified. Please check the DLC Qualified Products List at www.designlights.org/QPL to confirm which versions are qualified.

Traditional Flood Double Extra Large (T2XFL) Outdoor Flood Light

Type : _____

 **Have questions?** Call us at (800) 436-7800

ORDERING GUIDE

TYPICAL ORDER EXAMPLE: T2XFL LED 33L W UNV DIM 40 BZA TR								
Prefix	Lumen Package	Distribution	Voltage	Dimming	Color Temperature/Rendering	Finish	Mounting	Options/Controls
T2XFL LED - Extra Large Flood Light	33L - 33,000 Lumens 40L - 40,000 Lumens 50L - 50,000 Lumens	W - Extra Wide Distribution (NEMA 7x7) F - Flood Optic Distribution (NEMA 6x6)	UNV - Universal Voltage (120-277V) HV - High Voltage (347-480V)	DIM - Dim to 10% (0-10V)	30 - 3,000K CCT, 70 CRI min. 40 - 4,000K CCT, 70 CRI min. 50 - 5,000K CCT, 70 CRI min.	BZA - Bronze BLK - Black* WHT - White* SV - Silver*	TR - Trunnion SF - Slip Fitter	PC1120 - 120V Photocontrol SP1 - 10K Surge Protection PCIUNV - 120-277V Photocontrol CR7P - 7 Pin Control Receptacle



Need more information?
[Click here for our glossary.](#)

Have additional questions?
Call us at (800) 436-7800



PERFORMANCE

Delivered Lumens ¹								
Lumen Package	Distribution	3000K		4000K		5000K		Wattage
		Delivered Lumens	Efficacy	Delivered Lumens	Efficacy	Delivered Lumens	Efficacy	
33L	F	31,190	143	32,849	150	33,408	153	219
	W	33,210	151	33,210	151	33,210	151	
40L	F	37,020	139	38,989	147	39,653	149	267
	W	39,430	148	39,430	148	39,430	148	
50L	F	47,390	132	49,910	141	50,760	142	357
	W	50,130	141	50,130	141	50,130	141	

Energy Savings ²					
LED		HID			
Wattage	Annual Cost	Source Wattage	Total Wattage Used	Annual Cost	Annual Savings
20	\$9	50	72	\$52	\$43
		70	90	\$59	\$50
		100	129	\$77	\$68

¹ LEDs are frequently updated therefore values are nominal.

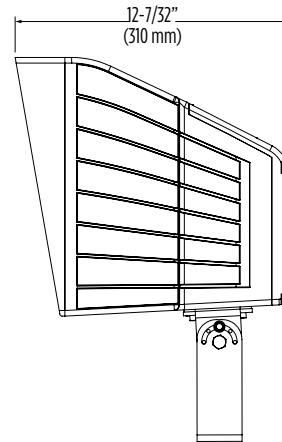
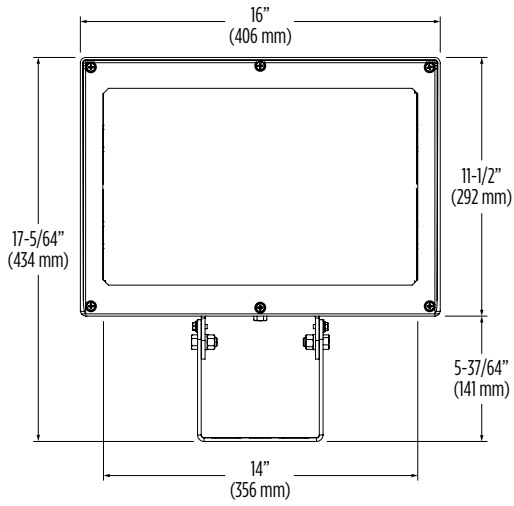
² Electrical data at 25C (77F). Actual wattage may differ by +/-10%.

Traditional Flood Double Extra Large (T2XFL) Outdoor Flood Light

Type: _____

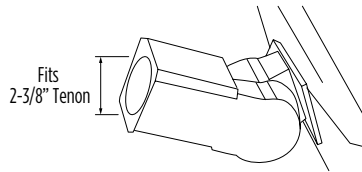
 **Have questions?** Call us at (800) 436-7800

PRODUCT DIMENSIONS



Mounting Options

Slip Fitter
(SF)



Trunnion
(TR)

