



Medium Commercial Wall (SMW)

LED Wall Light



OVERVIEW

Lumen Package (lm)	6,000 - 10,000
Wattage Range (W)	47 - 78
Efficacy Range (LPW)	122 - 131
Color Temperature (K)	4,000, 5,000
Weight lbs (kg)	8 (3.6)

QUICK LINKS

FEATURES & SPECIFICATIONS

Construction

- Rugged die-cast aluminum housing for maximum durability and reliability.
- IP65 rated luminaire protects integral components from harsh environments.

Optical System

- Premium engineered IP65 rated polycarbonate optic assemblies deliver IES Type 3 or 4 (FT) distributions.
- Zero Uplight.
- Available in 5000K & 4000K color temperatures per ANSI C78.377.
- Minimum CRI of 70.

Electrical

- 0-10V dimming (10% - 100%) standard.
- Standard Universal Voltage (120-277 Vac) Input 50/60 Hz
- L70 Calculated Life: >50K Hours
- Total harmonic distortion (THD): <20%
- Operating temperature: -40°C to +40°C (-40°F to +104°F).
- Power factor (PF): >.90
- Input power stays constant over life.
- High-efficacy LED circuit board mounted to cast housing to maximize heat dissipation

Installation

- Universal wall mounting plate easily mounts directly to 4" octagonal or square junction box.
- 2 fasteners secure the hinged door underneath the housing and provide quick and easy access to the electrical compartment for installing/servicing.

Warranty

- LSI luminaires carry a 5-year limited warranty. Refer to <https://www.lsicorp.com/resources/terms-conditions-warranty/> for more information.

Listings

- Listed to UL 1598 and UL 8750.
- Suitable for wet Locations.
- IP65 rated Luminaire.
- DesignLights Consortium® (DLC) Premium qualified product. Not all versions of this product may be DLC Premium qualified. Please check the DLC Qualified Products List at www.designlights.org/QPL to confirm which versions are qualified.

Medium Commercial Wall (SMW) LED Wall Light

Type: _____

 **Have questions?** Call us at (800) 436-7800

ORDERING GUIDE

TYPICAL ORDER EXAMPLE: SMW LED 6L FT UNV DIM 40 BRZ PCIUNV								
Prefix	Light Source	Lumen Package	Distribution	Voltage	Driver	Color Temperature / Rendering	Finish	Options
SMW - Medium Commercial Wall	LED	6L - 6,000 10L - 10,000	3 - Type 3 FT - Forward Throw Type 4	UNV - Universal Voltage (120-277V)	DIM - 0-10V Dimming ²	40 - 4000K / 70 CRI 50 - 5000K / 70 CRI	BRZ - Bronze	Blank - None PCIUNV - Button Photocontrol (120-277V)



Need more information?
[Click here for our glossary.](#)

Have additional questions?
Call us at (800) 436-7800



ACCESSORY ORDERING INFORMATION

Part Number	Description
739106	Wet Location Surface Conduit/Wiring Box (Bronze)

PERFORMANCE

Delivered Lumens ¹									
Lumen Package	Distribution	CRI	4000K			5000K			Wattage
			Delivered Lumens	Efficacy	BUG Rating	Delivered Lumens	Efficacy	BUG Rating	
6L	FT	70	5,869	126	B2-U0-G2	6,020	129	B1-U0-G2	47
	3	70	5,930	127	B2-U0-G2	6,083	130	B2-U0-G2	
10L	FT	70	9,908	127	B2-U0-G2	10,163	130	B2-U0-G2	78
	3	70	10,011	128	B3-U0-G3	10,269	131	B3-U0-G3	

Electrical Data - Current Draw AMPS ²					
Lumen Package	Wattage	240V	277V	347V	480V
6L	47	0.19	0.17	0.13	0.1
10L	78	0.33	0.28	0.22	0.16

¹ LEDs are frequently updated therefore values are nominal

² Electrical data at 25C (77F). Actual wattage may differ by +/-10%.



Medium Commercial Wall (SMW) LED Wall Light

Type : _____

 Have questions? Call us at (800) 436-7800

PHOTOMETRICS

Luminaire photometry has been conducted by a NVLAP accredited testing laboratory in accordance with IESNA LM-79-08. As specified by IESNA LM-79-08 the entire luminaire is tested as the source resulting in a luminaire efficiency of 100%.

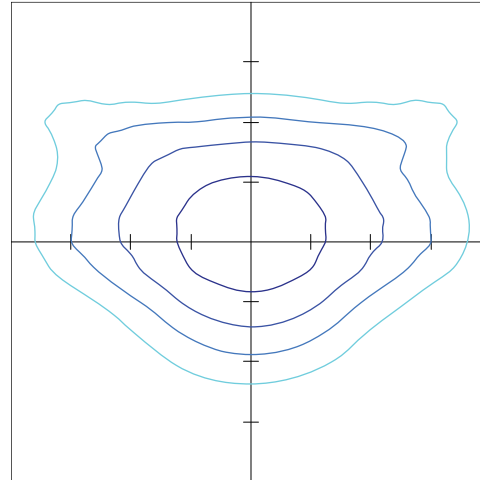
See the individual product page on <https://www.lsicorp.com/> for detailed photometric data.

SMW-06L-3-40

Luminaire Data	
Wide Distribution	
Description	4000 Kelvin, 70 CRI
Delivered Lumens	5,930
Watts	47
Efficacy	126
IES Type	Type III - Medium
BUG Rating	B2-U0-G2

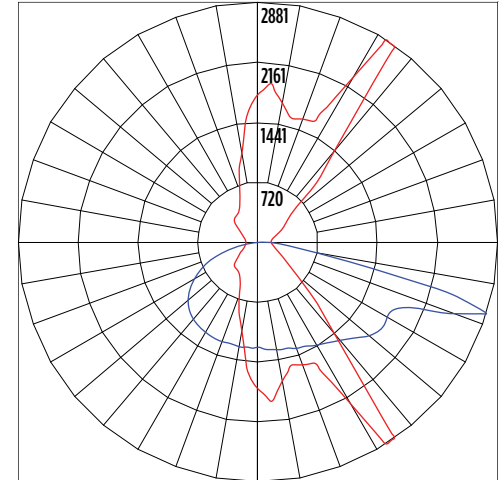
Zonal Lumen Summary		
Zone	Lumens	% Luminaire
Low (0-30°)	1,087	18%
Medium (30-60°)	2,956	50%
High (60-80°)	1,791	30%
Very High (80-90°)	96	2%
Uplight (90-180°)	0	0%
Total Flux	5,930	100%

ISO Footcandle



10' Mounting Height / 10' Grid Spacing
 5 FC 2 FC 1 FC 0.5 FC

Polar Curve



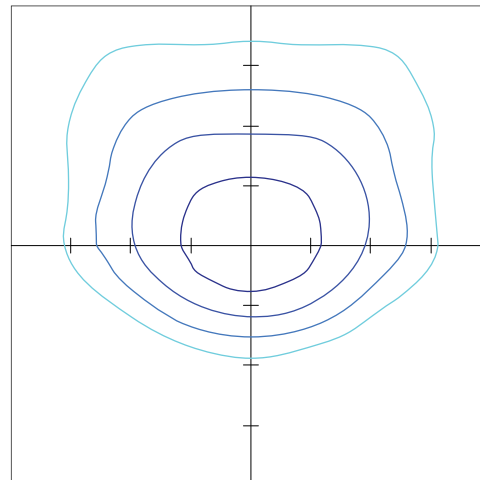
Vertical Plane Horizontal Cone

SMW-06L-FT-40

Luminaire Data	
Wide Distribution	
Description	4000 Kelvin, 70 CRI
Delivered Lumens	5,869
Watts	47
Efficacy	125
IES Type	Type IV - Short
BUG Rating	B2-U0-G2

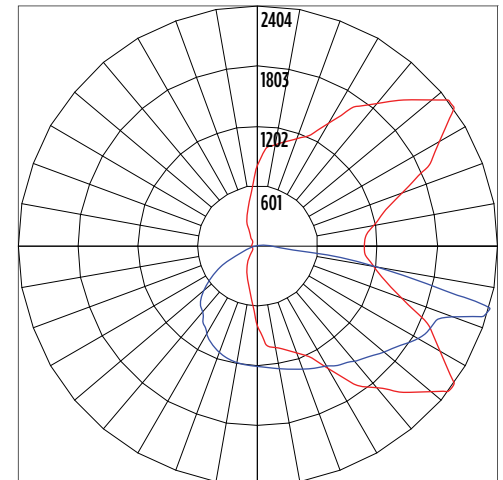
Zonal Lumen Summary		
Zone	Lumens	% Luminaire
Low (0-30°)	1,037	18%
Medium (30-60°)	2,777	47%
High (60-80°)	1,915	33%
Very High (80-90°)	140	2%
Uplight (90-180°)	0	0%
Total Flux	5,869	100%

ISO Footcandle



10' Mounting Height / 10' Grid Spacing
 5 FC 2 FC 1 FC 0.5 FC

Polar Curve



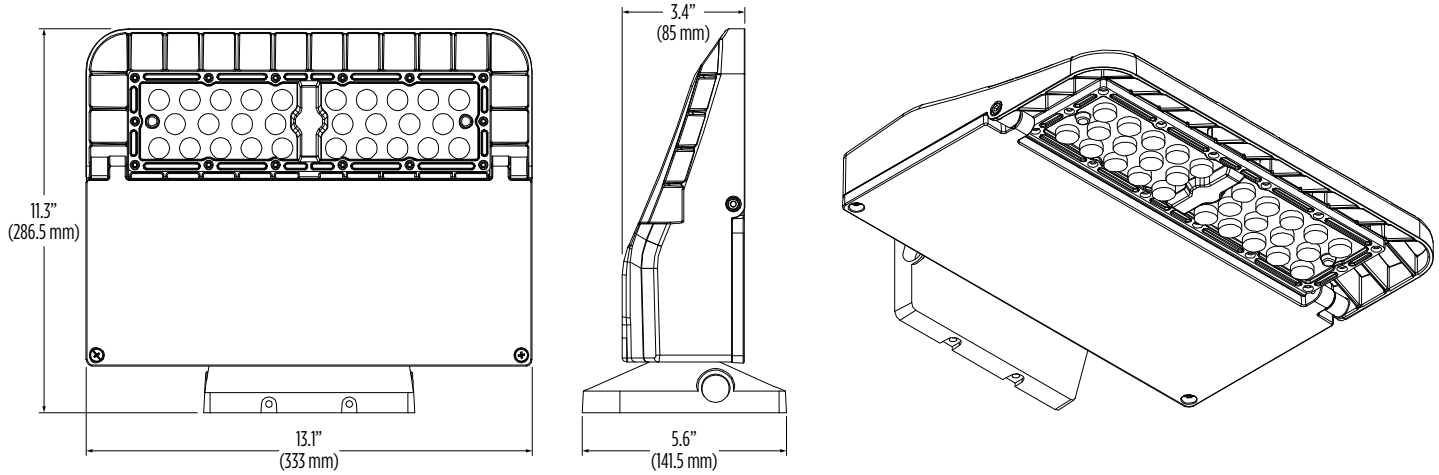
Vertical Plane Horizontal Cone

Medium Commercial Wall (SMW) LED Wall Light

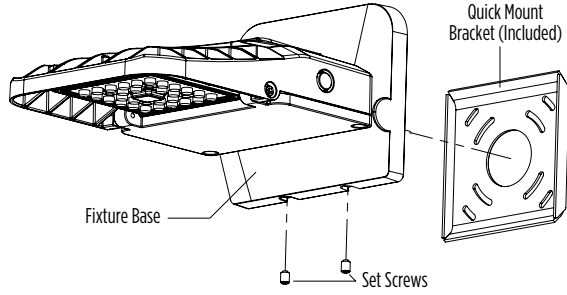
Type: _____

 **Have questions?** Call us at (800) 436-7800

PRODUCT DIMENSIONS



Mounting Over Junction Box



Surface Mounting Box

