



# Opulence Small Wall Mount (OPS WM)

## Outdoor Wall Light



IP66



### OVERVIEW

Lumen Package (lm)	3,000 - 14,000
Wattage Range (W)	20 - 100
Efficacy Range (LPW)	134 - 173
Weight lbs (kg)	17 (7.7)
Control Options	IMSBT, ALBCS, 7-Pin

### QUICK LINKS

## FEATURES & SPECIFICATIONS

### Construction

- Rugged die-cast aluminum housing.
- Fixtures are finished with LSI's DuraGrip® polyester powder coat finishing process. The DuraGrip finish withstands extreme weather changes without cracking or peeling. Other standard LSI finishes available. Consult factory.

### Optical System

- High density LED optical system delivers industry leading optical performance and visual comfort.
- 7 distribution types 3W, 4F, 5Q, 5C, 5R, 5D, AD
- Diffused lens version provides maximum visual comfort with reduced brightness and LED pixelization
- Zero uplight.
- Available in 5000K, 4000K, 3500K, 3000K and 2700K color temperatures per ANSI C78.377. Also available in Phosphor Converted Amber with Peak intensity at 610nm.
- Minimum CRI of 80

### Electrical

- High-performance driver features overvoltage, under-voltage, short-circuit and over temperature protection (6kV surge standard).
- 0-10V dimming (10% - 100%) standard.
- Standard Universal Voltage (120-277 VAC) Input 50/60 Hz or optional High Voltage (347-480 VAC).
- Total harmonic distortion (THD): <20%

- Operating temperature: -40°C to +40°C (-40°F to +104°F).
- Power factor (PF): >.90
- Input power stays constant over life.
- Field replaceable 10kV surge protection device meets a minimum Category C Low operation (per ANSI/IEEE C62.41.2).
- Driver is fully encased in potting material for moisture resistance and complies with FCC standards. Driver and key electronic components can easily be accessed.
- Optional 16w battery backup provides 90-minutes of constant power (~2,000-2,500 lumens) to the LED system, ensuring code compliance. A test switch/indicator button is installed on the housing for ease of maintenance. Standard battery rated for 0° to 40° with cold weather battery rated for -20°C to 40°. 120-277V Only.

### Controls

- Integral passive infrared Bluetooth™ motion and photocell sensor options. Fixtures operate independently and can be commissioned via an iOS or Android configuration app.
- LSI's AirLink™ Blue lighting control system is a simple feature rich wireless Bluetooth mesh network. The integrated fixture sensor module provides wireless control of grouped fixtures based on motion sensors, daylight or a fully customizable schedule. Updates and modifications to the control strategy are easily implemented via an intuitive iOS app.

### Installation

- Universal wall mounting plate mounts directly to vertical surface or 4" junction box (octagonal or square).
- Luminaire hinges to the top of the mounting plate and is secured via two set screws that conceal the hardware.

### Warranty

- LSI luminaires carry a 5-year limited warranty. Refer to <https://www.lsicorp.com/resources/terms-conditions-warranty/> for more information.

### Listings

- Listed to UL 1,598 and UL 8,750.
- Meets Buy American Act requirements.
- IDA compliant; with 3000K and warmer color temperature selection.
- Title 24 Compliant; see local ordinance for qualification information.
- Suitable for wet locations.
- IP66 rated Luminaire per IEC 60,598-1.
- 3G rated for ANSI C136.31 high vibration applications.
- IK09 rated luminaire per IEC 66262 mechanical impact code with polycarbonate lens (PLY).
- DesignLights Consortium® (DLC) Premium qualified product. Not all versions of this product may be DLC Premium qualified. Please check the DLC Qualified Products List at [www.designlights.org/QPL](http://www.designlights.org/QPL) to confirm which versions are qualified.



# Opulence Small Wall Mount (OPS WM) Outdoor Wall Light

Type: \_\_\_\_\_

 **Have questions?** Call us at (800) 436-7800

## ORDERING GUIDE

TYPICAL ORDER EXAMPLE: OPS WM 8L 4F UNV 40K8 BLK ALBCS1					
Prefix	Mounting	Lumen Package <sup>1</sup>	Distribution	Voltage	Color Temperature / Rendering
OPS - Opulence Small	WM - Wall Mount	<b>3L</b> - 3,000 lms, 20w <b>5L</b> - 5,000 lms, 34w <b>6L</b> - 6,000 lms, 41w <b>8L</b> - 8,000 lms, 55w <b>10L</b> - 10,000 lms, 70w <b>12L</b> - 12,000 lms, 85w <b>14L</b> - 14,000 lms, 100w	<b>3W</b> - Type 3 (Wide Throw) <b>4F</b> - Type 4 (Forward Throw) <b>5Q</b> - Type 5 Square <b>5D</b> - Type 5 Diffused <b>5R</b> - Type 5 Rectangular <b>5C</b> - Type 5 Concentrated <b>AD</b> - Asymmetric Diffused	<b>UNV</b> - Universal Voltage (120-277V) <b>HV</b> - High Voltage (347-480V)	<b>27K8</b> - 2700K CCT / 80 CRI <b>30K8</b> - 3000K CCT / 80 CRI <b>35K8</b> - 3500K CCT / 80 CRI <b>40K8</b> - 4000K CCT / 80 CRI <b>50K8</b> - 5000K CCT / 80 CRI <b>AMB</b> - Phosphor Converted Amber <sup>2</sup>
Finish	Controls	Options			
<b>BLK</b> - Black <b>BRZ</b> - Dark Bronze <b>GMG</b> - Gun Metal Gray <b>GPT</b> - Graphite <b>MSV</b> - Metallic Silver <b>PLP</b> - Platinum Plus <b>WHT</b> - White	<b>Blank</b> - None <b>Wireless Controls System</b> <b>ALBCS1</b> - AirLink Blue Wireless Motion & Photo Sensor Controller (8-24' MH) <b>ALBCS2</b> - AirLink Blue Wireless Motion & Photo Sensor Controller (25-40' MH) <b>Stand-Alone Controls</b> <b>CR7P</b> - 7 Pin Control Receptacle ANSI C136.41 2 <b>IMSBT1L</b> - Integral Bluetooth™ Motion and Photocell Sensor (8-24' MH) <sup>3</sup> <b>IMSBT2L</b> - Integral Bluetooth™ Motion and Photocell Sensor (25-40' MH) <sup>3</sup>	<b>Blank</b> - None <b>BB</b> - Battery Back-up (0°C) <sup>4</sup> <b>CWBB</b> - Cold Weather Battery Back-up (-20°C) <sup>4</sup> <b>SP1</b> - 10kV Surge Protection Device <b>PLY</b> - Polycarbonate Lens <sup>5</sup>			



**Need more information?**  
[Click here for our glossary](#)

**Have additional questions?**  
 Call us at (800) 436-7800



## CONTROLS ACCESSORIES ORDERING INFORMATION<sup>4</sup>

Order Number	Description
122514	Twist Lock Photocell (120V) for use with CR7P
122515	Twist Lock Photocell (208-277) for use with CR7P
122516	Twist Lock Photocell (347V) for use with CR7P
1225180	Twist Lock Photocell (480V) for use with CR7P
661409	AirLink 5 Pin Twist Lock Controller
661410	AirLink 7 Pin Twist Lock Controller
149328	Shorting Cap for use with CR7P

## MOUNTING ACCESSORIES ORDERING INFORMATION<sup>6</sup>

Order Number <sup>7</sup>	Description
739106CLR	Wet Location Surface Conduit/Wiring box

<sup>1</sup> 120-277V Only. Not available with 14L Lumen Package.

<sup>2</sup> Amber LEDs not available in 12L or 14L lumen packages

<sup>3</sup> IMSBTxL is field configurable via the Leviton app that can be downloaded from your smartphone's app store.

<sup>4</sup> Control device or shorting cap must be ordered separately. See Accessory Ordering Information.

<sup>5</sup> Not available with 5D/AD distributions or IMSBT/ALBCS control options.

<sup>6</sup> Accessories are shipped separately and field installed.

<sup>7</sup> "CLR" to be replaced by paint finish selection. See Finish options for paint color selections.



# Opulence Small Wall Mount (OPS WM) Outdoor Wall Light

Type : \_\_\_\_\_

 Have questions? Call us at (800) 436-7800

## PERFORMANCE

Delivered Lumens																		
Lumen Package	Distribution	CRI	2700K CCT			3000K CCT			3500K CCT			4000K CCT			5000K CCT			Wattage
			Delivered Lumens	Efficacy	BUG Rating	Delivered Lumens	Efficacy	BUG Rating	Delivered Lumens	Efficacy	BUG Rating	Delivered Lumens	Efficacy	BUG Rating	Delivered Lumens	Efficacy	BUG Rating	
3L	5Q	80	3,175	156	B1-U0-G1	3,278	161	B2-U0-G1	3,296	162	B2-U0-G1	3,255	160	B2-U0-G1	3,389	167	B2-U0-G1	20
	5C		3,302	163	B2-U0-G0	3,409	168	B2-U0-G0	3,428	168	B2-U0-G0	3,386	166	B2-U0-G0	3,526	173	B2-U0-G0	
	5R		3,106	152	B1-U0-G1	3,207	158	B2-U0-G2	3,225	159	B2-U0-G2	3,185	156	B2-U0-G2	3,316	164	B2-U0-G2	
	4F		3,192	156	B1-U0-G1	3,296	162	B1-U0-G1	3,315	163	B1-U0-G1	3,274	161	B1-U0-G1	3,408	167	B1-U0-G1	
	3W		3,151	154	B1-U0-G1	3,253	160	B1-U0-G1	3,272	161	B1-U0-G1	3,231	159	B1-U0-G1	3,364	165	B1-U0-G1	
	5D		2,954	145	B1-U0-G1	3,049	150	B1-U0-G1	3,066	150	B1-U0-G1	3,028	149	B1-U0-G1	3,153	155	B1-U0-G1	
	AD		2,974	146	B1-U0-G1	3,070	151	B1-U0-G1	3,087	151	B1-U0-G1	3,048	150	B1-U0-G1	3,174	156	B1-U0-G1	
5L	5Q	80	5,249	154	B2-U0-G1	5,419	159	B2-U0-G1	5,450	160	B2-U0-G1	5,382	158	B2-U0-G1	5,604	164	B2-U0-G1	34
	5C		5,459	160	B2-U0-G0	5,636	165	B2-U0-G0	5,668	166	B2-U0-G0	5,598	164	B2-U0-G0	5,829	171	B2-U0-G0	
	5R		5,135	150	B2-U0-G2	5,301	155	B2-U0-G2	5,331	156	B2-U0-G2	5,265	154	B2-U0-G2	5,482	161	B2-U0-G2	
	4F		5,277	154	B1-U0-G1	5,450	160	B1-U0-G1	5,479	161	B1-U0-G1	5,412	159	B1-U0-G1	5,634	165	B1-U0-G1	
	3W		5,209	152	B1-U0-G1	5,378	158	B1-U0-G1	5,409	159	B1-U0-G1	5,341	156	B1-U0-G1	5,561	163	B1-U0-G1	
	5D		4,883	143	B2-U0-G1	5,041	148	B2-U0-G1	5,069	149	B2-U0-G1	5,006	147	B2-U0-G1	5,213	153	B2-U0-G1	
	AD		4,915	144	B1-U0-G1	5,075	149	B1-U0-G1	5,103	149	B1-U0-G1	5,040	148	B1-U0-G1	5,248	154	B1-U0-G1	
6L	5Q	80	6,361	154	B2-U0-G1	6,567	159	B2-U0-G1	6,603	160	B2-U0-G1	6,522	158	B2-U0-G1	6,790	164	B2-U0-G1	41
	5C		6,615	160	B2-U0-G0	6,830	165	B2-U0-G0	6,868	166	B2-U0-G0	6,783	164	B2-U0-G0	7,062	171	B2-U0-G0	
	5R		6,222	150	B2-U0-G2	6,424	155	B3-U0-G3	6,460	156	B3-U0-G3	6,380	154	B3-U0-G3	6,642	161	B3-U0-G3	
	4F		6,396	154	B2-U0-G1	6,603	160	B2-U0-G1	6,640	161	B2-U0-G1	6,557	159	B2-U0-G1	6,828	165	B2-U0-G1	
	3W		6,313	152	B2-U0-G1	6,517	158	B2-U0-G2	6,553	159	B2-U0-G2	6,472	156	B2-U0-G2	6,739	163	B2-U0-G2	
	5D		5,917	143	B2-U0-G1	6,109	148	B2-U0-G1	6,143	149	B2-U0-G1	6,067	147	B2-U0-G1	6,317	153	B2-U0-G1	
	AD		5,957	144	B2-U0-G1	6,150	149	B2-U0-G1	6,183	149	B2-U0-G1	6,108	148	B2-U0-G1	6,359	154	B2-U0-G1	
8L	5Q	80	8,335	152	B3-U0-G1	8,606	156	B3-U0-G1	8,653	158	B3-U0-G1	8,546	155	B3-U0-G1	8,899	162	B3-U0-G1	55
	5C		8,669	158	B3-U0-G1	8,950	163	B3-U0-G1	9,000	164	B3-U0-G1	8,888	162	B3-U0-G1	9,255	169	B3-U0-G1	
	5R		8,153	148	B3-U0-G3	8,418	153	B3-U0-G3	8,465	154	B3-U0-G3	8,360	152	B3-U0-G3	8,705	159	B3-U0-G3	
	4F		8,381	152	B2-U0-G1	8,653	158	B2-U0-G1	8,701	159	B2-U0-G1	8,593	156	B2-U0-G1	8,947	163	B2-U0-G1	
	3W		8,272	150	B2-U0-G2	8,541	155	B2-U0-G2	8,588	156	B2-U0-G2	8,482	154	B2-U0-G2	8,832	161	B2-U0-G2	
	5D		7,753	141	B2-U0-G1	8,005	146	B2-U0-G1	8,049	147	B2-U0-G1	7,950	145	B2-U0-G1	8,277	151	B2-U0-G1	
	AD		7,806	142	B2-U0-G2	8,059	147	B2-U0-G2	8,103	148	B2-U0-G2	8,003	146	B2-U0-G2	8,333	152	B2-U0-G2	
10L	5Q	80	10,467	149	B3-U0-G1	10,807	153	B3-U0-G1	10,868	154	B3-U0-G1	10,733	152	B3-U0-G1	11,175	159	B3-U0-G1	70
	5C		10,886	154	B3-U0-G1	11,240	160	B3-U0-G1	11,302	161	B3-U0-G1	11,163	159	B3-U0-G1	11,622	165	B3-U0-G1	
	5R		10,240	145	B3-U0-G3	10,571	150	B3-U0-G3	10,630	151	B3-U0-G3	10,499	149	B3-U0-G3	10,932	155	B3-U0-G3	
	4F		10,525	149	B2-U0-G2	10,866	154	B2-U0-G2	10,927	155	B2-U0-G2	10,792	153	B2-U0-G2	11,236	160	B2-U0-G2	
	3W		10,388	147	B2-U0-G2	10,725	152	B2-U0-G2	10,785	153	B2-U0-G2	10,651	151	B2-U0-G2	11,090	158	B2-U0-G2	
	5D		9,737	139	B3-U0-G1	10,053	143	B3-U0-G1	10,109	144	B3-U0-G1	9,983	142	B3-U0-G1	10,395	148	B3-U0-G1	
	AD		9,802	140	B2-U0-G2	10,120	144	B2-U0-G2	10,177	145	B2-U0-G2	10,051	143	B2-U0-G2	10,465	149	B2-U0-G2	
12L	5Q	80	12,532	147	B3-U0-G2	12,938	151	B3-U0-G2	13,011	152	B3-U0-G2	12,849	150	B3-U0-G2	13,379	156	B3-U0-G2	85
	5C		13,034	152	B3-U0-G1	13,457	158	B3-U0-G1	13,531	159	B3-U0-G1	13,364	156	B3-U0-G1	13,915	163	B3-U0-G1	
	5R		12,259	144	B3-U0-G3	12,657	148	B3-U0-G3	12,727	149	B3-U0-G3	12,570	147	B3-U0-G3	13,087	153	B3-U0-G3	
	4F		12,601	147	B2-U0-G2	13,010	152	B2-U0-G2	13,082	153	B2-U0-G2	12,920	151	B2-U0-G2	13,453	158	B2-U0-G2	
	3W		12,437	146	B2-U0-G2	12,840	150	B2-U0-G2	12,912	151	B2-U0-G2	12,752	149	B2-U0-G2	13,277	155	B3-U0-G3	
	5D		11,657	137	B3-U0-G2	12,036	141	B3-U0-G2	12,102	142	B3-U0-G2	11,953	140	B3-U0-G2	12,446	146	B3-U0-G2	
	AD		11,735	138	B3-U0-G2	12,116	142	B3-U0-G2	12,183	143	B3-U0-G2	12,033	141	B3-U0-G2	12,529	147	B3-U0-G2	
14L	5Q	80	14,488	145	B3-U0-G2	14,958	149	B3-U0-G2	15,041	150	B3-U0-G2	14,855	148	B3-U0-G2	15,468	154	B3-U0-G2	100
	5C		15,069	149	B3-U0-G1	15,558	154	B3-U0-G1	15,644	155	B3-U0-G1	15,451	153	B3-U0-G1	16,087	160	B3-U0-G1	
	5R		14,173	142	B3-U0-G3	14,633	146	B3-U0-G3	14,714	147	B3-U0-G3	14,532	145	B3-U0-G3	15,131	151	B3-U0-G3	
	4F		14,568	145	B2-U0-G2	15,040	150	B2-U0-G2	15,124	151	B2-U0-G2	14,937	149	B2-U0-G2	15,553	155	B3-U0-G2	
	3W		14,379	144	B3-U0-G3	14,845	148	B3-U0-G3	14,928	149	B3-U0-G3	14,743	147	B3-U0-G3	15,351	153	B3-U0-G3	
	5D		13,478	134	B3-U0-G2	13,915	139	B3-U0-G2	13,992	140	B3-U0-G2	13,819	138	B3-U0-G2	14,388	143	B3-U0-G2	
	AD		13,567	135	B3-U0-G2	14,008	140	B3-U0-G2	14,086	141	B3-U0-G2	13,911	139	B3-U0-G2	14,485	144	B3-U0-G3	

Note: LED Chips are frequently updated therefore values are nominal.

# Opulence Small Wall Mount (OPS WM) Outdoor Wall Light

Type : \_\_\_\_\_

 Have questions? Call us at (800) 436-7800

## PERFORMANCE

Delivered Lumens - PC Amber						
Lumen Package	Distribution	CRI	PC Amber			Wattage
			Delivered Lumens	Efficacy	BUG Rating	
3L	5Q	80	2,170	99	B1-U0-G1	22
	5C		2,257	103	B1-U0-G0	
	5R		2,123	97	B1-U0-G1	
	4F		2,113	96	B1-U0-G1	
	3W		2,080	95	B1-U0-G1	
	5D		2,019	92	B1-U0-G0	
	AD		2,032	92	B1-U0-G1	
5L	5Q	80	3,599	100	B2-U0-G1	36
	5C		3,650	101	B2-U0-G0	
	5R		3,434	95	B2-U0-G2	
	4F		3,416	95	B1-U0-G1	
	3W		3,362	93	B1-U0-G1	
	5D		3,265	91	B2-U0-G1	
	AD		3,286	91	B1-U0-G1	
6L	5Q	80	4,122	96	B2-U0-G1	43
	5C		4,288	100	B2-U0-G0	
	5R		4,033	94	B2-U0-G2	
	4F		4,013	93	B1-U0-G1	
	3W		3,950	92	B1-U0-G1	
	5D		3,835	89	B2-U0-G1	
	AD		3,861	90	B1-U0-G1	
8L	5Q	80	5,450	92	B2-U0-G1	59
	5C		5,669	96	B2-U0-G0	
	5R		5,332	90	B2-U0-G2	
	4F		5,306	90	B1-U0-G1	
	3W		5,223	89	B1-U0-G1	
	5D		5,070	86	B2-U0-G1	
	AD		5,104	87	B2-U0-G1	
10L	5Q	80	6,618	89	B3-U0-G1	74
	5C		6,883	93	B2-U0-G0	
	5R		6,474	87	B3-U0-G3	
	4F		6,442	87	B2-U0-G1	
	3W		6,341	86	B2-U0-G2	
	5D		6,156	83	B2-U0-G1	
	AD		6,198	84	B2-U0-G1	

**Note:** LED Chips are frequently updated therefore values are nominal.

# Opulence Small Wall Mount (OPS WM) Outdoor Wall Light

Type : \_\_\_\_\_

 Have questions? Call us at (800) 436-7800

## PERFORMANCE

Electrical Data (Amps) <sup>1</sup>						
Lumen Package	120V	208V	240V	277V	347V	480V
3L	0.17	0.1	0.08	0.07	0.06	0.04
5L	0.29	0.16	0.14	0.12	0.1	0.07
6L	0.35	0.2	0.17	0.15	0.12	0.09
8L	0.46	0.26	0.23	0.2	0.16	0.11
10L	0.59	0.34	0.29	0.25	0.2	0.15
12L	0.84	0.48	0.42	0.36	0.29	0.21
14L	0.84	0.48	0.42	0.36	0.29	0.21

Electrical Data (Amps) PC Amber <sup>1</sup>						
Lumen Package	120V	208V	240V	277V	347V	480V
3L	0.18	0.11	0.09	0.08	0.06	0.05
5L	0.30	0.17	0.15	0.13	0.10	0.08
6L	0.36	0.21	0.18	0.16	0.12	0.09
8L	0.49	0.28	0.25	0.21	0.17	0.12
10L	0.62	0.36	0.31	0.27	0.21	0.15

Recommended Lumen Maintenance <sup>2</sup>					
Ambient Temperature °C	Initial <sup>3</sup>	25K hrs. <sup>3</sup>	50K hrs. <sup>3</sup>	75K hrs. <sup>4</sup>	100K hrs. <sup>4</sup>
0-40	100%	99%	96%	93%	90%

<sup>1</sup> Electrical data at 25C (77F). Actual wattage may differ by +/-10%.

<sup>2</sup> Lumen maintenance values are calculated per TM-21 based on LM-80 data and in-situ luminaire testing.

<sup>3</sup> In accordance with IESNA TM-21-11, Projected Values represent interpolated value based on time durations that are within six times (6X) the IESNA LM-80-08 total test duration (in hours) for the device under testing ((DUT) i.e. the packaged LED chip).

<sup>4</sup> In accordance with IESNA TM-21-11, Calculated Values represent time durations that exceed six times NA LM-80-08 total test duration (in hours) for the device under testing ((DUT) i.e. the packaged LED chip).

# Opulence Small Wall Mount (OPS WM) Outdoor Wall Light

Type : \_\_\_\_\_

 Have questions? Call us at (800) 436-7800

## PHOTOMETRICS

Luminaire photometry has been conducted by a NVLAP accredited testing laboratory in accordance with IESNA LM-79-08. As specified by IESNA LM-79-08 the entire luminaire is tested as the source resulting in a luminaire efficiency of 100%.

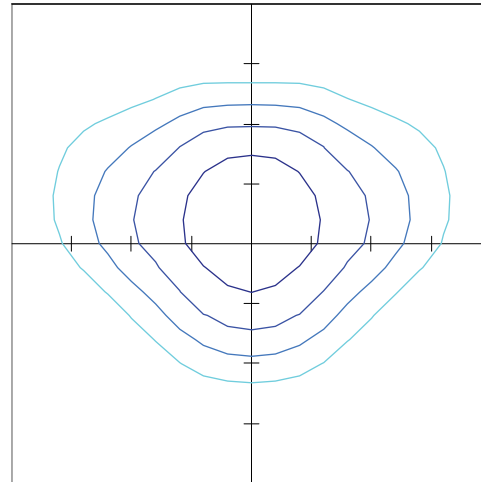
See the individual product page on <https://www.lsicorp.com/> for detailed photometric data.

### OPS-6L-3W-40K8

Luminaire Data	
Wide Distribution	
Description	4000 Kelvin, 80 CRI
Delivered Lumens	5,951
Watts	41
Efficacy	145
IES Type	Type III - Very Short
BUG Rating	B2-U0-G2

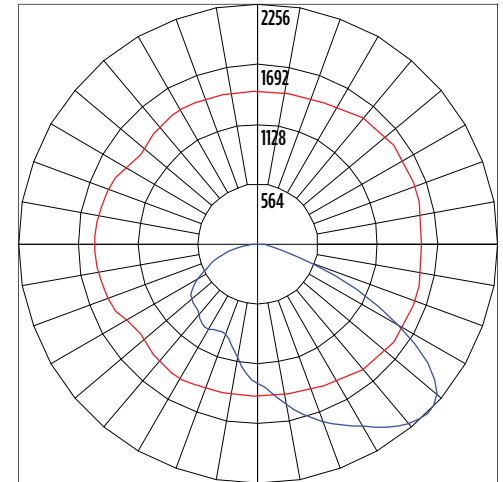
Zonal Lumen Summary		
Zone	Lumens	% Luminaire
Low (0-30°)	1,137	19%
Medium (30-60°)	3,125	53%
High (60-80°)	1,591	27%
Very High (80-90°)	98	2%
Uplight (90-180°)	0	0%
<b>Total Flux</b>	<b>5,951</b>	<b>100%</b>

#### ISO Footcandle



10' Mounting Height / 10' Grid Spacing  
 5 FC 2 FC 1 FC 0.5 FC

#### Polar Curve



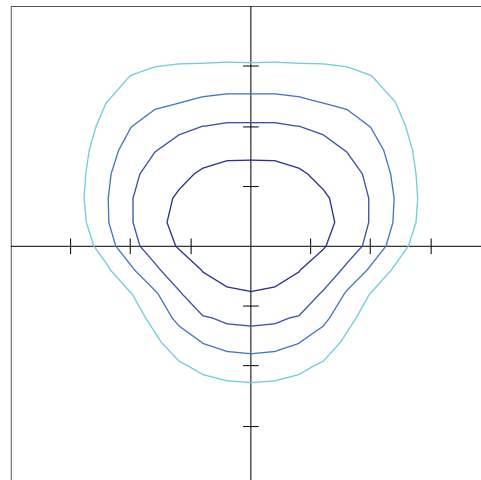
Vertical Plane Horizontal Cone

### OPS-6L-4F-40K8

Luminaire Data	
Wide Distribution	
Description	4000 Kelvin, 80 CRI
Delivered Lumens	6,039
Watts	41
Efficacy	147
IES Type	Type IV - Very Short
BUG Rating	B2-U0-G1

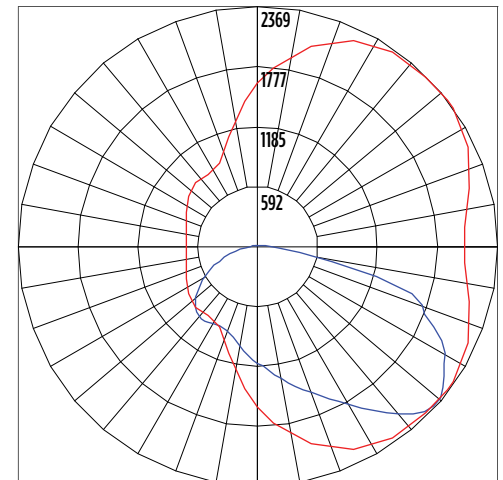
Zonal Lumen Summary		
Zone	Lumens	% Luminaire
Low (0-30°)	1,070	18%
Medium (30-60°)	3,391	56%
High (60-80°)	1,510	25%
Very High (80-90°)	68	1%
Uplight (90-180°)	0	0%
<b>Total Flux</b>	<b>6,039</b>	<b>100%</b>

#### ISO Footcandle



10' Mounting Height / 10' Grid Spacing  
 5 FC 2 FC 1 FC 0.5 FC

#### Polar Curve



Vertical Plane Horizontal Cone

# Opulence Small Wall Mount (OPS WM) Outdoor Wall Light

Type : \_\_\_\_\_

 Have questions? Call us at (800) 436-7800

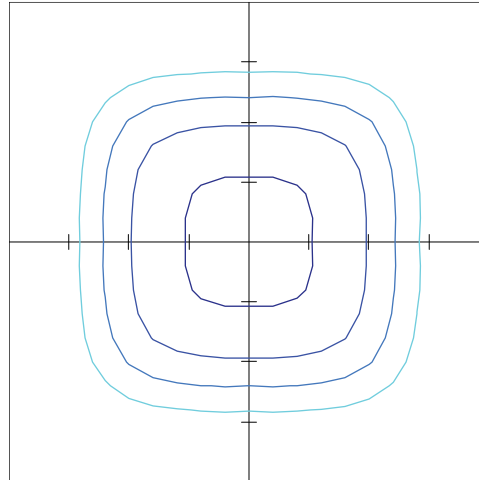
## PHOTOMETRICS

### OPS-6L-5Q-40K8

Luminaire Data	
<b>Wide Distribution</b>	
Description	4000 Kelvin, 80 CRI
Delivered Lumens	6,211
Watts	41
Efficacy	151
IES Type	Type VS - Short
BUG Rating	B3-U0-G1

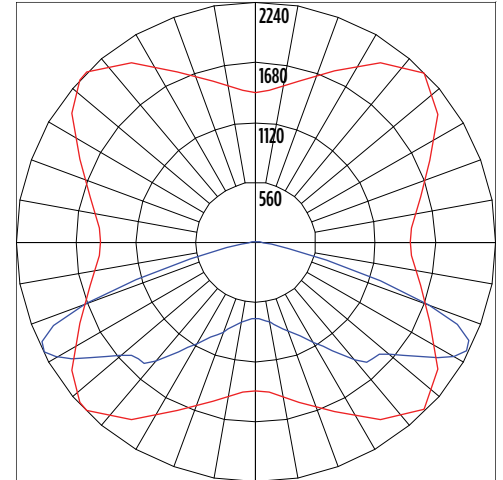
Zonal Lumen Summary		
Zone	Lumens	% Luminaire
Low (0-30°)	757	12%
Medium (30-60°)	3,371	54%
High (60-80°)	2,038	33%
Very High (80-90°)	45	1%
Uplight (90-180°)	0	0%
<b>Total Flux</b>	<b>6,211</b>	<b>100%</b>

### ISO Footcandle



10' Mounting Height / 10' Grid Spacing  
 5 FC 2 FC 1 FC 0.5 FC

### Polar Curve



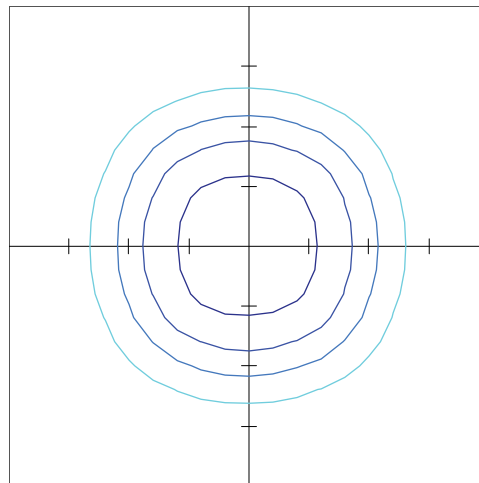
Vertical Plane Horizontal Cone

### OPS-6L-5D-40K8

Luminaire Data	
<b>Wide Distribution</b>	
Description	4000 Kelvin, 80 CRI
Delivered Lumens	5,778
Watts	41
Efficacy	141
IES Type	Type VS - Very Short
BUG Rating	B2-U0-G1

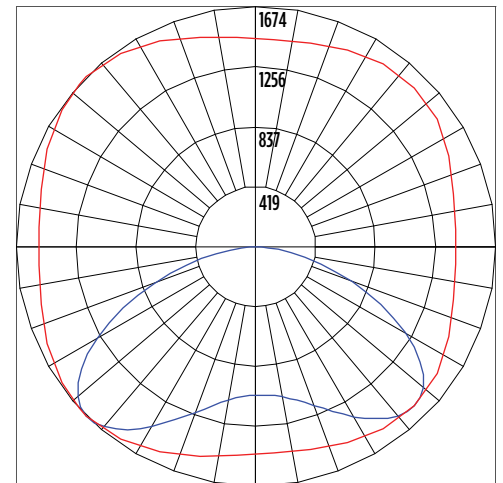
Zonal Lumen Summary		
Zone	Lumens	% Luminaire
Low (0-30°)	1,023	18%
Medium (30-60°)	3,280	57%
High (60-80°)	1,365	24%
Very High (80-90°)	110	2%
Uplight (90-180°)	0	0%
<b>Total Flux</b>	<b>5,778</b>	<b>100%</b>

### ISO Footcandle



10' Mounting Height / 10' Grid Spacing  
 5 FC 2 FC 1 FC 0.5 FC

### Polar Curve



Vertical Plane Horizontal Cone

# Opulence Small Wall Mount (OPS WM) Outdoor Wall Light

Type : \_\_\_\_\_

 Have questions? Call us at (800) 436-7800

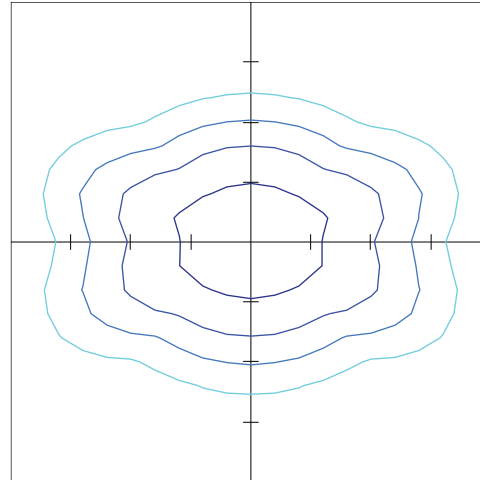
## PHOTOMETRICS

### OPS-6L-5R-40K8

Luminaire Data	
<b>Wide Distribution</b>	
Description	4000 Kelvin, 80 CRI
Delivered Lumens	6,076
Watts	41
Efficacy	148
IES Type	Type II - Short
BUG Rating	B3-U0-G3

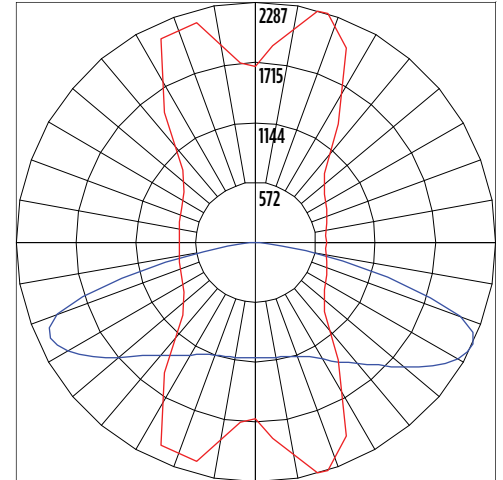
Zonal Lumen Summary		
Zone	Lumens	% Luminaire
Low (0-30°)	971	16%
Medium (30-60°)	3,043	50%
High (60-80°)	1,958	32%
Very High (80-90°)	104	2%
Uplight (90-180°)	0	0%
<b>Total Flux</b>	<b>6,076</b>	<b>100%</b>

### ISO Footcandle



10' Mounting Height / 10' Grid Spacing  
 5 FC 2 FC 1 FC 0.5 FC

### Polar Curve



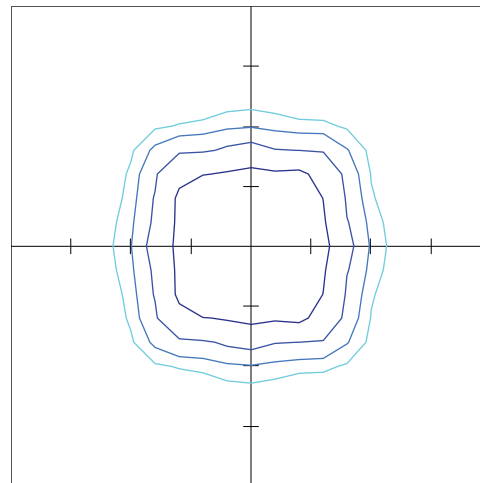
Vertical Plane Horizontal Cone

### OPS-6L-5C-40K8

Luminaire Data	
<b>Wide Distribution</b>	
Description	4000 Kelvin, 80 CRI
Delivered Lumens	6,460
Watts	41
Efficacy	158
IES Type	Type VS - Very Short
BUG Rating	B2-U0-G0

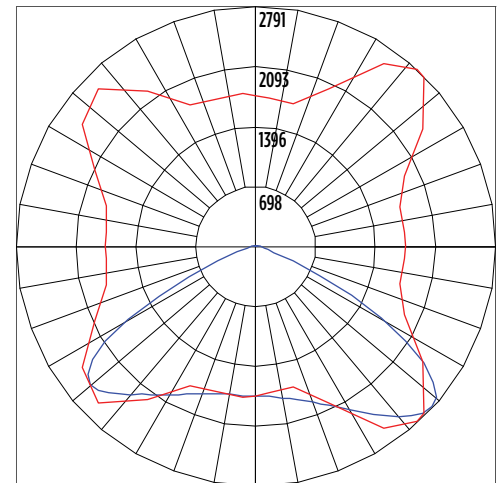
Zonal Lumen Summary		
Zone	Lumens	% Luminaire
Low (0-30°)	1,579	9%
Medium (30-60°)	4,268	43%
High (60-80°)	595	48%
Very High (80-90°)	18	1%
Uplight (90-180°)	0	0%
<b>Total Flux</b>	<b>6,460</b>	<b>100%</b>

### ISO Footcandle



10' Mounting Height / 10' Grid Spacing  
 5 FC 2 FC 1 FC 0.5 FC

### Polar Curve



Vertical Plane Horizontal Cone



# Opulence Small Wall Mount (OPS WM) Outdoor Wall Light

Type : \_\_\_\_\_

 Have questions? Call us at (800) 436-7800

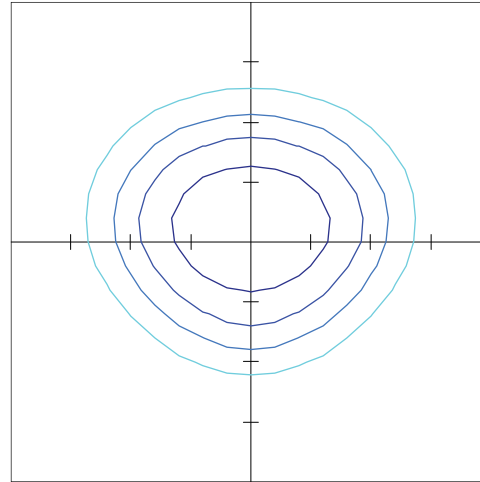
## PHOTOMETRICS

### OPS-6L-AD-40K8

Luminaire Data	
<b>Wide Distribution</b>	
Description	4000 Kelvin, 80 CRI
Delivered Lumens	5,817
Watts	41
Efficacy	142
IES Type	Type II - Very Short
BUG Rating	B2-U0-G1

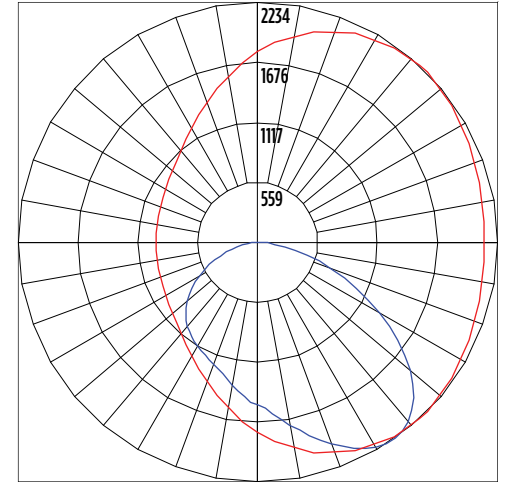
Zonal Lumen Summary		
Zone	Lumens	% Luminaire
Low (0-30°)	1,352	9%
Medium (30-60°)	3,232	43%
High (60-80°)	1,143	48%
Very High (80-90°)	91	1%
Uplight (90-180°)	0	0%
<b>Total Flux</b>	<b>5,817</b>	<b>100%</b>

### ISO Footcandle



10' Mounting Height / 10' Grid Spacing  
 5 FC 2 FC 1 FC 0.5 FC

### Polar Curve



Vertical Plane Horizontal Cone

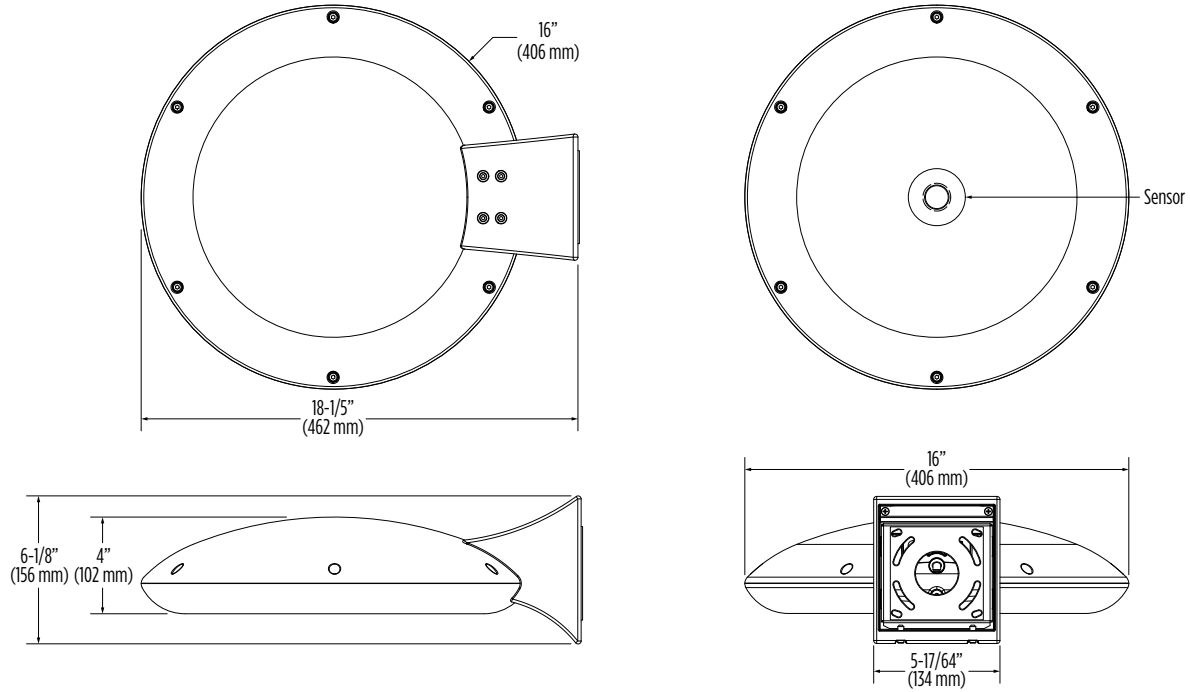
# Opulence Small Wall Mount (OPS WM) Outdoor Wall Light

Type: \_\_\_\_\_

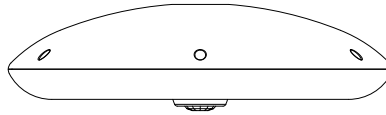
 Have questions? Call us at (800) 436-7800

## PRODUCT DIMENSIONS

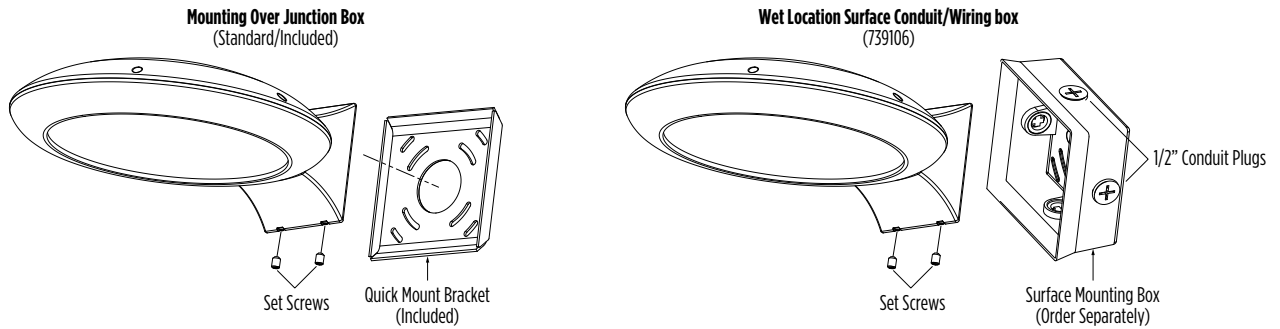
### Opulence Small Side Arm Mount (OPS SA)



### AirLink Blue Wireless / Integral Bluetooth™ Motion & Photocell Sensor (ALBCSx/IMSBTxL)



### Mounting Options



# Opulence Small Wall Mount (OPS WM) Outdoor Wall Light

Type : \_\_\_\_\_

 **Have questions?** Call us at (800) 436-7800

## CONTROLS

### Integral Bluetooth™ Motion and Photocell Sensor (IMSBTxL)

Slim low profile sensor provides multi-level control based on motion and/or daylight. Sensor controls 0-10 VDC LED drivers and is IP66 rated for cold and wet locations (-40°F to 167°F). Two unique PIR lenses are available and used based on fixture mounting height. All control parameters are adjustable via an iOS or Android App capable of storing and transmitting sensor profiles.

[Click here to learn more details about IMSBT](#)



LEVITON App



Apple



Android

### AirLink Blue (ALBCSx)

Wireless Bluetooth Mesh Outdoor Lighting Control System that provides energy savings, code compliance and enhanced safety/security for parking lots and parking garages. Three key components; Bluetooth wireless radio/sensor controller, Time Keeper and an iOS App. Capable of grouping multiple fixtures and sensors as well as scheduling time-based events by zone. Radio/Sensor Controller is factory integrated into Area/Site, Wall Mounted, Parking Garage and Canopy luminaires.

[Click here to learn more details about AirLink Blue](#)



AirLink Blue App



Apple

### Sensor Sequence of Operations

Standard Programming	On Event	Off Event	On Light Level	Dim Light Level	Daylight Harvesting	Delay To Off	Sensitivity
IMSBTxL	Motion	No Motion	100%	N/A	On; Auto Calibration	20 minutes	High

Operation	Description
<b>On Event</b>	Trigger that activates lights to turn on; either automatic via motion detected or manually activated via push of button.
<b>Off Event</b>	Trigger that activates lights to turn off; either automatic via no motion detected or manually activated via push of button.
<b>On Light Level</b>	The light level that the fixtures will turn on to when ON EVENT occurs.
<b>Dim Light Level</b>	The light level that the fixtures will dim down to when no motion is detected.
<b>Delay to Dim</b>	The amount of time after which no motion is detected that the fixtures will be triggered to dim down. This sequence is optional, and sensor can be programmed to only trigger the fixture to turn off by entering 100% in this field.
<b>Delay to Off</b>	The amount of time after which no motion is detected that the fixtures will be triggered to turn off. If delay to dim is part of the programmed functionality, this is the amount of time after which no motion is detected after the fixture have already dimmed down.
<b>Sensitivity</b>	The sensitivity can be set to high, medium, low, or auto where applicable. High will detect smaller, simple motions. Low will only detect larger more complex motions. Auto temperature calibration adjusts the PIR sensitivity as ambient temperature rises to increase detection of heat movement through the field of view.