



Opulence Small Post Top (OPS)

Outdoor Decorative Post Top



IP66



OVERVIEW

Lumen Package (lm)	3,000 - 14,000
Wattage Range (W)	20 - 100
Efficacy Range (LPW)	120 - 155
Weight lbs (kg)	25 (11.3)
Control Options	IMSBT, ALBCS, 7-Pin

QUICK LINKS

FEATURES & SPECIFICATIONS

Construction

- Rugged die-cast aluminum housing.
- Fixtures are finished with LSI's DuraGrip® polyester powder coat finishing process. The DuraGrip finish withstands extreme weather changes without cracking or peeling. Other standard LSI finishes available. Consult factory.

Optical System

- High density LED optical system delivers industry leading optical performance and visual comfort.
- 7 distribution types 3W, 4F, 5Q, 5C, 5R, 5D & AD
- Diffused lens version provides maximum visual comfort with reduced brightness and LED pixelization
- Available in 5000K, 4000K, 3500K, 3000K and 2700K color temperatures per ANSI C78.377. Also available in Phosphor Converted Amber with Peak intensity at 610nm.
- Minimum CRI of 80
- External Shield available for field installation (see accessory ordering information and dimensions for details).

Electrical

- High-performance driver features overvoltage, under-voltage, short-circuit and over temperature protection (6kV surge standard).
- 0-10V dimming driver (optional extended leads).

- Standard Universal Voltage (120-277 VAC) Input 50/60 Hz or optional High Voltage (347-480 VAC).
- Total harmonic distortion (THD): <20%
- Operating temperature: -40°C to +40°C (-40°F to +104°F).
- Power factor (PF): >.90
- Input power stays constant over life.
- Field replaceable 10kV surge protection device meets a minimum Category C Low operation (per ANSI/IEEE C62.41.2).
- Driver is fully encased in potting material for moisture resistance and complies with FCC standards. Driver and key electronic components can easily be accessed.

Controls

- Integral passive infrared Bluetooth™ motion and photocell sensor options. Fixtures operate independently and can be commissioned via an iOS or Android configuration app.
- LSI's AirLink™ Blue lighting control system is a simple feature rich wireless Bluetooth mesh network. The integrated fixture sensor module provides wireless control of grouped fixtures based on motion sensors, daylight or a fully customizable schedule. Updates and modifications to the control strategy are easily implemented via an intuitive iOS app.

Installation

- Designed to mount directly to a 2 3/8" - 3" outer diameter tenon (4" tall).
- Optional flush mount accessory slips inside the top of a 4" round pole for a virtually seamless transition from pole to luminaire.

Warranty

- LSI luminaires carry a 5-year limited warranty. Refer to <https://www.lsicorp.com/resources/terms-conditions-warranty/> for more information.

Listings

- Listed to UL 1598 and UL 8750.
- Meets Buy American Act requirements.
- IDA compliant; with 3000K and warmer color temperature selection.
- Title 24 Compliant; see local ordinance for qualification information.
- Suitable for wet locations.
- IP66 rated Luminaire per IEC 60598-1.
- 3G rated for ANSI C136.31 high vibration applications.
- DesignLights Consortium® (DLC) Premium qualified product. Not all versions of this product may be DLC Premium qualified. Please check the DLC Qualified Products List at www.designlights.org/QPL to confirm which versions are qualified.

Opulence Small Post Top (OPS) Outdoor Decorative Post Top

Type : _____

 **Have questions?** Call us at (800) 436-7800

ORDERING GUIDE

TYPICAL ORDER EXAMPLE: OPS PT 8L 5Q UNV 40K8 BLK ALBCS1							
Prefix	Mounting	Lumen Package ¹	Distribution	Voltage	Color Temperature / Rendering	Finish	Controls
OPS - Opulence Small	PT - Post Top (2.3/8" 3" Tennon)	3L - 3,000 lms, 20w 5L - 5,000 lms, 34w 6L - 6,000 lms, 41w 8L - 8,000 lms, 55w 10L - 10,000 lms, 70w 12L - 12,000 lms, 85w 14L - 14,000 lms, 100w	5Q - Type 5 Square 5C - Type 5 Concentrated 5R - Type 5 Rectangular 3W - Type 3 (Wide Throw) 4F - Type 4 (Forward Throw) 5D - Type 5 Diffused AD - Asymmetric Diffused	UNV - Universal Voltage (120-277V) HV - High Voltage (347-480V)	27K8 - 2700K / 80 CRI 30K8 - 3000K / 80 CRI 35K8 - 3500K / 80 CRI 40K8 - 4000K / 80 CRI 50K8 - 5000K / 80 CRI AMB - Phosphor Converted Amber ²	BLK - Black BRZ - Dark Bronze GMG - Gun Metal Gray GPT - Graphite MSV - Metallic Silver PLP - Platinum Plus WHT - White	Blank - None ALBCS1 - AirLink Blue Wireless Motion & Photo Sensor Controller (8-24' mounting height) ALBCS2 - AirLink Blue Wireless Motion & Photo Sensor Controller (25-40' mounting height) CR7P - 7 Pin Control Receptacle ANSI C136.41 ³ IMSBT1L - Integral Bluetooth™ Motion and Photocell Sensor (8 - 24' mounting height) ³ IMSBT2L - Integral Bluetooth™ Motion and Photocell Sensor (25 - 40' mounting height) ³ EXT - 0-10v Dimming leads extended to housing exterior



Need more information?
[Click here for our glossary.](#)

Have additional questions?
 Call us at (800) 436-7800



CONTROLS ACCESSORIES ORDERING INFORMATION⁴

Order Number	Description
122514	Twist Lock Photocell (120V) for use with CR7P
122515	Twist Lock Photocell (208-277) for use with CR7P
122516	Twist Lock Photocell (347V) for use with CR7P
1225180	Twist Lock Photocell (480V) for use with CR7P
661409	AirLink 5 Pin Twist Lock Controller
661410	AirLink 7 Pin Twist Lock Controller
149328	Shorting Cap for use with CR7P

FUSING ACCESSORIES ORDERING INFORMATION⁵

Order Number	Description
FK120	Single Fusing (120V)
FK277	Single Fusing (277V)
DFK347	Double Fusing (347V)
DFK480	Double Fusing (480V)

MOUNTING ACCESSORIES ORDERING INFORMATION⁶

Order Number ⁷	Description
764420CLR	Internal Flush Mount Adapter for 4" OD Round Pole
761587CLR	Post Top Wall Mount Bracket
761588CLR	D180 Post Top Arm Bracket
694638CLR	Internal Tenon Adapter for 4" Square Pole
694641CLR	Internal Tenon Adapter for 5" Square Pole
694642CLR	Internal Tenon Adapter for 6" Square Pole
483859CLR	Decorative Base Cover (4 / 5" Round Poles)
781340	EHS - External Shield (Black Finish Only)

¹ 120-277V Only. Not available with 14L Lumen Package.

² Amber LEDs not available in 12L or 14L lumen packages

³ IMSBTxL is field configurable via the Leviton app that can be downloaded from your smartphone's app store.

⁴ Control device or shorting cap must be ordered separately. See Accessory Ordering Information.

⁵ Fusing must be located in hand hole of pole.

⁶ Accessories are shipped separately and field installed.

⁷ "CLR" to be replaced by paint finish selection. See Finish options for paint color selections.



Opulence Small Post Top (OPS) Outdoor Decorative Post Top

Type : _____

 Have questions? Call us at (800) 436-7800

PERFORMANCE

DELIVERED LUMENS (OPS PT)*																		
Lumen Package	Distribution	CRI	2700K CCT			3000K CCT			3500K CCT			4000K CCT			5000K CCT			Wattage
			Delivered Lumens	Efficacy	BUG Rating	Delivered Lumens	Efficacy	BUG Rating	Delivered Lumens	Efficacy	BUG Rating	Delivered Lumens	Efficacy	BUG Rating	Delivered Lumens	Efficacy	BUG Rating	
3L	5Q	80	2,876	142	B1-U2-G1	2,969	146	B1-U2-G1	2,920	144	B1-U2-G1	3,040	150	B1-U2-G1	3,080	152	B1-U2-G1	20
	5C		2,953	146	B1-U3-G1	3,048	150	B1-U3-G1	2,998	148	B1-U3-G1	3,121	153	B1-U3-G1	3,162	155	B1-U3-G1	
	5R		2,843	139	B1-U2-G1	2,936	145	B1-U2-G1	2,888	141	B1-U2-G1	3,005	148	B2-U2-G2	3,045	150	B2-U2-G2	
	4F		2,850	141	B1-U2-G1	2,942	145	B1-U2-G1	2,894	143	B1-U2-G1	3,012	148	B1-U2-G1	3,052	150	B1-U2-G1	
	3W		2,840	140	B1-U2-G1	2,933	145	B1-U2-G1	2,884	142	B1-U2-G1	3,002	148	B1-U2-G1	3,042	150	B1-U2-G1	
	5D		2,648	130	B1-U2-G1	2,734	134	B1-U2-G1	2,689	132	B1-U2-G1	2,798	138	B1-U2-G1	2,836	140	B1-U2-G1	
	AD		2,655	131	B1-U2-G1	2,742	135	B1-U2-G1	2,696	133	B1-U2-G1	2,806	139	B1-U2-G1	2,843	140	B1-U2-G1	
5L	5Q	80	4,751	138	B2-U3-G1	4,906	142	B2-U3-G1	4,825	140	B2-U3-G1	5,021	146	B2-U3-G1	5,087	147	B2-U3-G1	34
	5C		4,877	142	B2-U3-G1	5,036	146	B2-U3-G1	4,953	144	B2-U3-G1	5,154	149	B2-U3-G1	5,223	151	B2-U3-G1	
	5R		4,698	137	B2-U3-G2	4,850	141	B2-U3-G2	4,770	139	B2-U3-G2	4,964	144	B2-U3-G2	5,031	146	B2-U3-G2	
	4F		4,708	137	B1-U3-G1	4,862	141	B1-U3-G1	4,781	139	B1-U3-G1	4,976	144	B1-U3-G1	5,042	146	B1-U3-G1	
	3W		4,691	135	B1-U3-G1	4,845	141	B1-U3-G1	4,765	138	B1-U3-G1	4,959	144	B1-U3-G1	5,024	146	B1-U3-G1	
	5D		4,374	127	B2-U3-G1	4,516	131	B2-U3-G1	4,443	129	B2-U3-G1	4,623	134	B2-U3-G1	4,684	135	B2-U3-G1	
	AD		4,386	127	B1-U3-G1	4,529	131	B1-U3-G1	4,454	129	B1-U3-G1	4,636	134	B1-U3-G1	4,698	137	B1-U3-G1	
6L	5Q	80	5,630	139	B2-U3-G1	5,813	143	B2-U3-G1	5,717	141	B2-U3-G1	5,950	147	B2-U3-G1	6,029	148	B2-U3-G1	41
	5C		5,780	143	B2-U3-G1	5,968	147	B2-U3-G1	5,870	145	B2-U3-G1	6,109	150	B2-U3-G1	6,190	152	B2-U3-G1	
	5R		5,567	138	B2-U3-G2	5,748	142	B2-U3-G2	5,653	140	B2-U3-G2	5,883	145	B2-U3-G2	5,961	147	B2-U3-G2	
	4F		5,580	138	B1-U3-G1	5,760	142	B1-U3-G1	5,666	140	B1-U3-G1	5,897	145	B1-U3-G1	5,975	147	B1-U3-G1	
	3W		5,560	137	B2-U3-G1	5,740	142	B2-U3-G1	5,647	139	B2-U3-G1	5,877	145	B2-U3-G1	5,955	147	B2-U3-G1	
	5D		5,184	128	B2-U3-G1	5,352	132	B2-U3-G1	5,265	129	B2-U3-G1	5,479	135	B2-U3-G1	5,551	137	B2-U3-G1	
	AD		5,198	128	B2-U3-G1	5,367	132	B2-U3-G1	5,278	130	B2-U3-G1	5,494	135	B2-U3-G1	5,566	138	B2-U3-G1	
8L	5Q	80	7,544	137	B3-U3-G1	7,790	141	B3-U3-G1	7,662	139	B3-U3-G1	7,974	145	B3-U3-G1	8,080	146	B3-U3-G1	55
	5C		7,745	141	B2-U3-G1	7,997	145	B2-U3-G1	7,866	143	B2-U3-G1	8,186	148	B3-U3-G1	8,294	150	B3-U3-G1	
	5R		7,459	135	B3-U3-G3	7,702	140	B3-U3-G3	7,575	138	B3-U3-G3	7,883	143	B3-U3-G3	7,988	145	B3-U3-G3	
	4F		7,476	135	B2-U3-G1	7,720	140	B2-U3-G1	7,593	138	B2-U3-G1	7,901	143	B2-U3-G1	8,006	145	B2-U3-G1	
	3W		7,451	135	B2-U3-G2	7,692	140	B2-U3-G2	7,566	138	B2-U3-G2	7,874	143	B2-U3-G2	7,979	145	B2-U3-G2	
	5D		6,947	126	B2-U3-G1	7,173	130	B2-U3-G1	7,054	128	B2-U3-G1	7,342	133	B2-U3-G1	7,439	134	B2-U3-G1	
	AD		6,966	126	B2-U3-G2	7,191	130	B2-U3-G2	7,073	128	B2-U3-G2	7,362	133	B2-U3-G2	7,459	135	B2-U3-G2	
10L	5Q	80	9,514	134	B3-U3-G1	9,823	139	B3-U3-G1	9,661	137	B3-U3-G1	10,055	143	B3-U3-G1	10,188	144	B3-U3-G1	70
	5C		9,767	139	B3-U3-G1	10,084	143	B3-U3-G1	9,918	141	B3-U3-G1	10,323	146	B3-U3-G1	10,459	148	B3-U3-G1	
	5R		9,407	133	B3-U3-G3	9,713	138	B3-U3-G3	9,552	135	B3-U3-G3	9,941	141	B3-U3-G3	10,074	143	B3-U3-G3	
	4F		9,428	133	B2-U3-G2	9,735	138	B2-U3-G2	9,574	135	B2-U3-G2	9,965	141	B2-U3-G2	10,097	143	B2-U3-G2	
	3W		9,395	133	B2-U3-G2	9,701	138	B2-U3-G2	9,541	135	B2-U3-G2	9,930	141	B2-U3-G2	10,062	143	B2-U3-G2	
	5D		8,760	124	B3-U3-G2	9,045	128	B3-U3-G2	8,896	126	B3-U3-G2	9,258	131	B3-U3-G2	9,381	132	B3-U3-G2	
	AD		8,783	124	B2-U3-G2	9,069	128	B2-U3-G2	8,920	126	B2-U3-G2	9,283	131	B2-U3-G2	9,406	133	B2-U3-G2	
12L	5Q	80	11,341	132	B3-U3-G1	11,710	137	B3-U3-G1	11,516	134	B3-U3-G1	11,986	141	B3-U3-G1	12,144	142	B3-U3-G1	85
	5C		11,642	137	B3-U3-G1	12,020	141	B3-U3-G1	11,823	139	B3-U3-G1	12,304	144	B3-U3-G1	12,468	146	B3-U3-G1	
	5R		11,213	131	B3-U3-G3	11,577	135	B3-U3-G3	11,386	133	B3-U3-G3	11,850	139	B3-U3-G3	12,008	141	B3-U3-G3	
	4F		11,238	131	B2-U3-G2	11,604	135	B2-U3-G2	11,412	133	B2-U3-G2	11,878	139	B2-U3-G2	12,035	141	B2-U3-G2	
	3W		11,199	131	B2-U3-G2	11,564	135	B2-U3-G2	11,374	133	B2-U3-G2	11,837	139	B2-U3-G2	11,994	141	B2-U3-G2	
	5D		10,442	122	B3-U3-G2	10,781	126	B3-U3-G2	10,604	124	B3-U3-G2	11,036	129	B3-U3-G2	11,183	131	B3-U3-G2	
	AD		10,471	123	B2-U3-G2	10,811	126	B2-U3-G2	10,632	124	B2-U3-G2	11,066	129	B2-U3-G2	11,213	131	B2-U3-G2	
14L	5Q	80	13,111	130	B3-U3-G2	13,538	134	B3-U3-G2	13,315	132	B3-U3-G2	13,857	138	B3-U3-G2	14,041	140	B3-U3-G2	100
	5C		13,460	134	B3-U3-G1	13,898	139	B3-U3-G1	13,669	137	B3-U3-G1	14,225	142	B3-U3-G1	14,414	144	B3-U3-G1	
	5R		12,963	129	B3-U3-G3	13,384	133	B3-U3-G3	13,164	131	B3-U3-G3	13,700	137	B3-U3-G3	13,882	139	B3-U3-G3	
	4F		12,993	129	B2-U3-G2	13,415	133	B2-U3-G2	13,194	131	B2-U3-G2	13,732	137	B2-U3-G2	13,915	139	B2-U3-G2	
	3W		12,949	129	B2-U3-G2	13,369	133	B3-U3-G3	13,149	131	B3-U3-G3	13,685	137	B3-U3-G3	13,866	139	B3-U3-G3	
	5D		12,072	120	B3-U3-G2	12,465	124	B3-U3-G2	12,259	122	B3-U3-G2	12,759	127	B3-U3-G2	12,928	129	B3-U3-G2	
	AD		12,104	120	B2-U3-G2	12,498	124	B2-U3-G2	12,292	122	B2-U3-G2	12,793	127	B2-U3-G2	12,963	129	B3-U3-G2	

Note: LED Chips are frequently updated therefore values are nominal.

Opulence Small Post Top (OPS) Outdoor Decorative Post Top

Type : _____

 Have questions? Call us at (800) 436-7800

PERFORMANCE

Delivered Lumens - PC Amber						
Lumen Package	Distribution	CRI	PC Amber			Wattage
			Delivered Lumens	Efficacy	BUG Rating	
3L	5Q	80	1,966	89	B1-U2-G1	22
	5C		2,019	92	B1-U3-G1	
	5R		1,943	88	B1-U2-G1	
	4F		1,917	87	B1-U2-G1	
	3W		1,881	86	B1-U2-G1	
	5D		1,810	82	B1-U2-G1	
	AD		1,814	82	B1-U2-G1	
5L	5Q	80	3,177	88	B2-U3-G1	36
	5C		3,261	91	B2-U3-G1	
	5R		3,141	87	B2-U3-G2	
	4F		3,098	86	B1-U3-G1	
	3W		3,041	84	B1-U3-G1	
	5D		2,925	81	B2-U3-G1	
	AD		2,933	81	B1-U3-G1	
6L	5Q	80	3,650	85	B2-U3-G1	43
	5C		3,747	87	B2-U3-G1	
	5R		3,608	84	B2-U3-G2	
	4F		3,559	83	B1-U3-G1	
	3W		3,494	81	B2-U3-G1	
	5D		3,360	78	B2-U3-G1	
	AD		3,369	78	B2-U3-G1	
8L	5Q	80	4,934	84	B3-U3-G1	59
	5C		5,065	86	B2-U3-G1	
	5R		4,878	83	B3-U3-G3	
	4F		4,811	82	B2-U3-G1	
	3W		4,724	80	B2-U3-G2	
	5D		4,543	77	B2-U3-G1	
	AD		4,555	77	B2-U3-G2	
10L	5Q	80	6,016	81	B3-U3-G1	74
	5C		6,176	83	B3-U3-G1	
	5R		5,948	80	B3-U3-G3	
	4F		5,866	79	B2-U3-G2	
	3W		5,759	78	B2-U3-G2	
	5D		5,539	75	B3-U3-G2	
	AD		5,554	75	B2-U3-G2	

Note: LED Chips are frequently updated therefore values are nominal.

Opulence Small Post Top (OPS) Outdoor Decorative Post Top

Type : _____

 Have questions? Call us at (800) 436-7800

PERFORMANCE

Electrical Data (Amps) ¹							
Lumen Package	Wattage	120V	208V	240V	277V	347V	480V
3L	20	0.17	0.1	0.08	0.07	0.06	0.04
5L	34	0.29	0.16	0.14	0.12	0.1	0.07
6L	41	0.35	0.2	0.17	0.15	0.12	0.09
8L	55	0.46	0.26	0.23	0.2	0.16	0.11
10L	70	0.59	0.34	0.29	0.25	0.2	0.15
12L	85	0.84	0.48	0.42	0.36	0.29	0.21
14L	100	0.84	0.48	0.42	0.36	0.29	0.21

Electrical Data (Amps) PC Amber ¹							
Lumen Package	Wattage	120V	208V	240V	277V	347V	480V
3L	22	0.18	0.11	0.09	0.08	0.06	0.05
5L	36	0.30	0.17	0.15	0.13	0.10	0.08
6L	43	0.36	0.21	0.18	0.16	0.12	0.09
8L	59	0.49	0.28	0.25	0.21	0.17	0.12
10L	74	0.62	0.36	0.31	0.27	0.21	0.15

Recommended Lumen Maintenance - OPS PT 10L ²					
Ambient Temperature °C	Initial ³	25K hrs. ³	50K hrs. ³	75K hrs. ⁴	100K hrs. ⁴
0-40	102%	99%	96%	93%	90%

¹ Electrical data at 25C (77F). Actual wattage may differ by +/-10%.

² Lumen maintenance values are calculated per TM-21 based on LM-80 data and in-situ luminaire testing.

³ In accordance with IESNA TM-21-11, Projected Values represent interpolated value based on time durations that are within six times (6X) the IESNA LM-80-08 total test duration (in hours) for the device under testing (DUT) i.e. the packaged LED chip).

⁴ In accordance with IESNA TM-21-11, Calculated Values represent time durations that exceed six times NA LM-80-08 total test duration (in hours) for the device under testing (DUT) i.e. the packaged LED chip).

Opulence Small Post Top (OPS) Outdoor Decorative Post Top

Type : _____

 Have questions? Call us at (800) 436-7800

PHOTOMETRICS

Luminaire photometry has been conducted by a NVLAP accredited testing laboratory in accordance with IESNA LM-79-08. As specified by IESNA LM-79-08 the entire luminaire is tested as the source resulting in a luminaire efficiency of 100%.

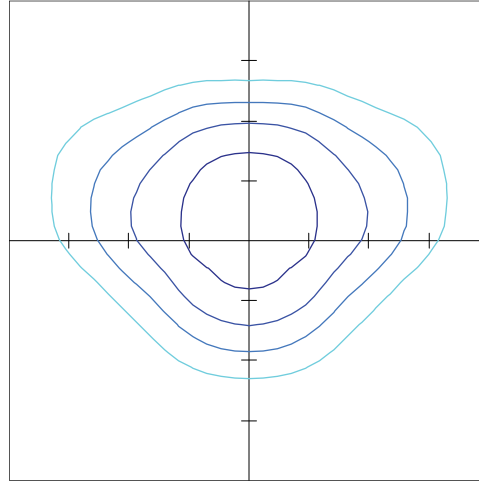
See the individual product page on <https://www.lsicorp.com/> for detailed photometric data.

OPS-PT-14L-3W-40K8

Luminaire Data	
Wide Distribution	
Description	4000 Kelvin, 80 CRI
Delivered Lumens	12,634
Watts	100
Efficacy	126
IES Type	Type III - Very Short
BUG Rating	B3-U0-G1

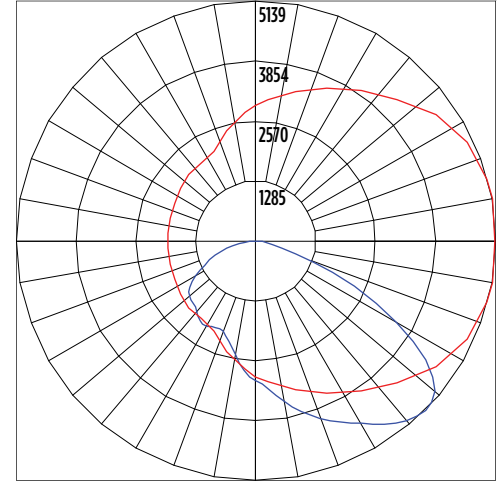
Zonal Lumen Summary		
Zone	Lumens	% Luminaire
Low (0-30°)	2,005	16%
Medium (30-60°)	6,474	51%
High (60-80°)	3,555	28%
Very High (80-90°)	302	2%
Uplight (90-180°)	298.2	2%
Total Flux	12,634	100%

ISO Footcandle



15' Mounting Height / 15' Grid Spacing
 5 FC 2 FC 1 FC 0.5 FC

Polar Curve



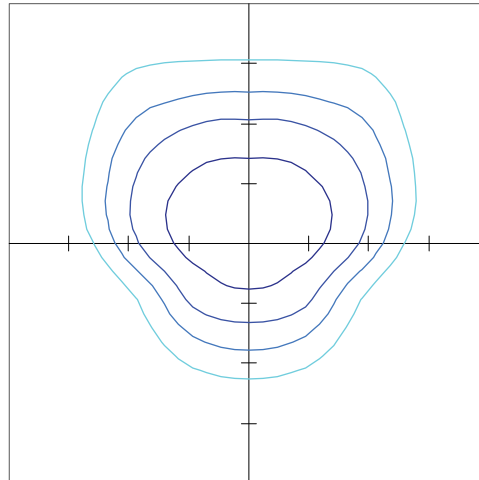
Vertical Plane Horizontal Cone

OPS-PT-14L-4F-40K8

Luminaire Data	
Wide Distribution	
Description	4000 Kelvin, 80 CRI
Delivered Lumens	12,868
Watts	100
Efficacy	129
IES Type	Type IV - Very Short
BUG Rating	B2-U3-G2

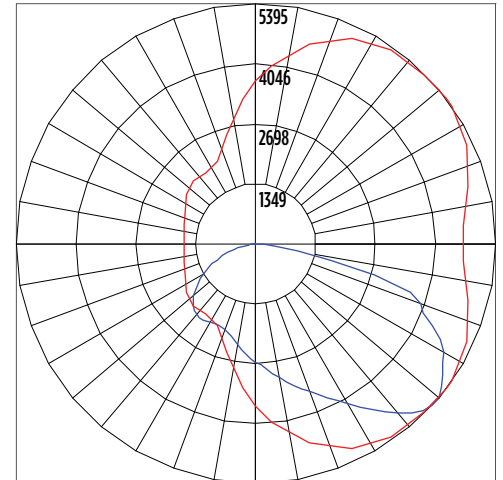
Zonal Lumen Summary		
Zone	Lumens	% Luminaire
Low (0-30°)	2,329	15%
Medium (30-60°)	10,634	55%
High (60-80°)	5,246	26%
Very High (80-90°)	208	2%
Uplight (90-180°)	0	2%
Total Flux	18,417	100%

ISO Footcandle



15' Mounting Height / 15' Grid Spacing
 5 FC 2 FC 1 FC 0.5 FC

Polar Curve



Vertical Plane Horizontal Cone

Opulence Small Post Top (OPS) Outdoor Decorative Post Top

Type : _____

 Have questions? Call us at (800) 436-7800

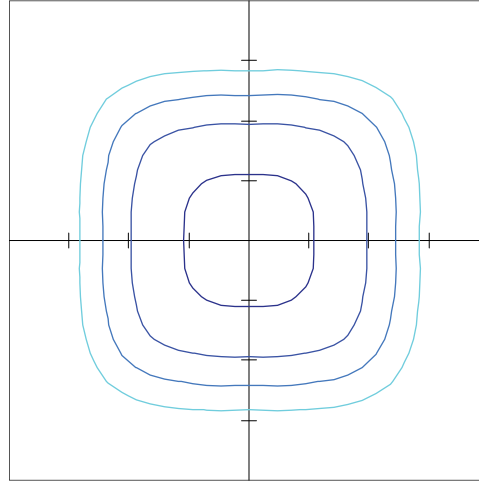
PHOTOMETRICS

OPS-PT-14L-5Q-40K8

Luminaire Data	
Wide Distribution	
Description	4000 Kelvin, 80 CRI
Delivered Lumens	13,197
Watts	100
Efficacy	132
IES Type	Type VS - Short
BUG Rating	B3-U3-G2

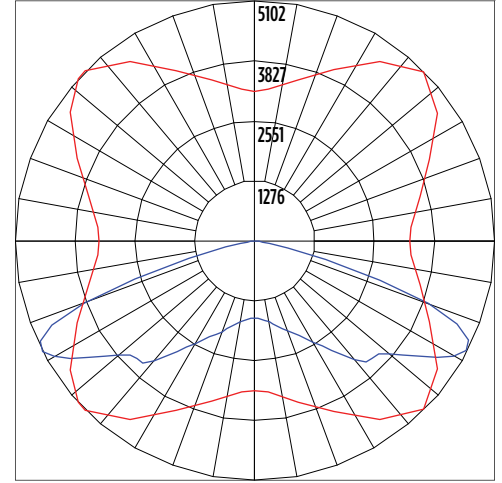
Zonal Lumen Summary		
Zone	Lumens	% Luminaire
Low (0-30°)	1,472	11%
Medium (30-60°)	7,284	55%
High (60-80°)	3,972	30%
Very High (80-90°)	183	1%
Uplight (90-180°)	286	2%
Total Flux	13,198	100%

ISO Footcandle



15' Mounting Height / 15' Grid Spacing
 5 FC 2 FC 1 FC 0.5 FC

Polar Curve



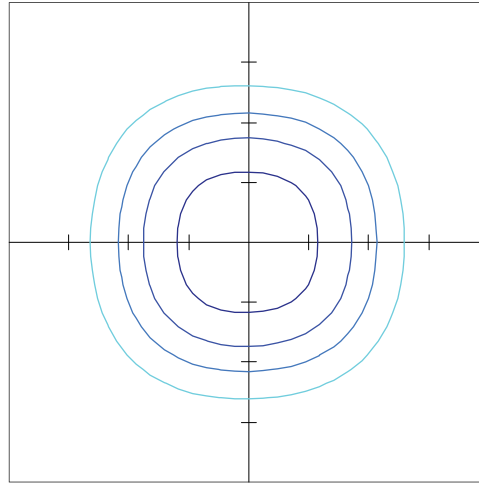
Vertical Plane Horizontal Cone

OPS-PT-14L-5D-40K8

Luminaire Data	
Wide Distribution	
Description	4000 Kelvin, 80 CRI
Delivered Lumens	12,151
Watts	100
Efficacy	122
IES Type	Type VS - Very Short
BUG Rating	B3-U3-G2

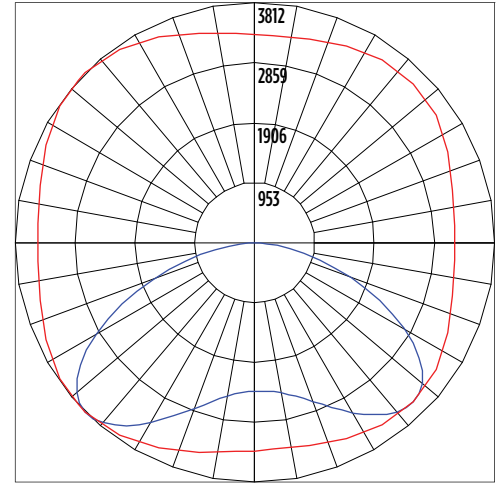
Zonal Lumen Summary		
Zone	Lumens	% Luminaire
Low (0-30°)	1,817	15%
Medium (30-60°)	6,781	56%
High (60-80°)	2,960	24%
Very High (80-90°)	304	3%
Uplight (90-180°)	289	2%
Total Flux	12,151	100%

ISO Footcandle



15' Mounting Height / 15' Grid Spacing
 5 FC 2 FC 1 FC 0.5 FC

Polar Curve



Vertical Plane Horizontal Cone

Opulence Small Post Top (OPS) Outdoor Decorative Post Top

Type: _____

 Have questions? Call us at (800) 436-7800

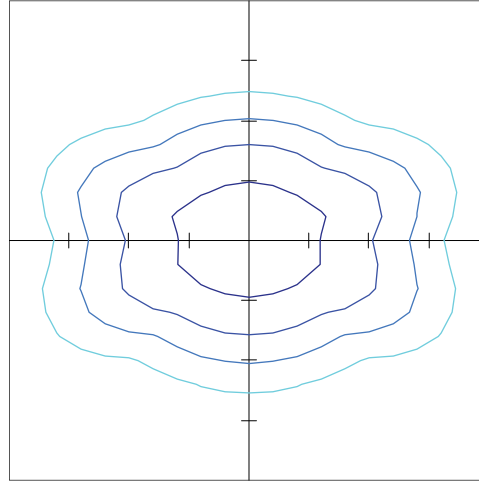
PHOTOMETRICS

OPS-PT-14L-5R-40K8

Luminaire Data	
Wide Distribution	
Description	4,000 Kelvin, 80 CRI
Delivered Lumens	13,197
Watts	100
Efficacy	132
IES Type	Type VS - Short
BUG Rating	B3-U3-G2

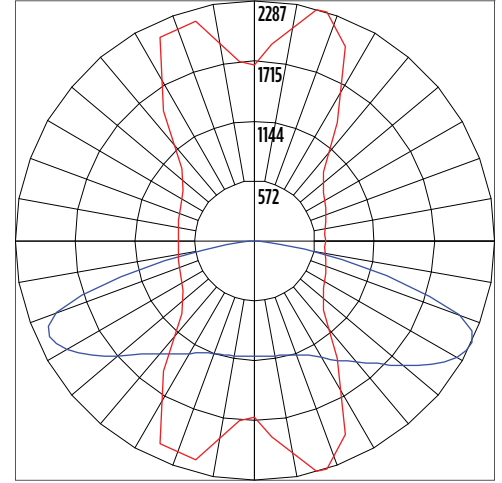
Zonal Lumen Summary		
Zone	Lumens	% Luminaire
Low (0-30°)	1,472	11%
Medium (30-60°)	7,284	55%
High (60-80°)	3,972	30%
Very High (80-90°)	183	1%
Uplight (90-180°)	286	2%
Total Flux	13,198	100%

ISO Footcandle



10' Mounting Height / 10' Grid Spacing
 5 FC 2 FC 1 FC 0.5 FC

Polar Curve



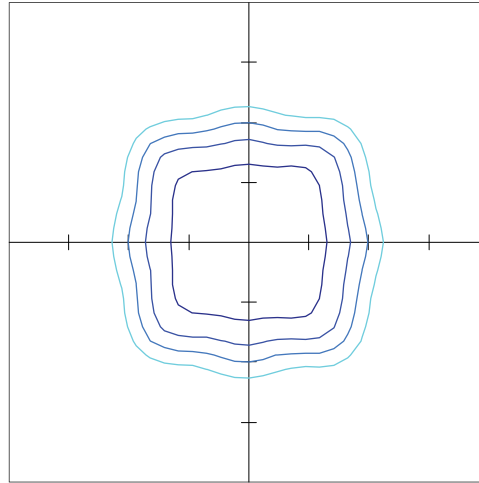
Vertical Plane Horizontal Cone

OPS-PT-14L-5C-40K8

Luminaire Data	
Wide Distribution	
Description	4000 Kelvin, 80 CRI
Delivered Lumens	13,548
Watts	100
Efficacy	135
IES Type	Type VS - Very Short
BUG Rating	B3-U3-G1

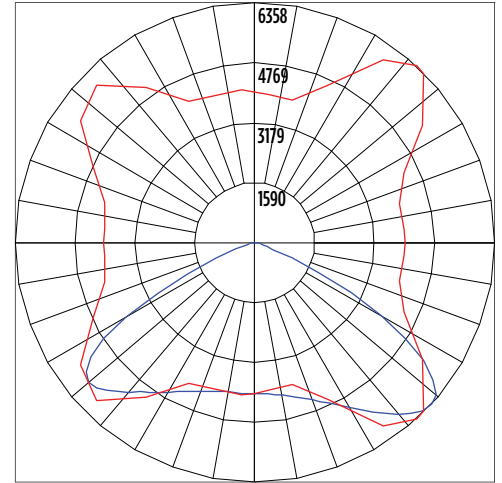
Zonal Lumen Summary		
Zone	Lumens	% Luminaire
Low (0-30°)	2,771	9%
Medium (30-60°)	8,838	43%
High (60-80°)	1,415	48%
Very High (80-90°)	146	1%
Uplight (90-180°)	379	0%
Total Flux	13,548	100%

ISO Footcandle



10' Mounting Height / 10' Grid Spacing
 5 FC 2 FC 1 FC 0.5 FC

Polar Curve



Vertical Plane Horizontal Cone

Opulence Small Post Top (OPS) Outdoor Decorative Post Top

Type: _____

 Have questions? Call us at (800) 436-7800

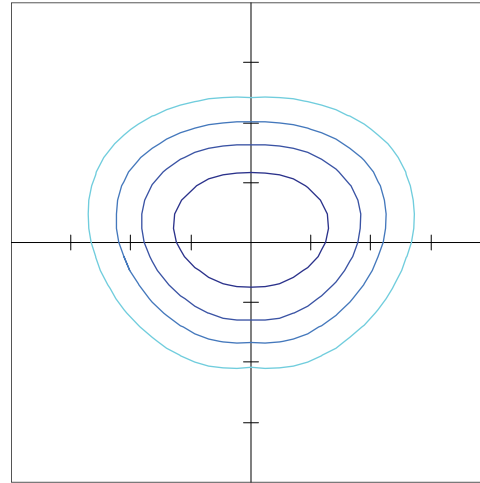
PHOTOMETRICS

OPS-PT-14L-AD-40K8

Luminaire Data	
Wide Distribution	
Description	4000 Kelvin, 80 CRI
Delivered Lumens	12,184
Watts	100
Efficacy	122
IES Type	Type II - Very Short
BUG Rating	B3-U3-G2

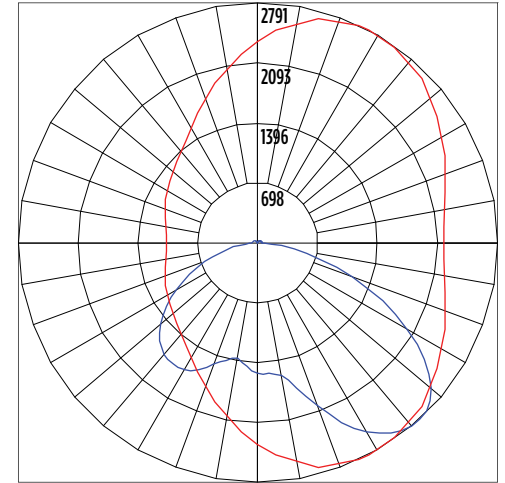
Zonal Lumen Summary		
Zone	Lumens	% Luminaire
Low (0-30°)	2,376	9%
Medium (30-60°)	6,708	43%
High (60-80°)	2,522	48%
Very High (80-90°)	265	1%
Uplight (90-180°)	314	0%
Total Flux	12,184	100%

ISO Footcandle



15' Mounting Height / 15' Grid Spacing
 5 FC 2 FC 1 FC 0.5 FC

Polar Curve



Vertical Plane Horizontal Cone

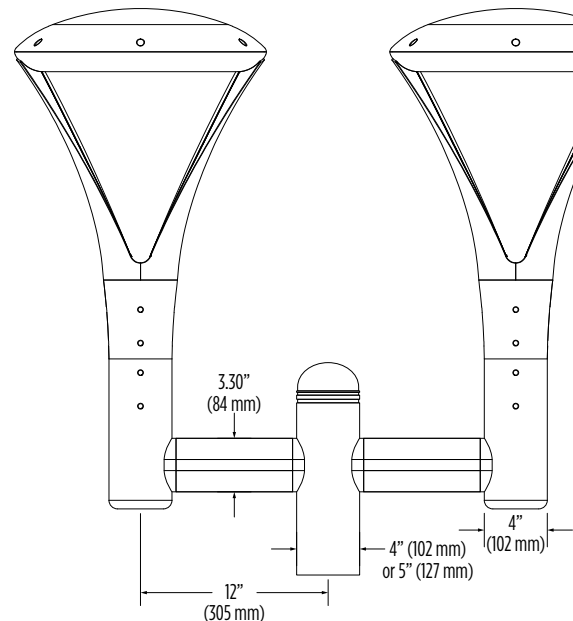
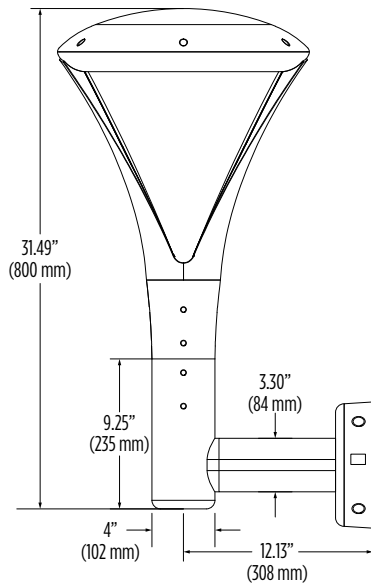
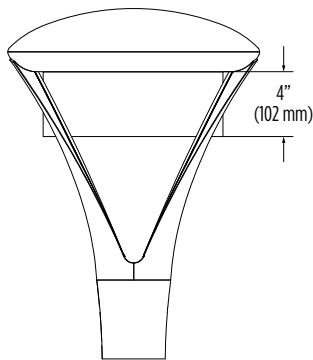
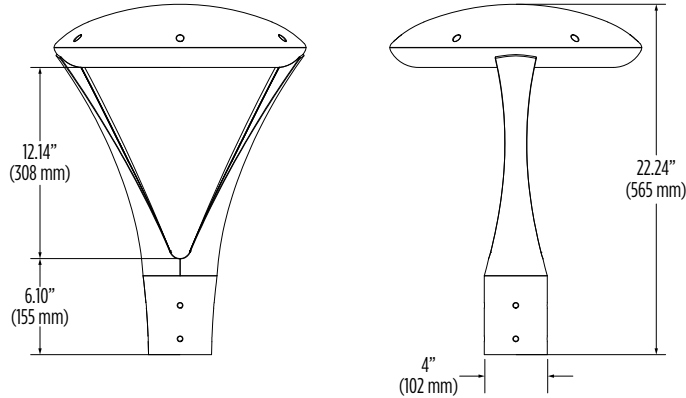
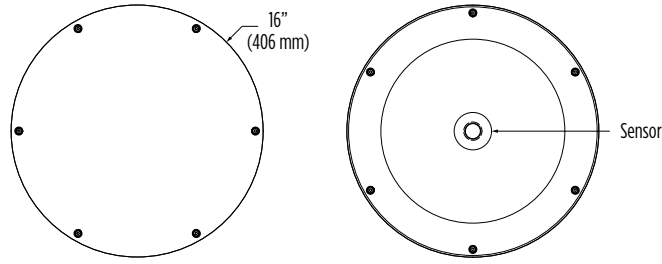
Opulence Small Post Top (OPS) Outdoor Decorative Post Top

Type : _____



 Have questions? Call us at (800) 436-7800

PRODUCT DIMENSIONS

Opulence Small Post Top (OPS PT)



External Shield

Luminaire EPA Chart - OPS PT		
Configuration	 PT Single	 PT D180°
EPA	0.75	1.75

Post Top Wall Mount Bracket

1.5G rated Wall Mount Arm mounts to standard 4" steel J-Box (Supplied by others) and is provided with masonry anchors for extra support.

D180 Post Top Arm Bracket

Optional D180 1.5G rated Arm Assembly Mounts to 4" Pole (D180 B3 Bolt-on). Consult factory for alternate configurations. Pole cap accessory not included.

Opulence Small Post Top (OPS) Outdoor Decorative Post Top

Type : _____

 **Have questions?** Call us at (800) 436-7800

CONTROLS

Integral Bluetooth™ Motion and Photocell Sensor (IMSBTxL)

Slim low profile sensor provides multi-level control based on motion and/or daylight. Sensor controls 0-10 VDC LED drivers and is IP66 rated for cold and wet locations (-40°F to 167°F). Two unique PIR lenses are available and used based on fixture mounting height. All control parameters are adjustable via an iOS or Android App capable of storing and transmitting sensor profiles.

[Click here to learn more details about IMSBT](#)



LEVITON App



Apple



Android

AirLink Blue (ALBCSx)

Wireless Bluetooth Mesh Outdoor Lighting Control System that provides energy savings, code compliance and enhanced safety/security for parking lots and parking garages. Three key components; Bluetooth wireless radio/sensor controller, Time Keeper and an iOS App. Capable of grouping multiple fixtures and sensors as well as scheduling time-based events by zone. Radio/Sensor Controller is factory integrated into Area/Site, Wall Mounted, Parking Garage and Canopy luminaires.

[Click here to learn more details about AirLink Blue](#)



AirLink Blue App



Apple

Sensor Sequence of Operations

Standard Programming	On Event	Off Event	On Light Level	Dim Light Level	Daylight Harvesting	Delay To Off	Sensitivity
IMSBTxL	Motion	No Motion	100%	N/A	On; Auto Calibration	20 minutes	High

Operation	Description
On Event	Trigger that activates lights to turn on; either automatic via motion detected or manually activated via push of button.
Off Event	Trigger that activates lights to turn off; either automatic via no motion detected or manually activated via push of button.
On Light Level	The light level that the fixtures will turn on to when ON EVENT occurs.
Dim Light Level	The light level that the fixtures will dim down to when no motion is detected.
Delay to Dim	The amount of time after which no motion is detected that the fixtures will be triggered to dim down. This sequence is optional, and sensor can be programmed to only trigger the fixture to turn off by entering 100% in this field.
Delay to Off	The amount of time after which no motion is detected that the fixtures will be triggered to turn off. If delay to dim is part of the programmed functionality, this is the amount of time after which no motion is detected after the fixture have already dimmed down.
Sensitivity	The sensitivity can be set to high, medium, low, or auto where applicable. High will detect smaller, simple motions. Low will only detect larger more complex motions. Auto temperature calibration adjusts the PIR sensitivity as ambient temperature rises to increase detection of heat movement through the field of view.

POLES & BRACKETS

LSI offers a full line of poles and mounting accessories to complete your lighting assembly. Aluminum and steel in both square and round shafts. In addition, LSI offers round tapered, fluted and hinge based poles. Designed and engineered for durability and protected with our oven baked DuraGrip Protection System. Also available with our DuraGrip+ Protection system for unmatched corrosion resistance and an extended warranty. American made in our Ohio facility with industry leading lead times.

[Click here to learn more details about poles & brackets](#)



Internal Flush Mount Adaptor 4" Round Straight Pole

Optional flush mount accessory slips inside the top of a 4" round pole for a virtually seamless transition from pole to luminaire. Painted with LSI - Duragrip paint for unmatched corrosion resistance.



Square Internal Tenon Adaptor

The Square Pole Tenon 4", 5", & 6" adaptors allow for the Opulence Post Top to be mounted on a square open top steel pole. Tenon adaptors slice into pole and bolt through the securing the tenon to the pole. These tenons are made hearty steel tubing, are double-welded and are painted with LSI Duragrip paint. Shipped with mounting hardware assembled.



Round External Tenon Adaptor

The Round Pole Top Tenon adaptors provide the right size tenon to ensure proper mounting of the Opulence Post Top on the Round tapered or straight poles. These tenons are made from heavy steel tubing, are double-welded, and are painted with LSI Duragrip paint. Shipped with mounting hardware assembled.



Spun Aluminum Collar Round Straight Pole

Optional one-piece spun aluminum collar for 4" or 5" diameter straight round poles. Features durable, high quality construction with aesthetically pleasing design that slips over the pole for increased theft deterrent.



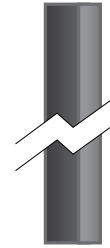
Contemporary Base Cover Tapered Pole

Optional contemporary base cover is cast from 356 alloy aluminum and provided with an access door. Available with 10' - 18' round taper pole shafts. The complete assembly is heat-treated to a T6 temper.



Decorative Base Cover Round Straight Pole

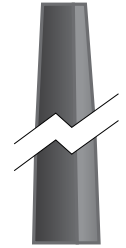
Optional decorative base cover has a two-piece die cast construction with stainless steel fasteners. Base cover is polyester powder coated to match pole. GBC base cover fits 4" and 5" diameter straight round poles. Includes 4" round pole adaptor molded from black silicone rubber.



Square Pole
14' - 30'



Round Pole
10' - 30'



Tapered Pole
10' - 30'