



OUTDOOR ARCHITECTURAL LUMINAIRES



MIRADA™

*High-Performance Outdoor
Lighting Solutions*

MIRADA LUMINAIRES

ARE EVERYWHERE YOU LOOK!

LSI's high-performance Mirada lighting solutions are made in America and valued by facility owners, architects, engineers and contractors for their quality, reliability and innovation. These energy-efficient, highly attractive LED fixtures give you more illumination options when considering the photometric requirements, architecture and size of your facility, and they are ideal for both new and

retrofit construction projects. Available in multiple configurations and compatible with our AirLink Blue wireless controls, our Mirada luminaires are among the most versatile, and popular, outdoor fixtures in America. In addition, each of these luminaires meet DLC and Buy American Act requirements, and all can comply with California's Title 24 energy conservation requirements.



AREA LIGHT



WALL SCONCE



POST TOP



BOLLARD



MIRADA COLLECTION

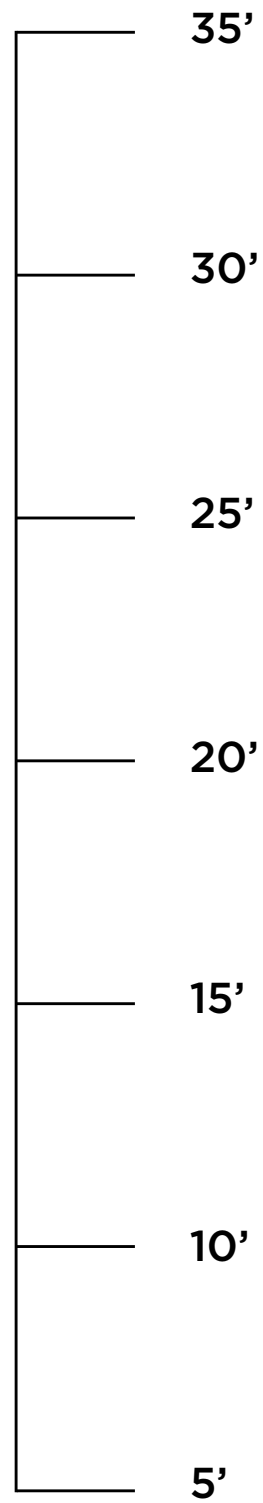
Regardless of mounting height or light level requirements, the Mirada family provides a consistent aesthetic throughout your site with a coordinated collection of luminaries. Mirada fixtures seamlessly integrate into any application and provide visual comfort that complements the surrounding architecture. With a wide variety of sizes and mounting configurations, the Mirada family of area lights is highly flexible and scalable - meticulously designed to meet all of your needs.

Area Lighting: Mirada Large (MRL), Mirada Medium (MRM), Mirada Small (MRS)

Post Top: Mirada Post Top - High Output (MPH), Mirada Post Top - Pedestrian Scale (MPP)

Bollard: Pedestrian Scale (MRB)

Wall Lighting: Medium Mirada Wall Sconce (XWM), Small Mirada Wall Sconce (XWS)



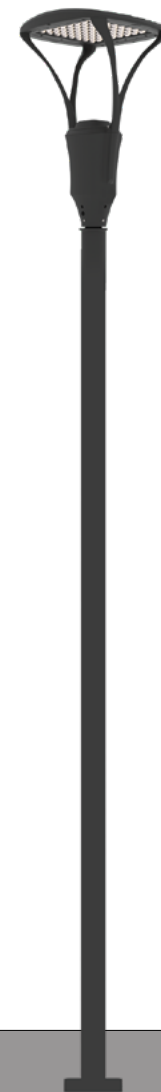
MPH



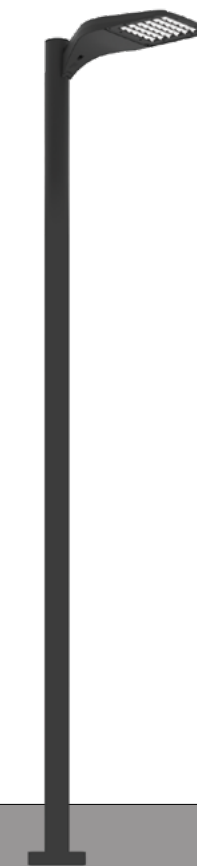
MRL



MRM



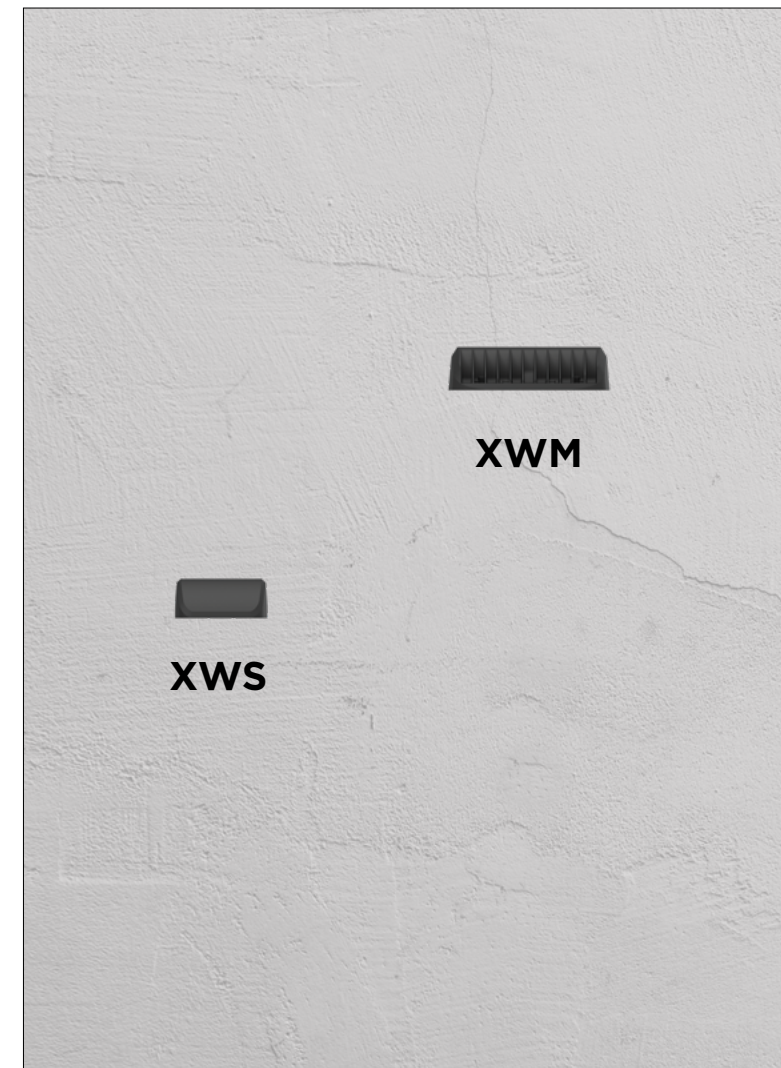
MPP



MRS



MRB



AREA LIGHTING

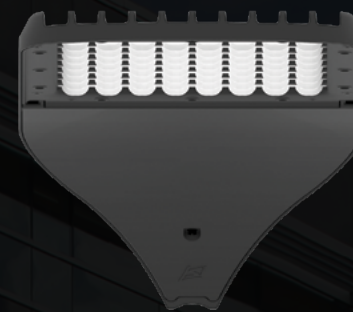
IDEAL SIZE, SCALE AND PERFORMANCE

Our Mirada area lights are available in three sizes that can produce a variety of outputs, allowing you to customize your lighting design to meet specific application requirements. Contemporary, sleek and low-profile styling helps our Mirada area lights blend into any environment. Each fixture delivers industry-leading photometry through the company's molded silicone optical system and integral back light control. Our silicone optics do not deteriorate with age or discolor with UV and temperature exposure, and they are significantly more impact resistant as compared to thermoplastics and glass. If you are looking for long-term performance with superior thermal management and ingress protection for unmatched reliability, then our Mirada area lights are the perfect solution for you.

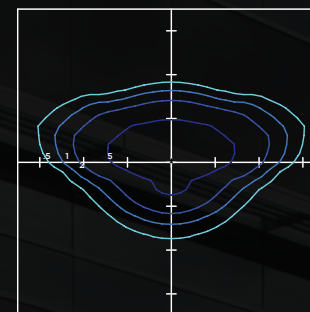
Mirada Large (MRL)
40,000 - 78,000 Lumens
Ideal for 25 - 40' Mounting Height

Mirada Medium (MRM)
7,000 - 48,000 Lumens
Ideal for 20 - 30' Mounting Height

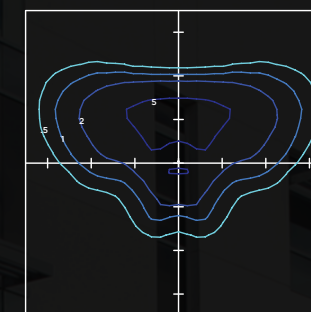
Mirada Small (MRS)
6,000 - 24,000 Lumens
Ideal for 15 - 25' Mounting Height



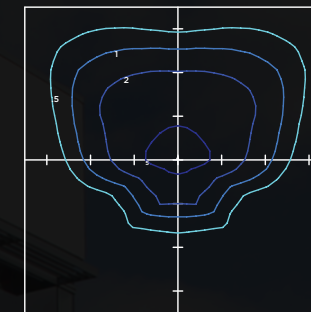
TYPE 2



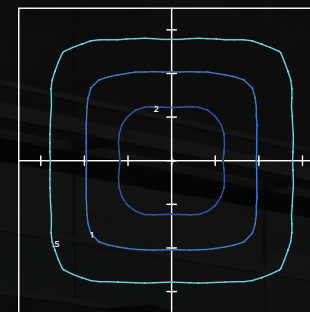
TYPE 3



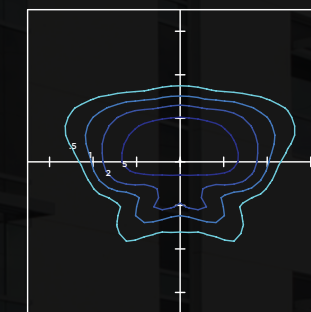
TYPE FT



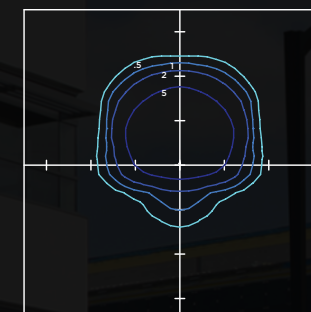
TYPE 5W



TYPE FTA



TYPE AM



WHY SILICONE OPTICS?

- Designed specifically for parking lot applications
- Proprietary silicone refractor optics provide superior light coverage and uniformity
- State-of-the-Art one-piece silicone optic sheet delivers industry leading optical control with an integrated gasket to provide IP66 rating
- Shatterproof optic
- Outperforms acrylic and polycarbonate lenses in the toughest conditions



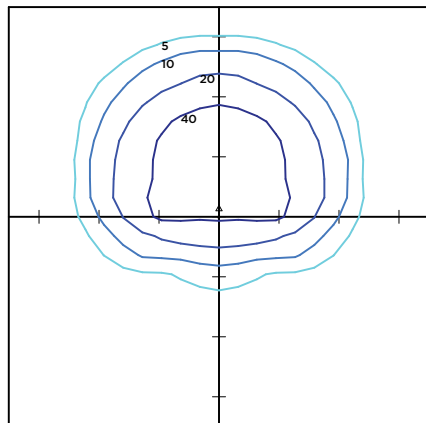
SUPERIOR CONTROL

LSI's Mirada area lights offer a complete selection of shielding options to meet your spill light and glare reduction needs. Two integral backlight control shields give you flexibility depending on site requirements. Both options rotate with the optical distribution and can be factory specified or shipped as an accessory for field installation. Custom fabricated external shields are also available.



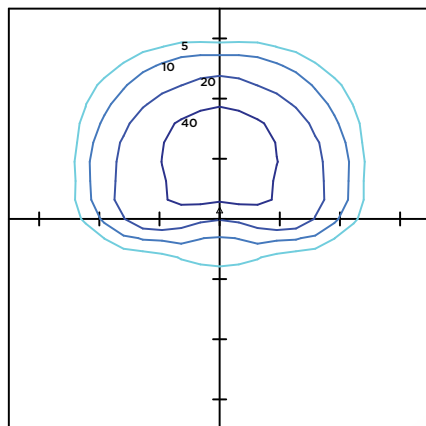
STANDARD OPTICS

- 20-25% Backlight
- Maximum Output



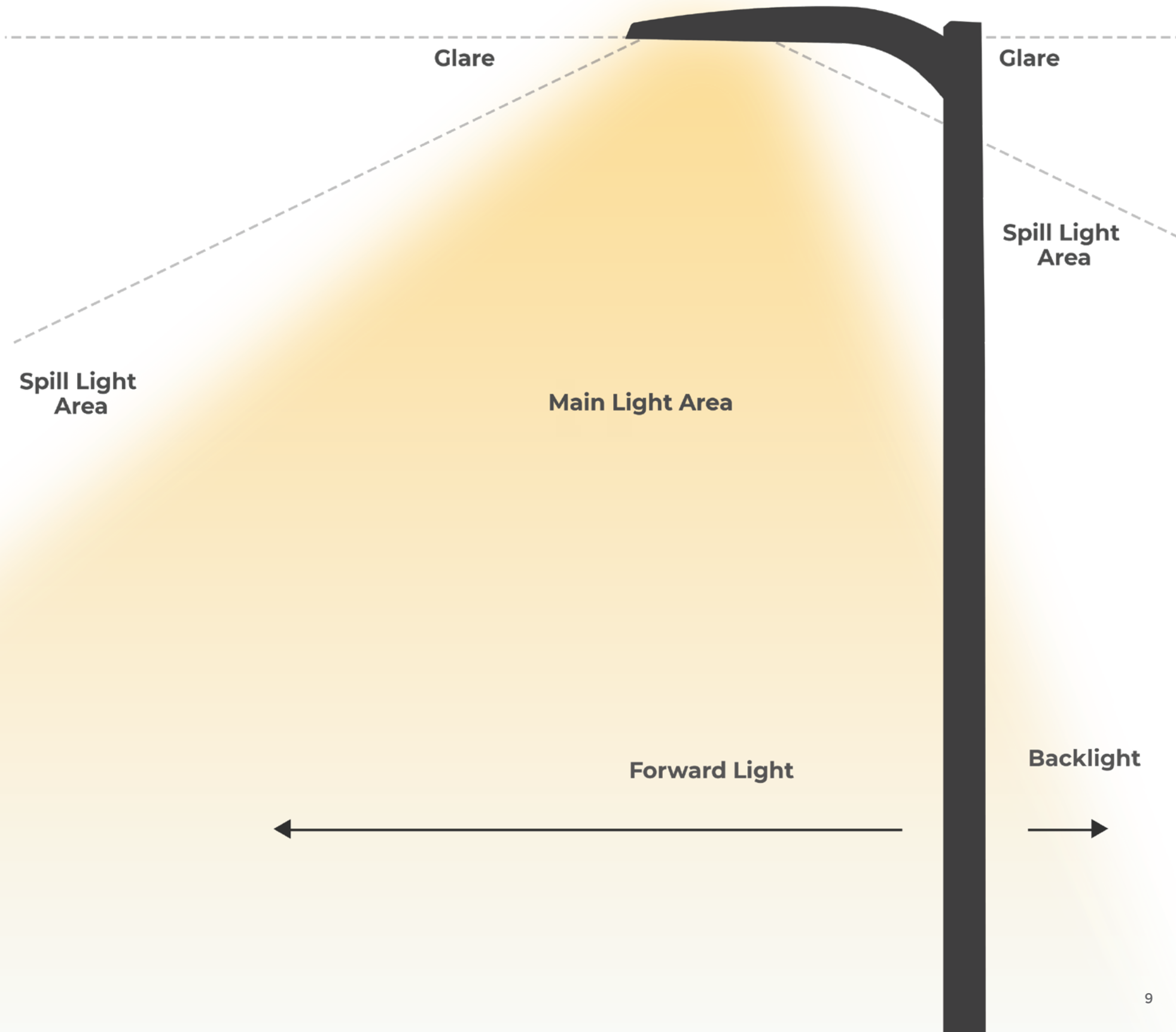
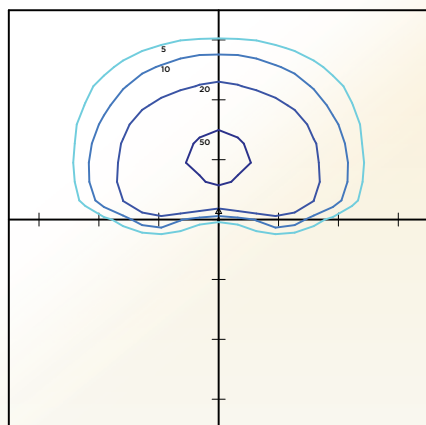
IH SHIELD

- 8-15% Backlight
- Significant reduction in backlight with minimal impact on main distribution



IL SHIELD

- 2-4% Backlight
- Maximum reduction in backlight with moderate impact on main distribution



WALL LIGHTING

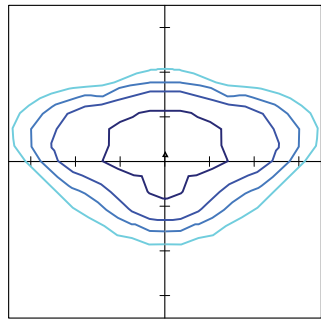


Medium Wall Sconce (XWM)

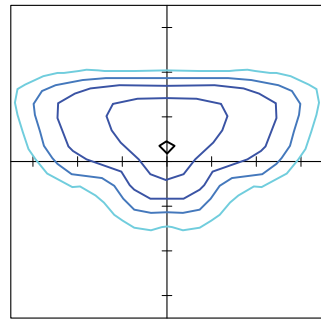
3,000 - 12,000 Lumens
Ideal for 10 - 25' Mounting Height

The Mirada Medium wall sconce is a sleek, feature rich solution for perimeter lighting that will compliment any building exterior while bringing a consistent aesthetic to your site. High performance silicone optics provide best-in-class performance for maximum uniformity and distribution that can cover large areas - often reducing the need for pole mounted luminaires and flood lights.

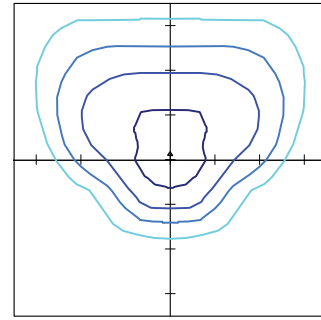
TYPE 2



TYPE 3



TYPE FT



Silicone



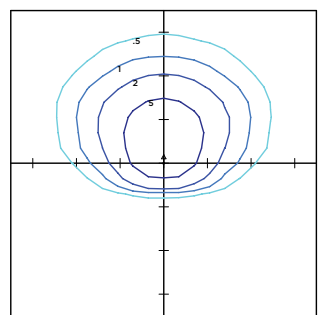
Acrylic/Polycarb

Small Wall Sconce (XWS)

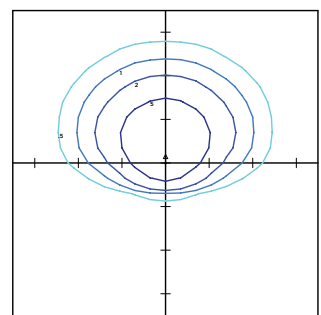
2,000 - 8,000 Lumens
Ideal for 8 - 20' Mounting Height

The Mirada Small wall sconce delivers ideal illumination for a wide variety of wall mount applications. Choose between our precision silicone optics for maximum photometric performance or large aperture acrylic/polycarbonate lenses for increased visual comfort. Our silicone and polycarbonate lenses are also impact rated and available with tamper proof hardware for high abuse/vandal applications.

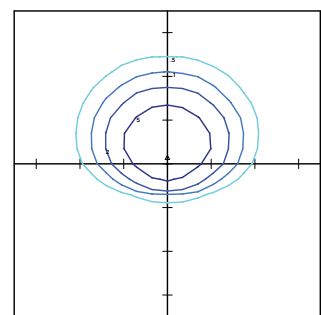
TYPE FTW



TYPE MT



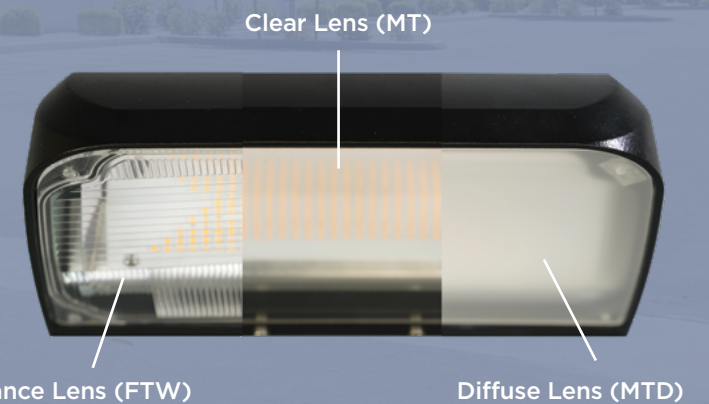
TYPE MTD



VISUAL COMFORT & PERFORMANCE

The Mirada Small Wall Sconce offers four lens options for optimal visual comfort and performance.

- Clear Lens - Maximum output & energy efficiency
- Performance Lens - Improved photometric performance without sacrificing visual comfort
- Diffuse Lens - Maximum visual comfort
- Silicone Lens - Maximum photometric performance and light distribution



EMERGENCY PATH OF EGRESS

Optional Integral battery backup provides 90-minutes of constant power to the LED system, ensuring code compliance. A test switch/indicator button is installed on the housing for ease of maintenance. The fixture delivers 1200-1500 lumens during emergency mode.

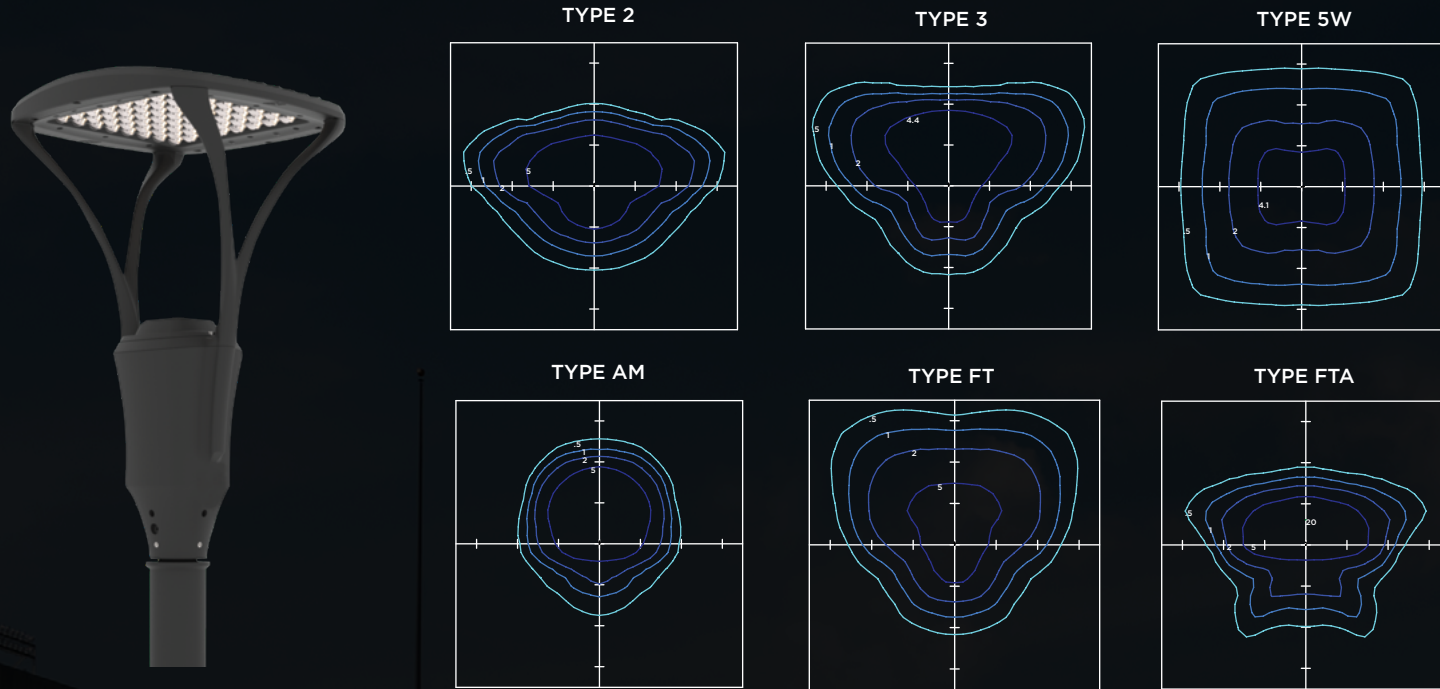
POST TOP & BOLLARD

POST TOP

Pedestrian Scale: 10,000 – 25,000 lumens. Ideal for 10 - 25' Mounting Height

High Output: 35,000 - 78,000 lumens. Ideal for 25 - 40' Mounting Height

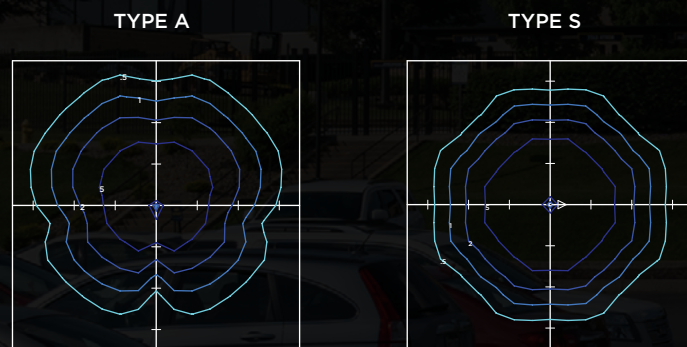
Our Mirada Post Top luminaires interweave modern, urban aesthetics with exceptional performance that scales well at almost any mounting height. Just like our Mirada area lights, this product features industry-leading photometry through the company's molded silicone optical system and integral back light control.



BOLLARD

Pedestrian Scale: 2,000 - 3,000 Lumens, 26" - 62" Height

The Mirada Bollard is an ideal solution for low-level lighting applications such as entryways, pathways and sidewalks. Designed with a diecast housing, as well as a robust shaft and base, this product provides durability against the harshest weather conditions. In addition, the Mirada Bollard's universal mounting base makes installation quick and easy – something that every contractor appreciates.



HIGH PERFORMANCE OUTDOOR LIGHTING

The Mirada Family of luminaires are truly best in class lighting solutions. They are easy to service and install, robustly designed to stand up in tough outdoor environments and feature well integrated controls that are simple to specify and use.

INSTALLATION

- Universal Brackets for Retrofit Projects
- Quick-Mount for True One-Person Install
- Terminal Block for Faster Connections
- Easy Electrical Access

ELECTRICAL

- Programmable Drivers
- Custom Lumen Output Capable
- 10kV Surge Protection Device Standard
- Input Power Stays Constant Over Life

THERMALS & LED MATRIX

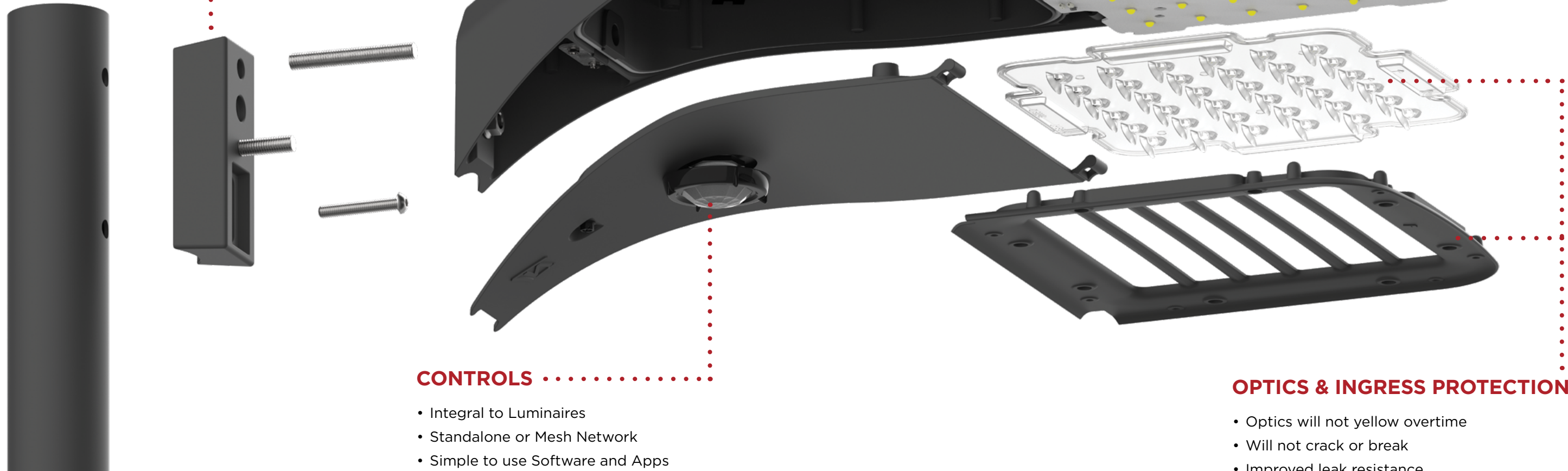
- Thermally Optimized Heatsink
- Robust Diecast Construction
- High Efficacy LEDs
- Metal-Core Circuit Board

CONTROLS

- Integral to Luminaires
- Standalone or Mesh Network
- Simple to use Software and Apps
- Pre-Commissioned Solutions Available

OPTICS & INGRESS PROTECTION

- Optics will not yellow overtime
- Will not crack or break
- Improved leak resistance
- Does not effect spectral radiosity of LEDs
- Low system complexity with optic/gasket and die cast lens frame



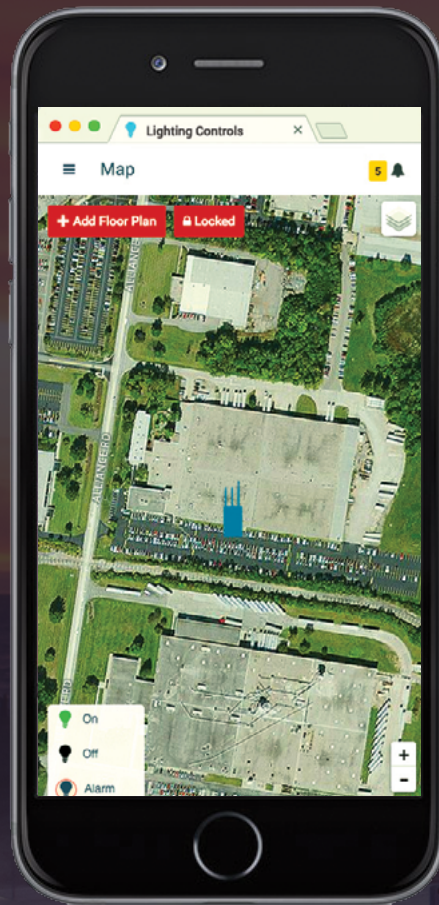
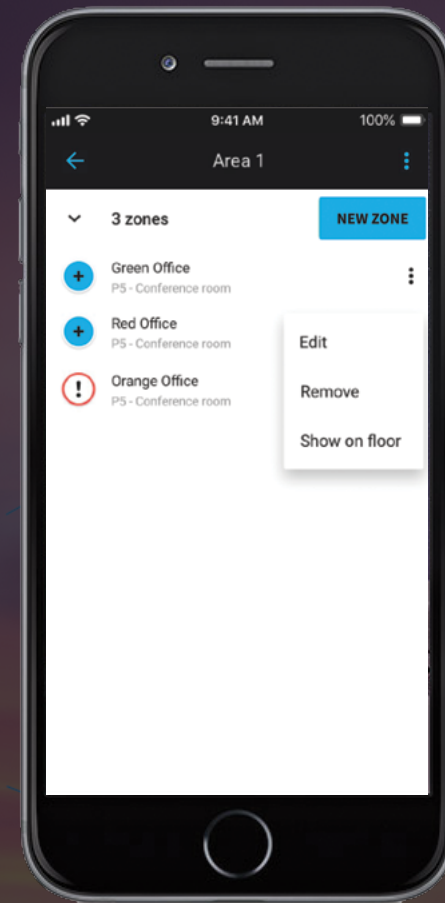
AirLink™ Blue

All of our Mirada luminaires are compatible with our AirLink Blue wireless lighting control system. This simple, highly-configurable product uses Bluetooth mesh technology to manage designated zones of illumination – helping to enhance safety, reduce energy costs and comply with applicable regulations. Miradas configured with AirLink Blue are available pre-commissioned from the factory – making them easy to specify and install at the job site. Importantly, the AirLink Blue system can also be programmed and managed using an intuitive app for mobile devices or an office computer with an internet connection.

[LEARN MORE ABOUT THIS SIMPLE TO USE SOFTWARE](#)



AirLink Blue
iOS Only App



AirLink Site Manager
Lighting Control Web App



The AirLink Outdoor product line is the perfect solution for commercial, industrial and municipal applications, such as: auto dealerships, parking lots, garages, shopping complexes and warehouses where robust wireless communication is required.

AirLink Outdoor utilizes a 2.4 GHz Self-Healing Mesh Network. The flexibility and scalability of the system make it perfect for both new construction and retrofit projects. The user-friendly AirLink Outdoor web application is accessible through any device with an internet connection and allows for complete customization of the system and its features.

[LEARN MORE ABOUT THIS SIMPLE TO USE SOFTWARE](#)

AirLink Blue





IT'S ALL IN THE DETAILS

AREA LUMINAIRE MOUNTING ACCESSORIES

Adjustable Slipfitter



Rugged die cast aluminum adapter to mount LSI luminaires onto a 2 3/8" O.D. tenon. The Adjustable Slip Fitter can be rotated 180° allowing for tilting LSI luminaires up to 45 degrees.

Pole Quick Mount



Allows for lightning fast installation of LSI luminaires onto existing and new construction poles. Available in horizontal and 15° version.

Wall Mount Bracket



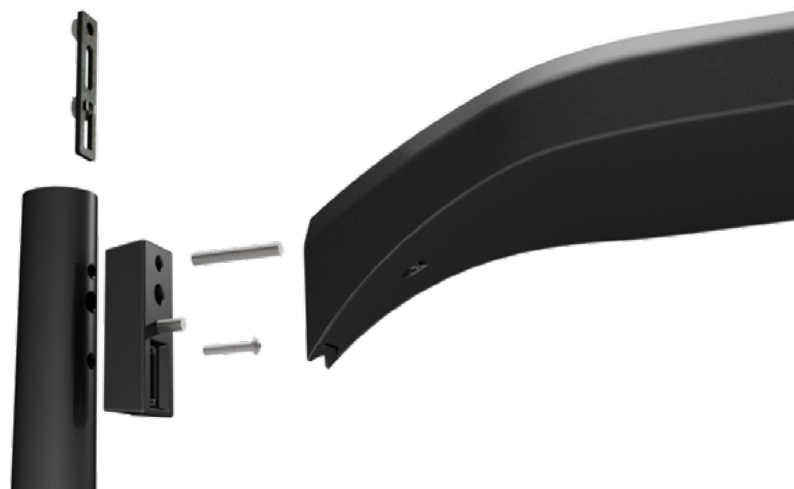
Rugged steel construction and thick neoprene wall gasket allows for seamless integrating of LSI Area Lights onto vertical wall surfaces.

Horizontal Slip Fitter

An aesthetically pleasing 3G rated die cast aluminum adapter designed specifically to mount onto a 2" IP, 2.375" O.D. tenon. Allows for leveling via integrated steps to adjust the luminaire +/-3°. MRM and MRS only.

Universal Pole Mount

Die cast aluminum bracket and thick gauge steel pole plate with adjustable nut for bolt spacing of 3.5 - 5". Ideal for retrofitting existing square or round (tapered/straight) poles.



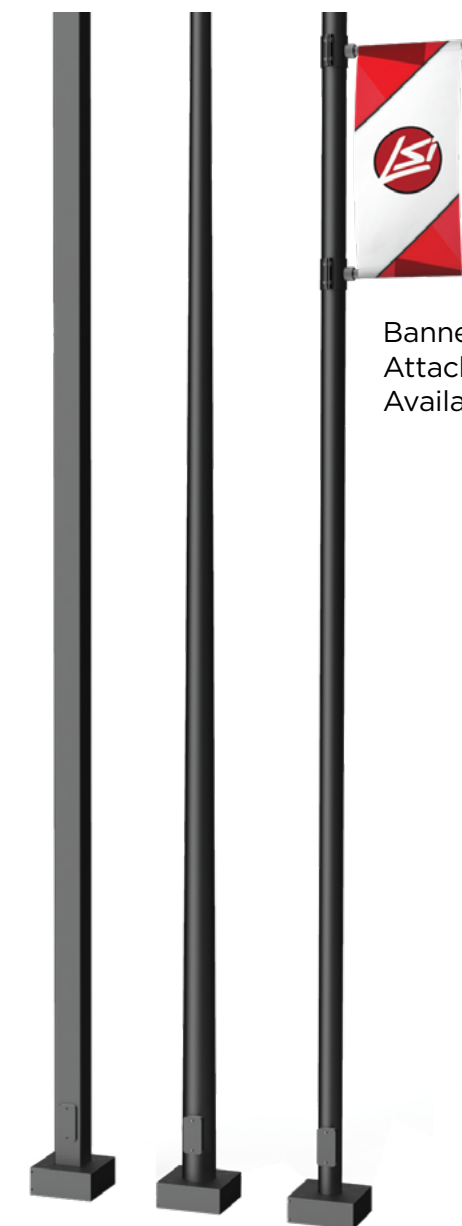
POLES

LSI offers a full line of aluminum and steel poles in both square and round shafts. In addition, LSI offers round tapered, fluted and hinge based poles.

LSI Pole Bases are available with custom hand hole sizes and provide simple installation to new and existing surfaces. Decorative base options are also available.

LSI's DuraGrip® Plus technology provides an inner-coating of water-based automotive-grade corrosion preventive which outlasts other pole finishes. DuraGrip Plus poles retain their finishes while the others show evidence of severe peeling, oxidation and rusting.

Square 14' - 39'
Round Tapered 20' - 39'
Round 10' - 39'



Banner Arms Attachment Available



Poles After 1,000 hours of Salt Spray Test

FINISH OPTIONS



Learn more at www.lsicorp.com

