



Wide Enclosed & Gasketed (EGW)

Wet Location Linear LED Fixture



| OVERVIEW | |
|-----------------------|---------------------------------------|
| Lumen Package (lm) | 10,000 - 27,000 |
| Color Temperature (K) | 4000, 5000 |
| Wattage Range (W) | 70 - 191 |
| Efficacy Range (LPW) | 131 - 148 |
| Weight lbs (kg) | 2 ft. - 13 (5.9) 4 ft. - 24 (10.9) |

QUICK LINKS

FEATURES & SPECIFICATIONS

Construction

- Fiberglass reinforced plastic housing with internal closed-cell polyurethane structure gasketing
- Polymeric housing provides IP65/IP66/IP67 ingress protection and superior chemical resistance
- Inner gear tray constructed of code gauge steel with a finish coating of high reflectance polyester powder (min. 92%)
- High pressure hose down (1500 PSI)
- NEMA 4x rated
- Hinged gear tray for easy driver access
- Optical System
- Injection molded acrylic lens with high impact additive
- Smooth lens is available in diffuse and clear
- Minimum CRI of 80

Electrical

- High-performance driver features overvoltage, under-voltage, short-circuit and over temperature protection. Custom lumen and wattage packages available. Standard Universal Voltage (120-277 VAC) Input 50/60 Hz or optional 347V.

- Total harmonic distortion (THD): <20%
- Operating temperature: -35°C to +45°C (-31°F to +113°F)
- Power factor (PF): >.95
- Driver module is sealed to IP65, IP66, and IP67 standards with a Class A sound rating and 0-10V dimming (10%-100%) standard
- 0-10V dimming (10%-100%) standard
- Standard Universal Voltage (120-277 Vac) Input 50/60 or optional High Voltage (347- 480V)
- L70 Calculated Life: >200K hours

Controls

- Controls Options include:
 - Simple Sensor PIR end mount motion sensor available (OMSWL)
 - Airlink Blue integral controller (ALBC) or integral controller with microwave sensor (ALBCMWS).

Installation

- 2 standard stainless steel mounting brackets are furnished with each fixture
- Optional stainless steel V bracket or surface bracket accessory available

Warranty

- LSI luminaires carry a 5-year limited warranty. Refer to <https://www.lsicorp.com/resources/terms-conditions-warranty/> for more information.

Listings

- Suitable for wet locations
 - Unit is IP65, IP66, and IP67 rated
- NEMA 4x rated enclosure
- NSF rated (Splash Zone 2)
- Listed to UL 1598 and UL 8750.
- Meets Buy American Act requirements.
- Title 24 Compliant; see local ordinance for qualification information.
- DesignLights Consortium® (DLC) Premium qualified product. Not all versions of this product may be DLC Premium qualified. Please check the DLC Qualified Products List at www.designlights.org/QPL to confirm which versions are qualified.

Wide Enclosed & Gasketed (EGW)

Type : _____

 **Have questions?** Call us at (800) 436-7800

ORDERING GUIDE

| TYPICAL ORDER EXAMPLE: EGW 2 LED 14L DA S UNV DIM 40 80 | | | | | | |
|---|--------------------------|-----------------|--|--|---|--|
| Prefix | Fixture Length | Light Source | Lumen Package | Lens Type | Distribution | Voltage |
| EGW - Wide Wet Location LED | 2 - 2 ft. 4 - 4 ft. | LED | 10L - 10,000 ¹ 14L - 14,000 17L - 17,000 27L - 27,000 ² Custom Lumen ³ | DA - Diffuse Acrylic CA - Clear Acrylic | S - Symmetric | UNV - Universal Voltage (120-277V) HV - High Voltage (347-480V) |
| Dimming | Color Temperature | Color Rendering | Controls | Options | Mounting / Wiring | |
| DIM - Dims to 10% (0-10V dimming) | 40 - 4000K 50 - 5000K | 80 - 80 CRI | OCSWL - Wet Location Occupancy Sensor ALBCMWS - Airlink Blue integrated microwave motion sensor (see photo in dimensions section) | EM - 1,400 Emergency Backup | Standard - Mounting clips and bails included E6C - 6 ft. black cord, no plug (V hook hangers included) | |



Need more information?
[Click here for our glossary](#)

Have additional questions?
Call us at (800) 436-7800



ACCESSORY ORDERING INFORMATION

| Part Number | Order Number | Description |
|-------------|--------------|--|
| 310967 | LCH10 | 10 ft. Loop Cable Hanging Set (Qty. 2) |
| 357201 | LCH20 | 20 ft. Loop Cable Hanging Set (Qty. 2) |

PERFORMANCE

| Delivered Lumens ⁴ | | | | | | | |
|-------------------------------|---------------|--------------|------------------|----------|------------------|----------|---------|
| Fixture Length | Lumen Package | Distribution | 4000K | | 5000K | | Wattage |
| | | | Delivered Lumens | Efficacy | Delivered Lumens | Efficacy | |
| 2 | 10L | S | 10,482 | 150 | 10,482 | 150 | 79 |
| | 14L | | 13,705 | 144 | 13,705 | 144 | 94 |
| | 17L | | 17,098 | 132 | 17,098 | 132 | 129 |
| 4 | 14L | S | 14,269 | 150 | 14,269 | 150 | 104 |
| | 17L | | 18,129 | 139 | 18,129 | 139 | 130 |
| | 27L | | 27,753 | 145 | 27,753 | 145 | 191 |

¹ Available in 2 ft. only.

² Available in 4 ft. only.

³ Custom lumen and wattages available, consult factory. Values are within industry standard tolerances and not DLC listed.

⁴ LEDs are frequently updated therefore values are nominal.



Wide Enclosed & Gasketed (EGW)

Type: _____

 Have questions? Call us at (800) 436-7800

PHOTOMETRICS

Luminaire photometry has been conducted by a NVLAP accredited testing laboratory in accordance with IESNA LM-79-08. As specified by IESNA LM-79-08 the entire luminaire is tested as the source resulting in a luminaire efficiency of 100%.

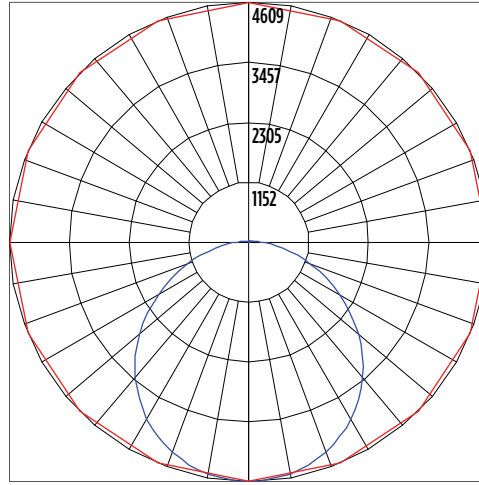
See the individual product page on <https://www.lsicorp.com/> for detailed photometric data.


EGW-2-DA-14L

| Luminaire Data | |
|-------------------|---------------------|
| Wide Distribution | |
| Description | 4000 Kelvin, 80 CRI |
| Delivered Lumens | 13,569 |
| Watts | 95 |
| Efficacy | 143 |

| Zonal Lumen Summary | | |
|---------------------|---------------|-------------|
| Zone | Lumens | % Luminaire |
| Low (0-30°) | 3,599 | 27% |
| Medium (30-60°) | 6,743 | 50% |
| High (60-80°) | 2,523 | 19% |
| Very High (80-90°) | 417 | 3% |
| Uplight (90-180°) | 286 | 2% |
| Total Flux | 13,569 | 100% |

Polar Curve



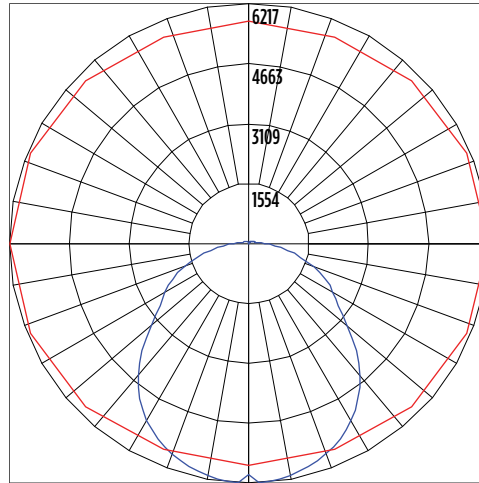
 Vertical Plane  Horizontal Cone


EGW-4-DA-17L

| Luminaire Data | |
|-------------------|---------------------|
| Wide Distribution | |
| Description | 4000 Kelvin, 80 CRI |
| Delivered Lumens | 17,950 |
| Watts | 130 |
| Efficacy | 138 |

| Zonal Lumen Summary | | |
|---------------------|---------------|-------------|
| Zone | Lumens | % Luminaire |
| Low (0-30°) | 4,736 | 26% |
| Medium (30-60°) | 8,802 | 49% |
| High (60-80°) | 3,244 | 18% |
| Very High (80-90°) | 586 | 3% |
| Uplight (90-180°) | 579 | 3% |
| Total Flux | 17,950 | 100% |

Polar Curve



 Vertical Plane  Horizontal Cone

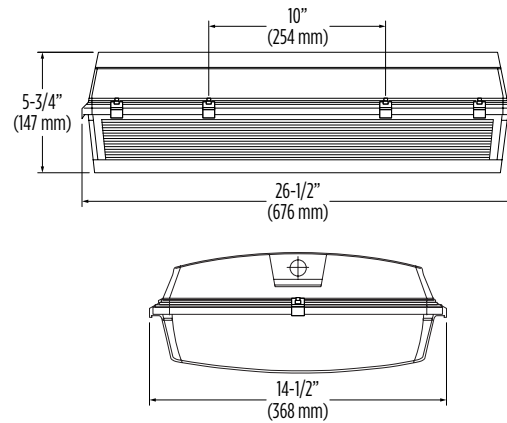
Wide Enclosed & Gasketed (EGW)

Type: _____

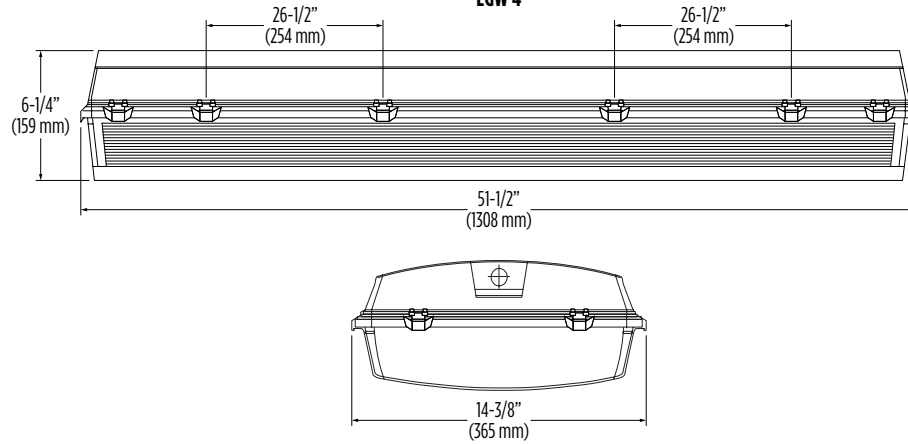
 Have questions? Call us at (800) 436-7800

PRODUCT DIMENSIONS

EGW 2



EGW 4



ALBCMWS sensor installed in housing



Wide Enclosed & Gasketed (EGW)

Type : _____

 **Have questions?** Call us at (800) 436-7800

CONTROLS

Integral Bluetooth™ Motion and Photocell Sensor (IMSBTxL)

Slim low profile sensor provides multi-level control based on motion and/or daylight. Sensor controls 0-10 VDC LED drivers and is IP66 rated for cold and wet locations (-40°F to 167°F). Two unique PIR lenses are available and used based on fixture mounting height. All control parameters are adjustable via an iOS or Android App capable of storing and transmitting sensor profiles.

[Click here to learn more details about IMSBT](#)



LEVITON App



Apple



Android

AirLink Blue (ALBCSx)

Wireless Bluetooth Mesh Outdoor Lighting Control System that provides energy savings, code compliance and enhanced safety/security for parking lots and parking garages. Three key components; Bluetooth wireless radio/sensor controller, Time Keeper and an iOS App. Capable of grouping multiple fixtures and sensors as well as scheduling time-based events by zone. Radio/Sensor Controller is factory integrated into Area/Site, Wall Mounted, Parking Garage and Canopy luminaires.

[Click here to learn more details about AirLink Blue](#)



AirLink Blue App



Apple

Sensor Sequence of Operations

| Standard Programming | On Event | Off Event | On Light Level | Dim Light Level | Daylight Harvesting | Delay To Off | Sensitivity |
|----------------------|----------|-----------|----------------|-----------------|----------------------|--------------|-------------|
| OMSBTxL/IMSBTxL | Motion | No Motion | 100% | N/A | On; Auto Calibration | 20 minutes | High |
| OMS | Motion | No Motion | N/A | N/A | N/A | 30 seconds | Auto |

| Operation | Description |
|------------------------|--|
| On Event | Trigger that activates lights to turn on; either automatic via motion detected or manually activated via push of button. |
| Off Event | Trigger that activates lights to turn off; either automatic via no motion detected or manually activated via push of button. |
| On Light Level | The light level that the fixtures will turn on to when ON EVENT occurs. |
| Dim Light Level | The light level that the fixtures will dim down to when no motion is detected. |
| Delay to Dim | The amount of time after which no motion is detected that the fixtures will be triggered to dim down. This sequence is optional, and sensor can be programmed to only trigger the fixture to turn off by entering 100% in this field. |
| Delay to Off | The amount of time after which no motion is detected that the fixtures will be triggered to turn off. If delay to dim is part of the programmed functionality, this is the amount of time after which no motion is detected after the fixture have already dimmed down. |
| Sensitivity | The sensitivity can be set to high, medium, low, or auto where applicable. High will detect smaller, simple motions. Low will only detect larger more complex motions. Auto temperature calibration adjusts the PIR sensitivity as ambient temperature rises to increase detection of heat movement through the field of view. |