

ADVANTAGE-SERIES (AW)

BEFORE YOU BEGIN

Read and follow all safety instructions

WARNING

RISK OF FIRE, EXPLOSION AND ELECTRIC SHOCK

This product should be installed, inspected, and maintained by a qualified electrician only, in accordance with the NEC (National Electric Code) and all local codes.

Turn off electrical power before inspection, installation or removal.

Use only UL (or other NRTL) approved wire for input/output connections.

Minimum size 18 AWG or 14 AWG for continuous runs.

Make sure LEDs and drivers are cool to touch when performing maintenance.

Make sure the supply voltage is the same as the rated voltage of the luminaire.

Do not install in a hazardous atmosphere, except where the ambient temperature does not exceed the rated operating temperature of the fixture.

Keep tightly closed when in operation



Prepare Electrical Wiring

Electrical Requirements

The LED driver must be supplied with the voltage specified on the product label and connected to an individual, properly grounded branch circuit protected by a 20 Ampere circuit breaker. Use min. 75°C supply.



Grounding Instructions

The grounding and bonding of the overall system shall be done in accordance with NEC Article 600 and local codes



ADVANTAGE-SERIES (AW)

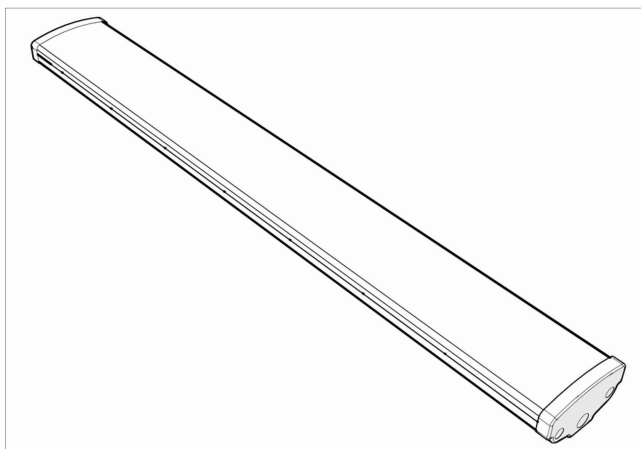
Before starting:

- Ensure that the supply power is shut off.
- Unpack the fixture and ensure that there are no damaged or missing parts

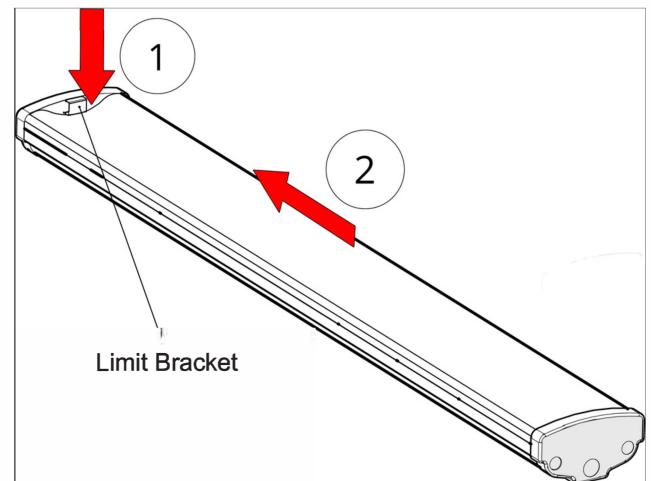
Tools Required:

- #2 Phillips Screw Driver
- Adjustable Wrench
- Wire Strippers
- Wire Cutters
- Power Drill with Assorted Bits

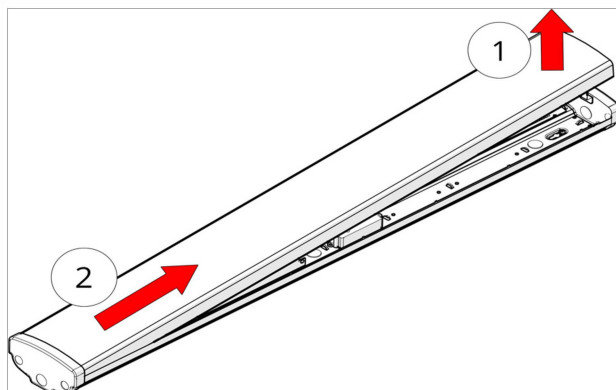
Standard Installation



Step 1: Set the fixture on a flat surface.

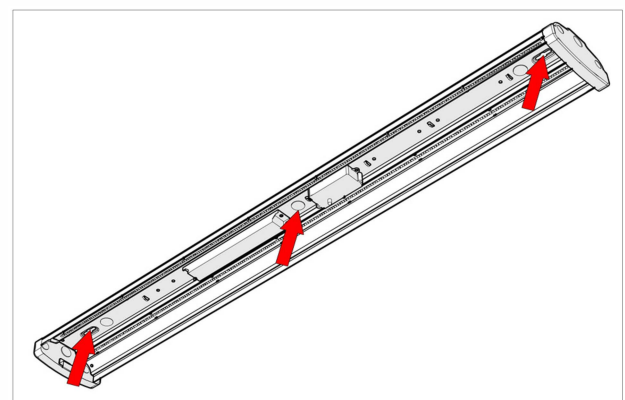


Step 2: Gently press down on one side of the lens approximately 1" to reveal a limit bracket. Slide the lens toward the end being pressed. This will allow the opposite end to become free and lift out.



Step 3: Lift the opposite end of the lens and slide the lens out of the fixture. Set the lens aside.

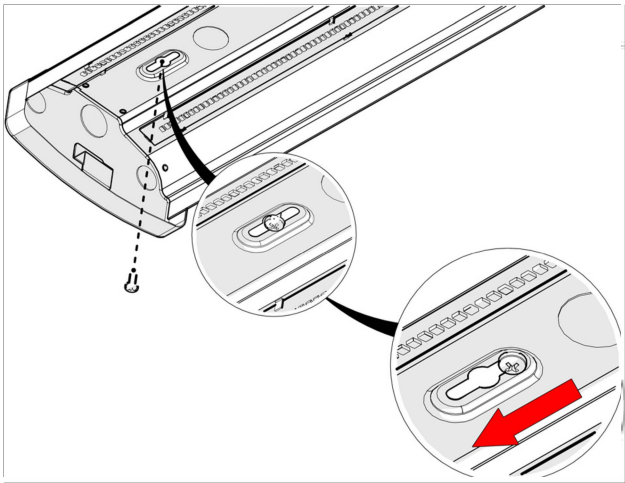
Refer to Page 7 for pendant mounting.



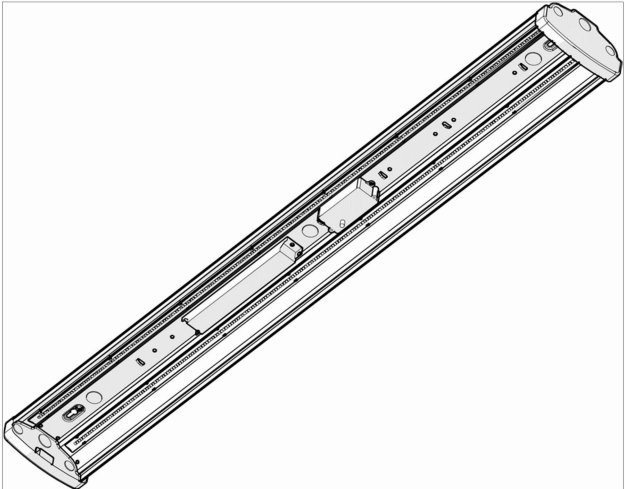
Step 4: Position the fixture in the desired location and mark the center of the keyholes. Remove the appropriate knockout from the fixture.



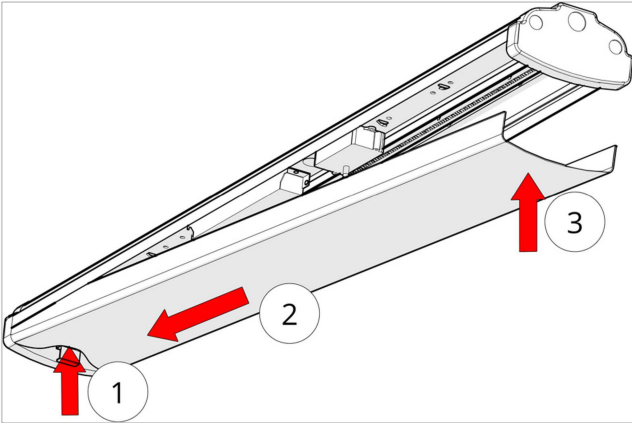
ADVANTAGE-SERIES (AW)



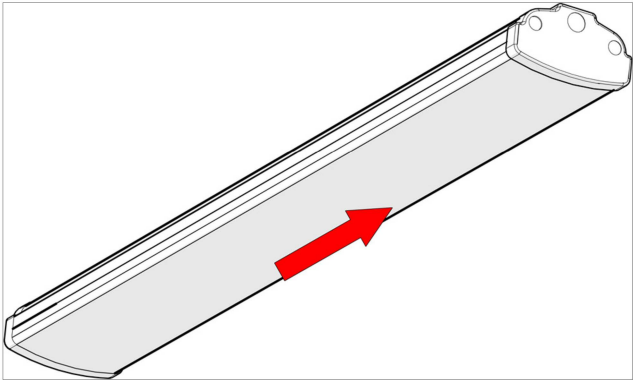
Step 5: Install the mounting hardware in the marked positions, leaving them slightly untightened. Align the keyholes in the fixture with the hardware in the ceiling and slide the fixture until the screws slide into the narrow ends of the keyholes. Tighten the hardware.



Step 6: Pull the supply wires into the fixture and wire according to the appropriate wiring diagram on Pages 4 and 5. Follow the appropriate diagram if installing the sensor or EM version.



Step 7: Replace the lens by inserting one end of the lens into the end cap with the limit bracket. Press down slightly to keep the top of the lens under the bracket. Fit the opposite end of the lens into the fixture.



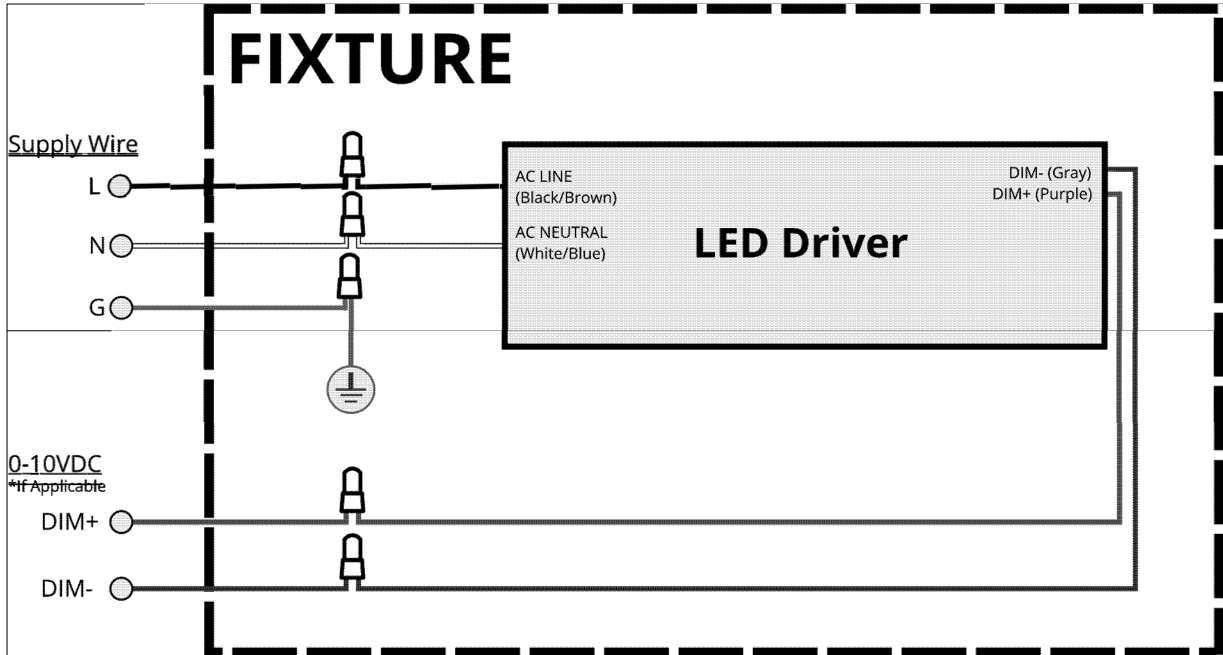
Step 8: Once the lens is fully fitted in the fixture housing, slide the lens towards the opposite end cap to lock the lens in place. Restore power** and check that the fixture is functioning properly.

**WARNING: If installing the EM version, restore power to the unswitched line first and then the switched line

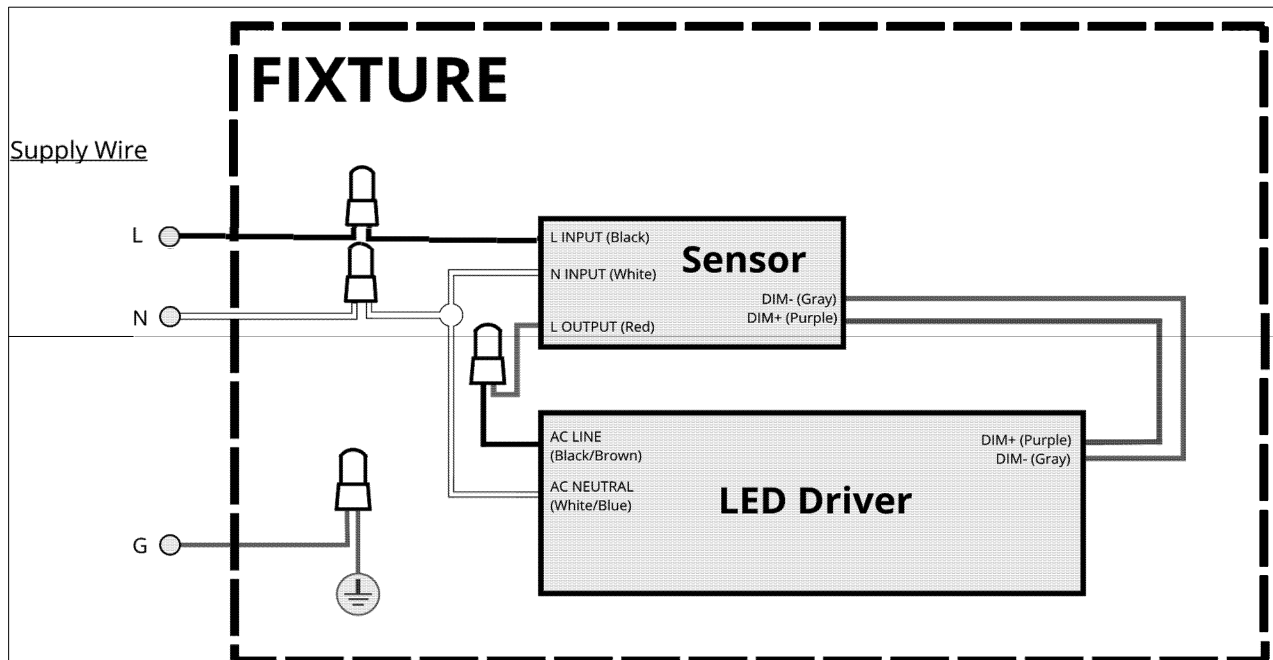


ADVANTAGE-SERIES (AW)

Electrical Wiring Diagram

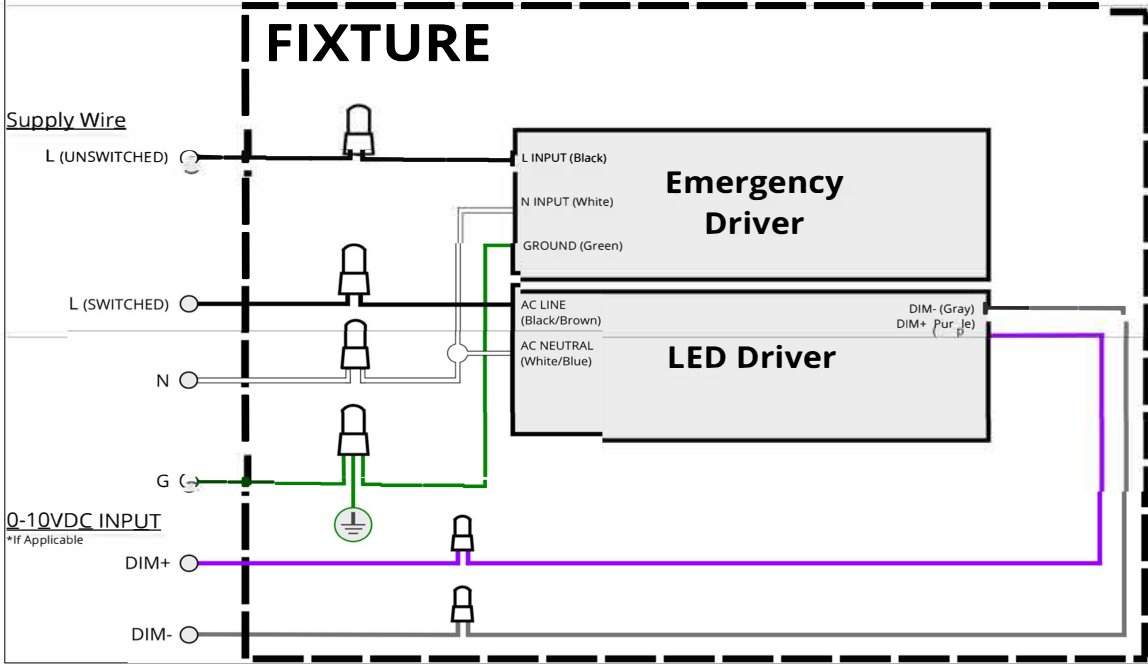


Electrical Wiring Diagram with Sensor



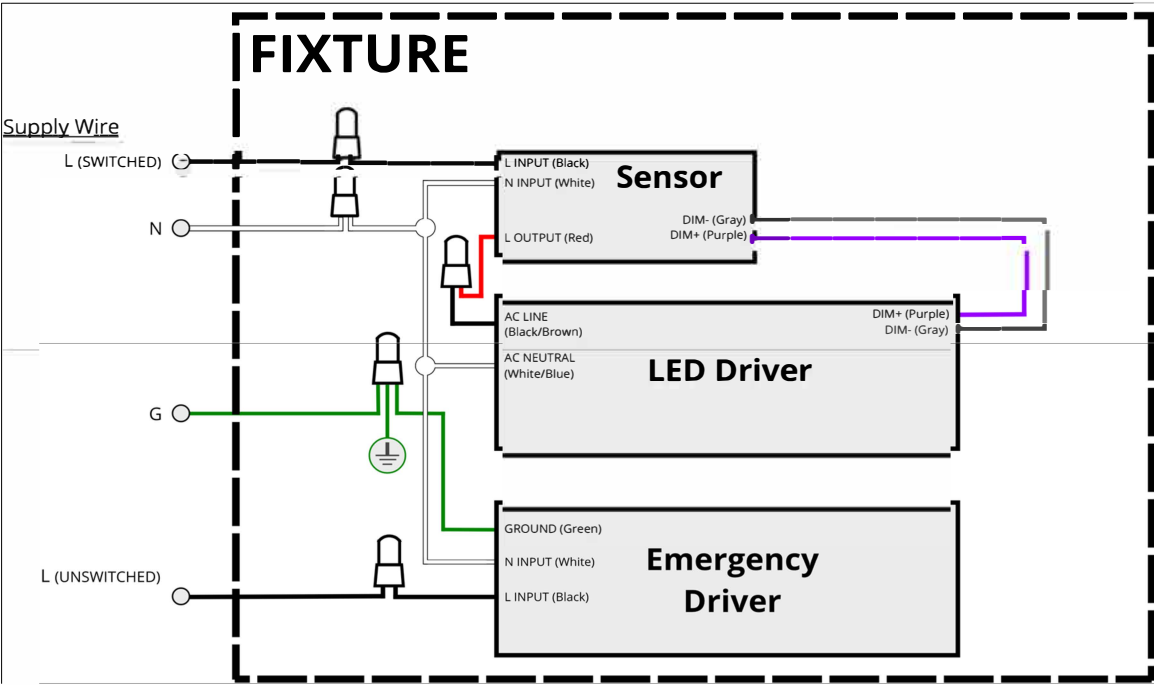
ADVANTAGE-SERIES (AW)

Electrical Wiring Diagram with EM Backup



****WARNING:** Do not supply AC power to the switched line until AC power is supplied to the unswitched line.

Electrical Wiring Diagram with Sensor and EM Backup



****WARNING:** Do not supply AC power to the switched line until AC power is supplied to the unswitched line.



ADVANTAGE-SERIES (AW)







Additional Notes

EM Test Button Status Light Indicator

1. Charging – red light turned on
2. When EM is on – red light is turned off
3. When EM is damaged – red light is off/ red light is flashing/ the fixture is flashing
4. When pressing the test button – red light is turned off

Tunable Settings

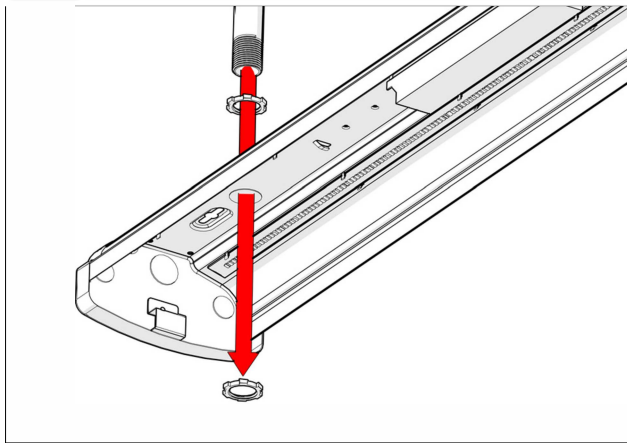
For Wattage and CCT tuning, adjust each three (3) position slide switch for desired setting:

| LED DRIVER WATTAGE SELECTOR | | |
|--|--|---|
| SWITCH POSITION | | |
| HI  | MED.  | LOW.  |
| 42W | 31W | 20W |
| LED DRIVER CCT SELECTOR | | |
| SWITCH POSITION | | |
|  |  |  |
| 5000K | 4000K | 3000K |



ADVANTAGE-SERIES (AW)

Pendant Mounting



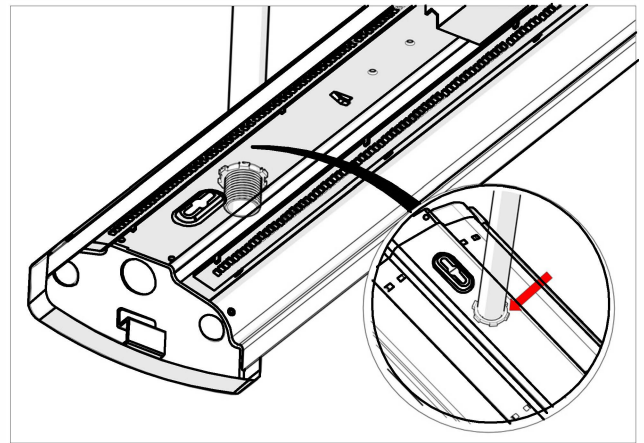
Step 4b: Remove the appropriate knockouts from the fixture. With help from another person, fit the 1/2" conduit* through the knockouts.

NOTE: Knockout spacing is approximately 19.21" or 19-13/64" on center (488mm).

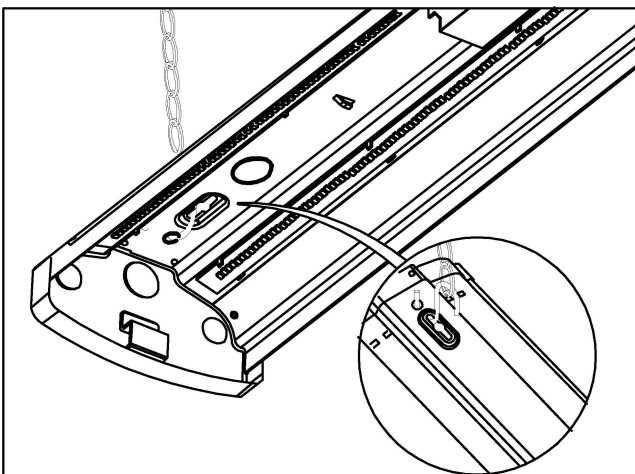
*IMPORTANT: Use two conduit locknuts per conduit (top and bottom)

**Center knockout can be used for wiring to ceiling j-box.

***.875" Knock outs at ends can be used for side entry conduit.



Step 5b: Secure fixture to the conduit using 1/2" locknuts.**



Step 6b: Slide "S" hook into key hole detail and through adjacent hole as shown at each end of fixture.

Use same hole for ball & toggle type air craft cable fitting

