



# Aureus High Bay (AUL)

## Round LED Luminaire



### OVERVIEW

Lumen Package (lm)	8,000 - 30,000
Wattage Range (W)	56 - 147
Efficacy Range (LPW)	122 - 153
Weight lbs (kg)	17.5 (7.9)

### QUICK LINKS

## FEATURES & SPECIFICATIONS

### Construction

- Rigid housing is die-formed thick gauge steel and aluminum
- All metal parts are painted after fabrication following treatment with phosphate rust inhibitor. Finish coating of housing reflecting surfaces is with high-reflectance (minimum 92%) polyester powder.
- Available in white, black or silver. For other colors please consult factory
- Quick wire access panel allows for easy power connections
- Manufactured in the USA

### Optical System

- Available standard with 16" prismatic clear, diffuse, or white acrylic refractor and open, flat glass, conical lens or wire guard attachments
- Optional to substitute refractor with 22" available in prismatic clear, diffuse, or white acrylic refractor with open bottom
- Minimum CRI of 80.

### Electrical

- Standard Universal Voltage (120-277 VAC) Input 50/60Hz or optional High Voltage (347-480 VAC)

- L70 Calculated Life: 100,000+ hours
- Driver is constant current, Class 2, 120-277 Vac, 50/60Hz
- High Efficiency Driver: minimum 85%
- 0-10V dimming (1%-100%) standard driver
- Optional 120V-277V integral emergency battery pack is available to meet critical life safety lighting requirements. The 90-minute batteries provide constant power to the LED system, ensuring code compliance. A test switch/indicator button is installed on the housing for ease of maintenance.
- Emergency Backup Drive is available with 10W or 20W output
- Operating temperature -20C up to +55C (-4F up to +131F) see ambient temperature table for details
- Field replaceable 10kV surge protection device meets a minimum Category C Low operation (per ANSI/IEEE C62.41.2).

### Controls

- Optional center mount passive infrared sensor with bluetooth app available
- LSI's AirLink™ Synapse wireless control system options reduce energy and maintenance costs. To order select ALSC or ALSCS (see ordering guide) as the controls option.

### Installation

- Standard method to mount directly to a 4" square or octagonal junction box or available for pendant mount with 3/4" pipe fitting
- Optional hook for chain or cable mount available

### Warranty

- LSI luminaires carry a 5-year limited warranty. Refer to <https://www.lsicorp.com/resources/terms-conditions-warranty/> for more information.

### Listings

- Listed to UL 1598 and UL 8750.
- Meets Buy American Act requirements.
- Title 24 Compliant; see local ordinance for qualification information.
- Suitable for damp locations
- DLC qualified product. Not all versions of this product may be DLC qualified. Please check the DLC Qualified Products List at [www.designlights.org/QPL](http://www.designlights.org/QPL) to confirm which versions are qualified.

# Aureus High Bay (AUL) Round LED Luminaire

Type : \_\_\_\_\_

 **Have questions?** Call us at (800) 436-7800

## ORDERING GUIDE

TYPICAL ORDER EXAMPLE: AUL 12L S 840 UNV GWT R16AC					
Prefix	Lumen Package	Distribution	Color Rendering / Temperature	Voltage	Finish
AUL - Aureus LED High Bay	8L - 8,000 12L - 12,000 18L - 18,000 24L - 24,000 30L - 30,000 Custom Lumen <sup>1</sup>	S - Symmetric	830 - 80CRI / 3000K 835 - 80CRI / 3500K 840 - 80CRI / 4000K 850 - 80CRI / 5000K	UNV - Universal Voltage (120-277VAC) HV - High Voltage (347-480V)	GWT - Gloss White GBK - Gloss Black MSV - Metallic Silver Custom Colors <sup>2</sup>
Refractor	EM Options	Controls Options		Options	
R16AC - 16" Acrylic Clear R16AD - 16" Acrylic Diffuse R16AW - 16" Acrylic White R22AC - 22" Acrylic Clear R22AD - 22" Acrylic Diffuse R22AW - 22" Acrylic White  Refer to dimensions section for refractor images	EM10 - Emergency Backup 10W EM20 - Emergency Backup 20W	IMSBT1L - Integral Bluetooth™ PIR motion and photo sensor up to 8 ft. mounting height IMSBT2L - Integral Bluetooth™ PIR motion and photo sensor up to 20 ft. mounting height ALSC - AirLink Synapse Control ALSCS02 - AirLink Synapse Control System with 12-20' Motion Sensor		Standard - Surface Mount with primary leads extended 36" HC - Hook HCP120 - Hook, 3' cord & 120V Twistlock Plug <sup>3</sup> HCP208 - Hook, 3' cord & 208V Twistlock Plug <sup>3</sup> HCP240 - Hook, 3' cord & 240V Twistlock Plug <sup>3</sup> HCP277 - Hook, 3' cord & 277V Twistlock Plug <sup>3</sup> HCP480 - Hook, 3' cord & 480V Twistlock Plug <sup>3</sup> EXTD36 - Dimming leads extended 36" <sup>4</sup> EXTD72 - Dimming leads extended 72" <sup>4</sup> C3D - 3' cord with dimming; no plug <sup>4</sup> C3N - 3' cord non-dimming; no plug <sup>5</sup> C3DEM - 3' cord with dimming and switch leg for battery <sup>4</sup> C3NED - 3' cord non-dimming and switch leg for battery <sup>5</sup>	






**Need more information?**  
[Click here for our glossary.](#)



**Have additional questions?**  
Call us at (800) 436-7800



## ACCESSORY ORDERING INFORMATION (Accessories are field installed)

Part Number	Order Number	Description
782280	R16CPA	16" Acrylic Conical Drop Lens <sup>6</sup>
784572	R16FGC	16" Flat Glass Lens <sup>6</sup>
709942	R16WG	16" Wire guard <sup>6</sup>
101170	SCK	Safety Chain Kit

Pendant Ordering Information - Typical Order Example: BC600 3 BLK		
Order Number	Description	Image
BC600 3	3/4" (19 mm) Top Decorative Box Cover Aligner	
BC585	3/4" (19 mm) Top Round Box Cover Aligner	
BC585SQ	3/4" (19 mm) Top Square Box Cover Aligner	

Stem and Hook Ordering Information - Typical Order Example: ST6 3 BLK		
Order Number	Description	Image
ST 6 3	3/4" x 6" (19mmx152mm) Aluminum Stem	
ST 12 3	3/4" x 12" (19mmx .4m) Aluminum Stem	
ST 18 3	3/4" x 18" (19mmx .5m) Aluminum Stem	
ST 24 3	3/4" x 24" (19mmx .6m) Aluminum Stem	
ST 36 3	3/4" x 36" (19mmx .9m) Aluminum Stem <sup>7</sup>	
ST 48 3	3/4" x 48" (19mmx 1.2m) Aluminum Stem <sup>7</sup>	
ST 60 3	3/4" x 60" (19mmx 1.5m) Aluminum Stem <sup>7</sup> (Must order PL - Pendant Mount, 7ft Cord)	
HC	Hook Mount	

1 Custom lumen packages available, please consult factory. Values are within industry standard tolerances and not DLC listed.  
 2 For Custom Color contact factory with RAL Number.  
 3 For Cord & Plug configurations requiring dimming and battery backup, consult factory.  
 4 Not compatible with controls options.  
 5 Cords are 16/3.  
 6 Not Compatible with 22" Refractors.  
 7 Only valid with EXTD72 option.

# Aureus High Bay (AUL) Round LED Luminaire

Type : \_\_\_\_\_

 Have questions? Call us at (800) 436-7800

## PERFORMANCE

Delivered Lumens <sup>1</sup>												
Lumen Package	Distribution	Refractor Type	CRI	3000K CCT		3500K CCT		4000K CCT		5000K CCT		Wattage
				Delivered Lumens	Efficacy	Delivered Lumens	Efficacy	Delivered Lumens	Efficacy	Delivered Lumens	Efficacy	
8L	S	R16AC	80	7,461	162	7,461	162	7,963	163	7,915	162	49
12L	S	R16AC	80	11,246	160	11,246	160	12,002	160	11,930	159	75
18L	S	R16AC	80	16,784	162	16,784	162	17,913	161	17,806	160	111
24L	S	R16AC	80	22,612	159	22,612	159	24,132	160	23,987	159	151
30L	S	R16AC	80	28,406	155	28,406	155	30,316	155	30,134	155	195
8L	S	R22AC	80	7,466	152	7,466	152	7,968	155	7,920	162	49
12L	S	R22AC	80	11,253	150	11,253	150	12,009	155	11,937	159	75
18L	S	R22AC	80	16,795	153	16,795	153	17,924	155	17,816	161	111
24L	S	R22AC	80	22,624	150	22,624	150	24,145	161	24,000	159	151
30L	S	R22AC	80	28,426	155	28,426	155	30,337	156	30,155	155	195

Electrical Data - Current Draw AMPS <sup>2</sup>							
Lumen Package	Wattage	120V	208V	240V	277V	347V	480V
8L	49	0.41	0.24	0.2	0.18	0.14	0.1
12L	75	0.63	0.36	0.31	0.27	0.22	0.16
18L	111	0.93	0.53	0.46	0.4	0.32	0.23
24L	151	1.26	0.73	0.63	0.55	0.44	0.31
30L	195	1.63	0.94	0.81	0.7	0.56	0.41

Recommended Lumen Maintenance - 8L-30L <sup>3</sup>					
Ambient Temperature C°	Initial <sup>4</sup>	25K hrs. <sup>4</sup>	50K hrs. <sup>4</sup>	75K hrs. <sup>5</sup>	100K hrs. <sup>5</sup>
0-25	100%	97%	92%	88%	84%
40	100%	95%	90%	85%	80%

AUL Ambient Rating (All Refractor Options)	
Lumen Package	Ambient Temperature C°
8L	55
12L	50
18L	50
24L	45
30L	40

<sup>1</sup> LEDs are frequently updated therefore values are nominal.

<sup>2</sup> Electrical data at 25C (77F). Actual wattage may differ by +/-10%.

<sup>3</sup> Lumen maintenance values at 25C are calculated per TM-21 based on LM-80 and in-situ testing.

<sup>4</sup> In accordance with IESNA TM-21-11, projected values represent interpolated value based on time durations that are within six times the IESNA LM-80-08 total test duration for the device under testing.

<sup>5</sup> In accordance with IESNA TM-21-11, calculated values represent time durations that exceed six times the IESNA LM-80-08 total test duration for the device under testing.

# Aureus High Bay (AUL) Round LED Luminaire

Type: \_\_\_\_\_

 Have questions? Call us at (800) 436-7800

## PHOTOMETRICS

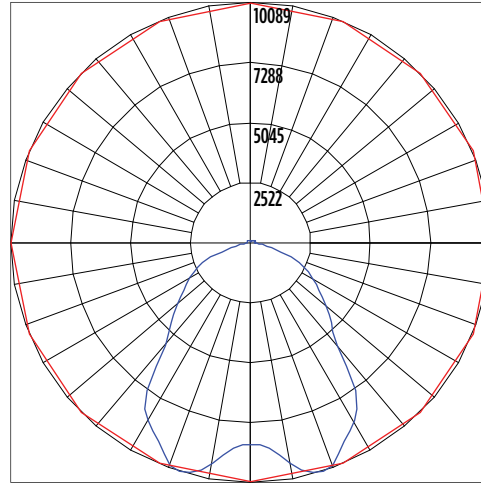
Luminaire photometry has been conducted by a NVLAP accredited testing laboratory in accordance with IESNA LM-79-08. As specified by IESNA LM-79-08 the entire luminaire is tested as the source resulting in a luminaire efficiency of 100%.

See the individual product page on <https://www.lsicorp.com/> for detailed photometric data.

### AUL-24L-S-850-UNV-GWT-R16AC

Luminaire Data	
Wide Distribution	
Description	5000 Kelvin, 80 CRI, 16" Clear Refractor
Delivered Lumens	23,986
Watts	151
Efficacy	159

Polar Curve



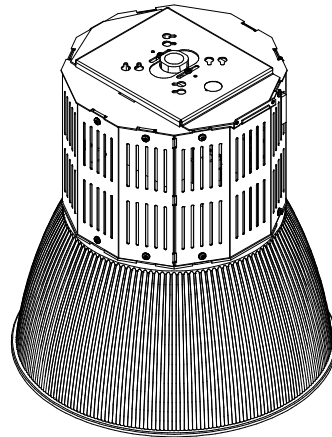
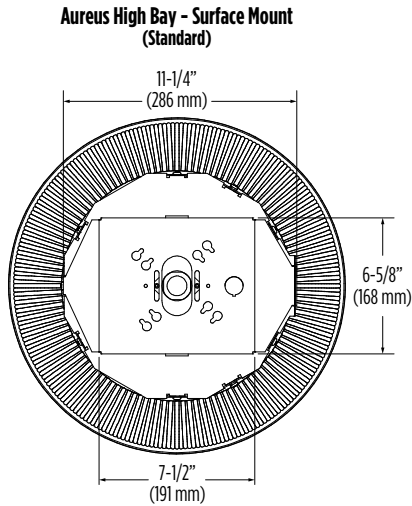
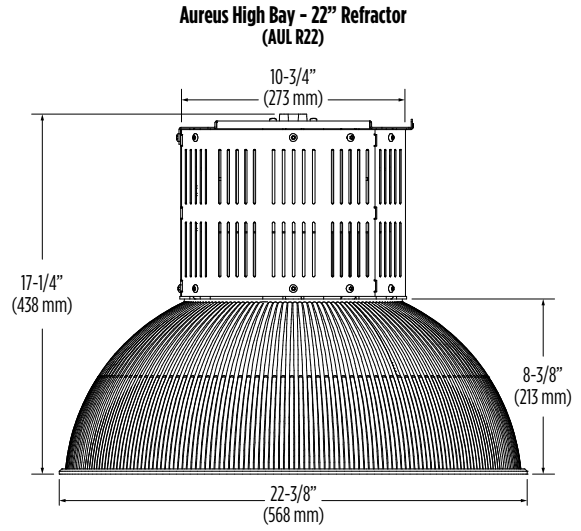
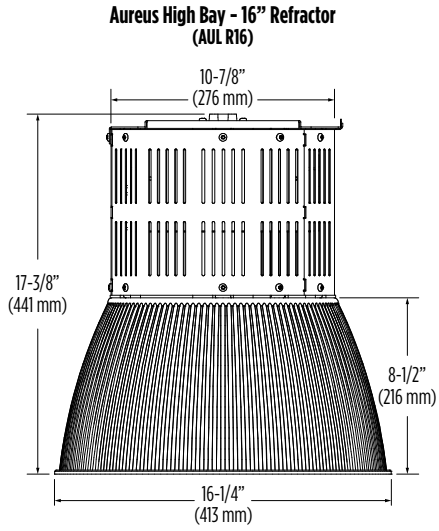
 Vertical Plane  Horizontal Cone

# Aureus High Bay (AUL) Round LED Luminaire

Type: \_\_\_\_\_

 Have questions? Call us at (800) 436-7800

## PRODUCT DIMENSIONS



**R16AC**  
(16" Clear Acrylic Refractor)



**R16AD**  
(16" Diffuse Acrylic Refractor)



**R16AW**  
(16" White Acrylic Refractor)



## CONTROLS

---

### **Integral Bluetooth™ Motion and Photocell Sensor (IMSBTxL)**

Slim low profile sensor provides multi-level control based on motion and/or daylight. Sensor controls 0-10 VDC LED drivers and is rated for cold and wet locations (-30° C to 70° C). Two unique PIR lenses are available and used based on fixture mounting height. All control parameters are adjustable via an iOS or Android App capable of storing and transmitting sensor profiles.

[Click here to learn more details about IMSBT](#)

### **AirLink Wireless Lighting Controller (ALSC, ALSCS)**

The AirLink integrated controller is a California Title 24 compliant lighting controller that provides real-time light monitoring and control with utility-grade power monitoring. It includes a 24V sensor input and power supply to connect a sensor into the outdoor AirLink wireless lighting system. The wireless integrated controller is compatible with this fixture.

[Click here to learn more details about AirLink](#)