



AirLink™ Blue Motion & Photo Sensor Module (ALBCS)

Wireless Lighting Control



OVERVIEW

Signal (wireless)	Bluetooth
Signal Range ft (m)	8 - 40 (2.5 - 12)
Coverage Range (ft)	40
Coverage Area (ft²)	1,200
Operating Temperature F (C)	-4 - 140 (-20 - 60)

QUICK LINKS

FEATURES & SPECIFICATIONS

Description

- The AirLink Blue motion and photo sensor controller provides multi-level control based on motion and/or daylight. Multiple fixtures can be grouped to be controlled by a single sensor.
- Controls 0-10 VDC LED drivers and is rated for cold and wet locations. Control parameters are adjustable via an iOS App capable of storing and transmitting sensor profiles.
- The addition of an AirLink Blue Time Keeper adds the ability to schedule multiple events based on time of day or Astronomical clock.

Construction

- Bluetooth Mesh radio pairs with iOS applications for initial system setup and subsequent adjustments or changes.

- Quad element PIR sensor with 360 degree coverage pattern
- Fresnel lens options for mounting heights up to 40 feet
- Built in day/night photo sensor
- Sensor housing is white polycarbonate
- Sensor settings are stored and maintained in the event of a power failure
- Red LED motion indicator

Electrical

- Class 2 device with a 0-10V configurable dimming output
- Operates on 12-24 VDC from either a 120-277V power pack or auxiliary output driver

Controls

- Range (Line of sight)
- Phone App to fixture 100 feet
- Fixture to Fixture 150 feet

Installation

- Designed for installation on the underside of a luminaire housing in a horizontal orientation.
- IP65 rated
- Rated for use in -4°F to 140°F (-20°C to 60° C) environments

Warranty

- LSI luminaires carry a 5-year limited warranty. Refer to <https://www.lsicorp.com/resources/terms-conditions-warranty/> for more information.

Listings

- UL Listed
- FCC
- CE
- Bluetooth

AirLink™ Blue Motion & Photo Sensor Module (ALBCS)

Type : _____

 **Have questions?** Call us at (800) 436-7800

ORDERING GUIDE

TYPICAL ORDER EXAMPLE: ALBCS		
Prefix	Description	Part Number
ALBCS1	AirLink Blue Motion and Photo Sensor 8-24' Mounting Height	809708
ALBCS2	AirLink Blue Motion and Photo Sensor 25-40' Mounting Height	



Need more information?
[Click here for our glossary.](#)

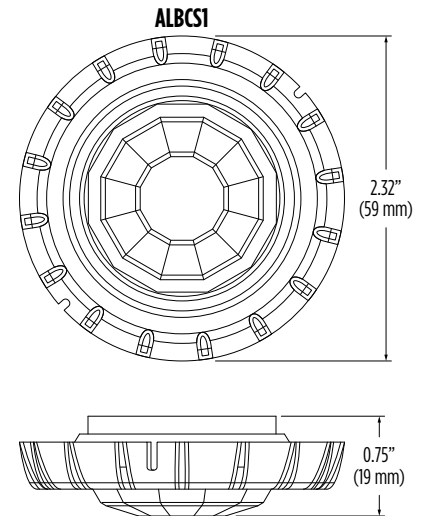
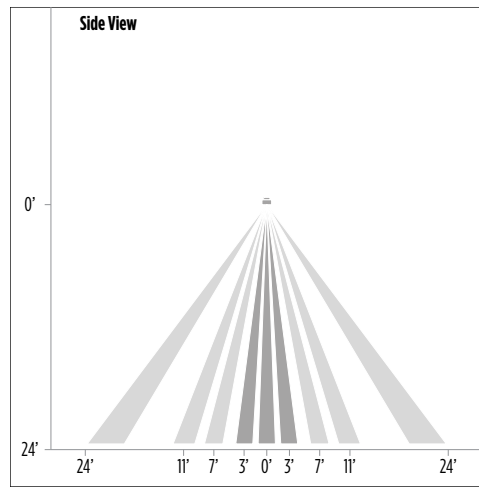
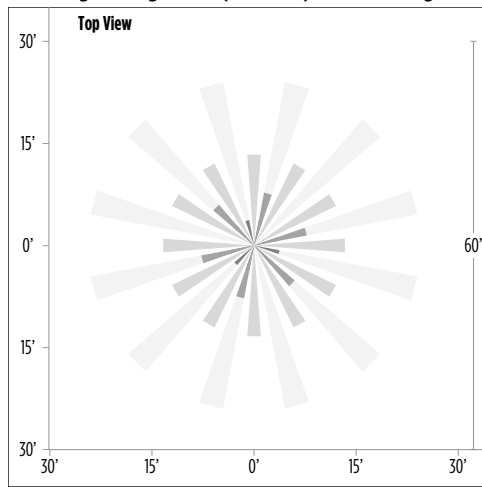
Have additional questions?
 Call us at (800) 436-7800



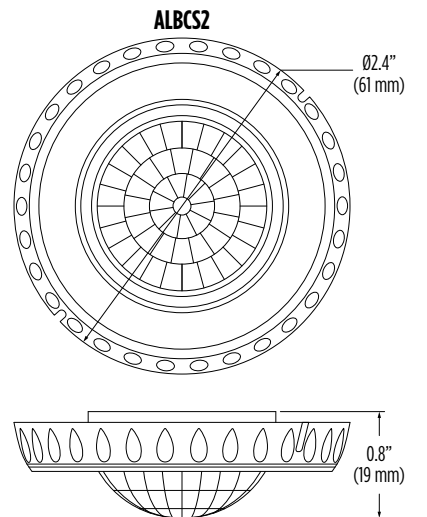
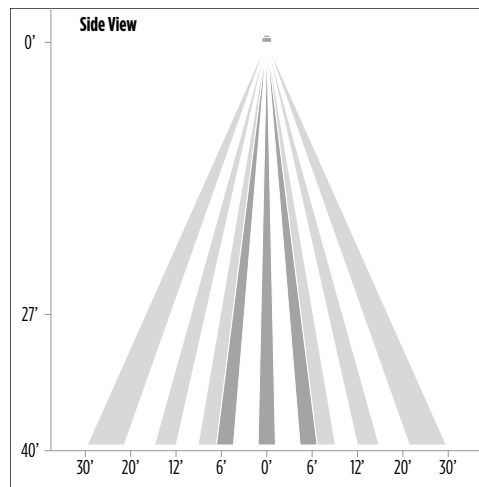
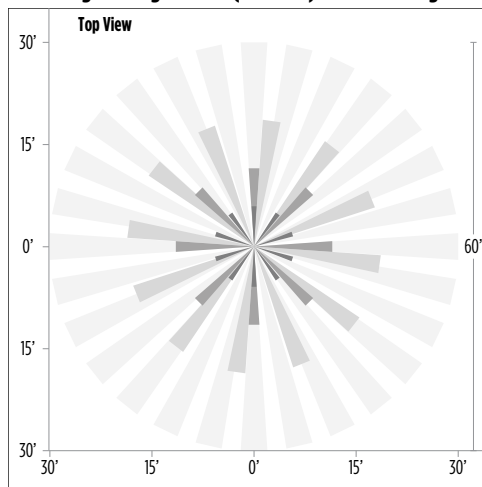
Note: Add catalog number suffix to the catalog number of compatible fixtures: Mirada Area (Large, Medium, Small), Slice Area Medium, Mirada Wall (Medium, Small), Scottsdale Canopy (SCV, SCM), Excursion Garage.

PERFORMANCE

ALBCS1 Signal Range 8-24' (2.5-7.3 m) - 360° Coverage



ALBCS2 Signal Range 25-40' (7.6-12 m) - 360° Coverage

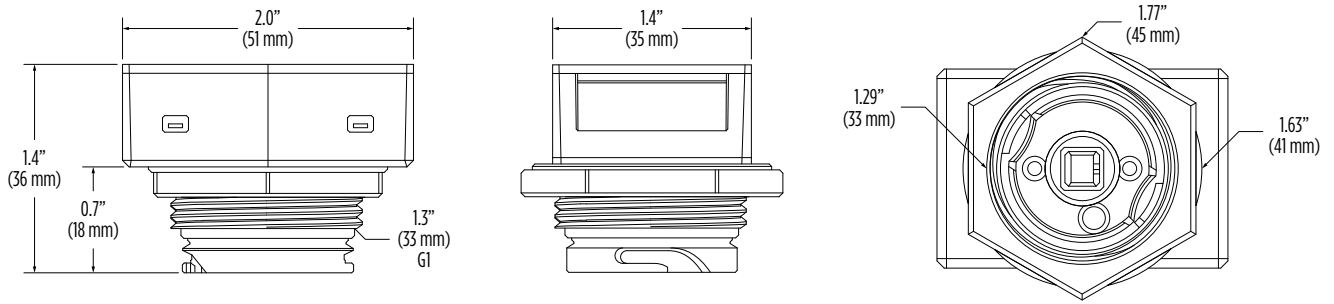


AirLink™ Blue Motion & Photo Sensor Module (ALBCS)

Type: _____

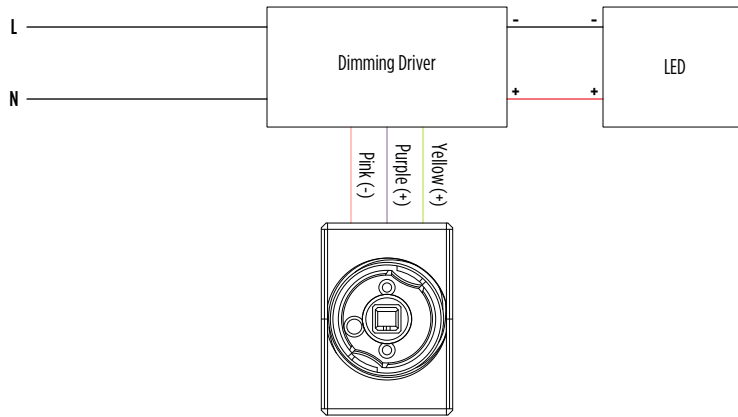
 Have questions? Call us at (800) 436-7800

PRODUCT DIMENSIONS



PRODUCT WIRING

Wiring with 12-24V DC Wire Dimming Ballast or LED Driver



Wiring by AC/DC Adapter with Dimming Ballast or LED Driver

