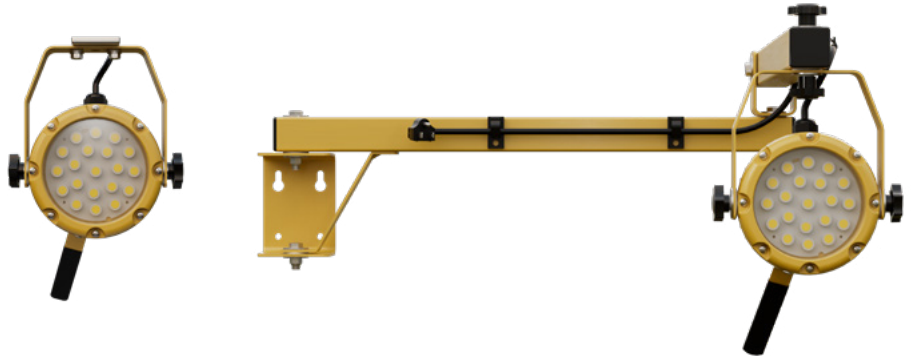




Dock Light

DL



OVERVIEW

Lumen Package (lm)	3,300
Wattage Range (W)	30
Efficacy Range (LPW)	110
Weight lbs (kg)	2.7 -10.6 (1.2 - 4.8)

QUICK LINKS

FEATURES & SPECIFICATIONS

Construction

- Heavy duty die-cast aluminum housing
- UV stabilized powder coat finish
- Standard finish is yellow.
- Environmentally protected On/Off switch.
- 10ft cord with 3 blade plug.

Optical System

- High impact 5.5" diameter polycarbonate lens.

Electrical

- Standard Universal Voltage (120-277 VAC)
Input 50/60Hz
- L70 Calculated Life: 100,000+ hours
- High Efficiency Driver: minimum 84%
- Operating temperature range -40 to +40C
(-40F to +121F).

Installation

- There are 2 mounting styles:
 - Fixture head with magnet attach point for use inside trucks (1 point of adjustment)
 - Fixture head attached to a 42" extendable arm for use on loading docks (5 points of adjustment)

Warranty

- LSI luminaires carry a 5-year limited warranty. Refer to <https://www.lsicorp.com/resources/terms-conditions-warranty/> for more information.

Listings

- Listed to UL 1598 and UL 8750.
- Title 24 Compliant; see local ordinance for qualification information.
- IK08 rated per IEC 66262 mechanical impact code.
- Suitable for damp locations


Dock Light DL

Type : _____


 **Have questions?** Call us at (800) 436-7800

ORDERING GUIDE

TYPICAL ORDER EXAMPLE: DL A 3L 120-277 750				
Prefix	Mounting	Lumen Package	Voltage	Color Rendering/Temperature
DL - Dock Light	M - Individual head with magnet A - Individual head attached to 42" extendable die-cast arm	3L - 3,300 Lumens	120-277 - 120-277 Volts	750 - 70CRI/5000K



Need more information?
[Click here for our glossary](#)

Have additional questions?
Call us at (800) 436-7800 

PERFORMANCE

Delivered Lumens			
Lumen Package	3000K		Wattage
	Delivered Lumens	Efficacy	
3L	3364	110	30

Electrical Data - Current Draw AMPS*							
Lumen Package	Wattage	120V	208V	240V	277V	347V	480V
3L	30	0.56	0.33	0.28	0.24	0.19	0.14

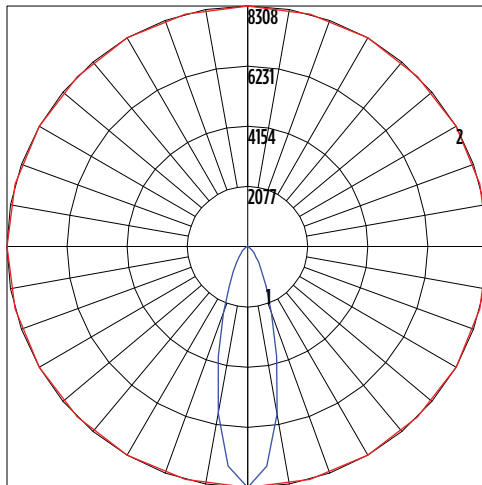
*Electrical data at 25C (77F). Actual wattage may differ by +/-10%.

PHOTOMETRICS

Luminaire photometry has been conducted by a NVLAP accredited testing laboratory in accordance with IESNA LM-79-08. As specified by IESNA LM-79-08 the entire luminaire is tested as the source resulting in a luminaire efficiency of 100%.

See the individual product page on <https://www.lsicorp.com/> for detailed photometric data.

Polar Curve



■ Vertical Plane ■ Horizontal Cone

Dock Light DL

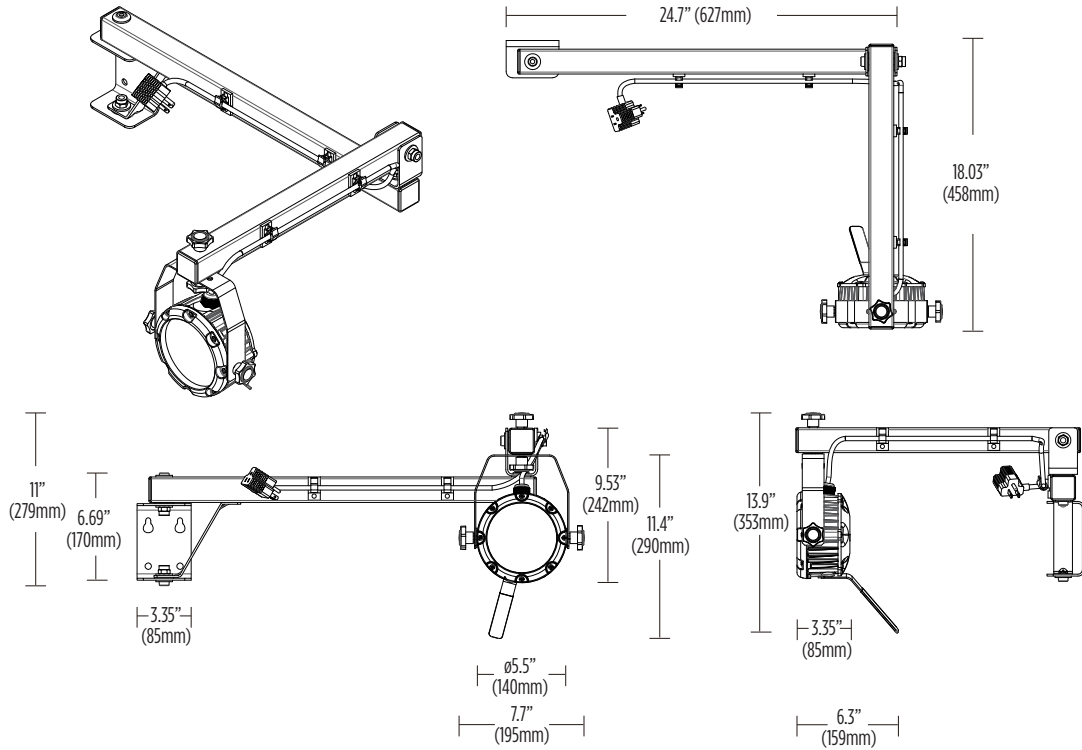
Type: _____

 **Have questions?** Call us at (800) 436-7800

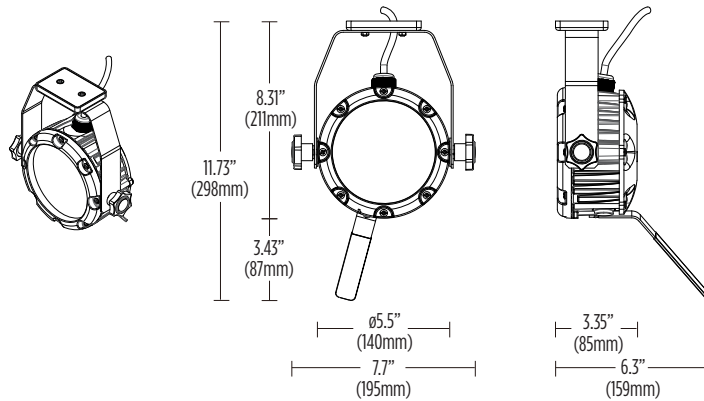
PRODUCT DIMENSIONS

Shipping Weights		
DL A	10.6	lbs
DL M	3.0	lbs

Dock Light with 42" Arm (DL A)



Dock Light with magnet (DL M)



DL A



DL M

