

Catalog # :

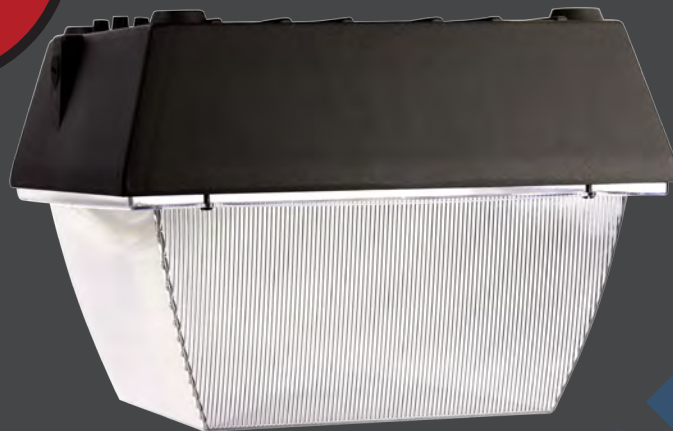
Project :

Prepared By :

Date :



# VRC56W 56 Watt LED Canopy



The Canopy series provides smooth, white light while retaining a familiar design. The acrylic glare free lens directs light to the target.

## Features & Specifications

### Performance

4500K		
Delivered Lumens	Efficacy	Wattage
5,494	100.4	54.74

### Optical System

- Lens assembly is designed to provide high efficiency and to target the light where needed to satisfy outdoor lighting requirements.
- Positioning of the LEDs result in the light being directed to desired locations eliminating glare and offensive light.
- 4500K color temperature.
- Minimum CRI of 83

### Electrical

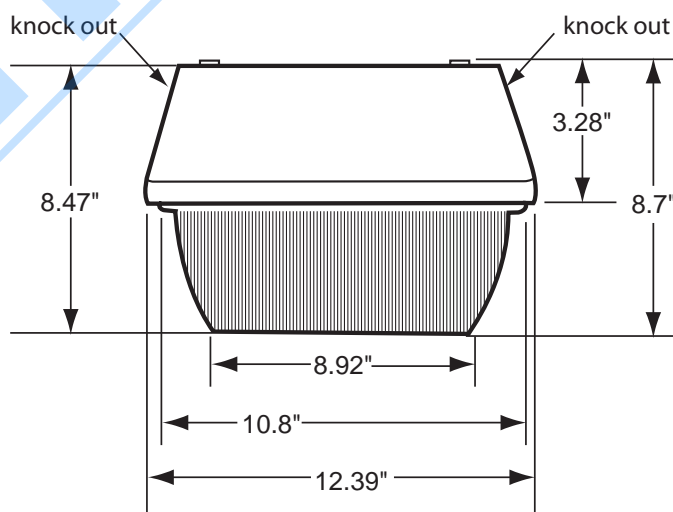
- High-performance driver features over-voltage, under voltage, short-circuit and over temperature protection.
- 0-10 volt dimming (10% - 100%) standard.
- Standard Universal Voltage (120-277 Vac) Input 50/60 Hz
- L70 Calculated Life: >100k Hours
- Total harmonic distortion: <20%
- Power factor: >.85
- Input power stays constant over life.
- Driver Off-State Power is 0 watts.
- Components are fully encased in potting material for moisture resistance. Driver complies with FCC standards. Driver and key electronic components can easily be accessed.
- Minimum 4kV surge rating

### Construction

- Rugged traditional aluminum die cast housing provides proven environmental protection for LED modules.
  - Traditional fixture designs provide a familiar look and standard installation requirements.
- Retaining this look allows the ability to upgrade fixtures gradually, while retaining the same overall fixture appearance throughout a facility.
- Patent pending thermal stacking technology system features a unique internal design that allows for lower operating temperatures which



## Dimensions





# VRC56W 56 Watt LED Canopy

## Features & Specifications (Cont.)

results in a brighter, whiter light, more stable color and longer LED and driver life.

- LSI LEDs provide higher lumen output, greater energy efficiency and more reliable fixture performance.
- LEDs manufactured for the VRC series utilize Epoxy Guard conformal coating which reduces the chance of board corrosion.
- Weight: 7.25 lbs in carton

### Warranty

- LSI LED Fixtures carry a 5-year warranty.

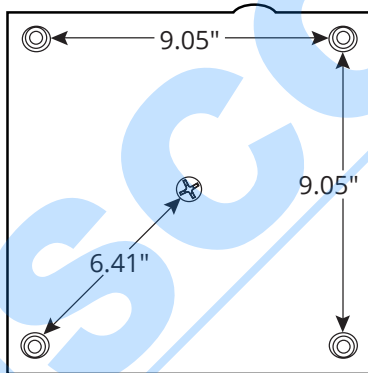
### Listings

- Listed to UL 1598 and UL 8750.
- CSA Listed
- RoHS Compliant.
- DesignLights Consortium® (DLC) qualified product. Not all versions of this product may be DLC qualified. Please check the DLC Qualified Products List at [www.designlights.org/QPL](http://www.designlights.org/QPL) to confirm which versions are qualified.
- American Recovery and Reinvestment Act Funding Compliant.
- Lighting Facts Approved.
- Suitable For Wet Locations.

### Installation:

- Fixture retains the same knock-out sizes and positions as previous models, reducing wiring costs.

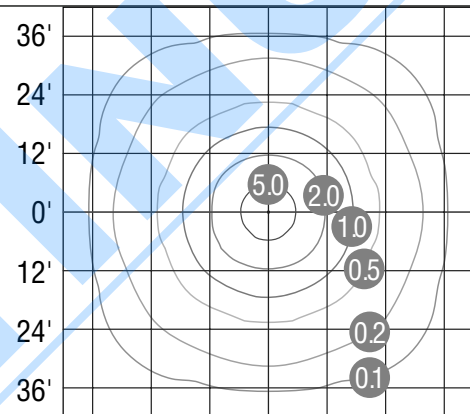
## Mounting Detail



## Energy Savings

LED		HID			
Wattage	Annual Cost	Source Wattage	Total Wattage Used	Annual Cost	Annual Savings
56	\$24	100	129	\$77	\$53
		150	185	\$100	\$76
		175	210	\$112	\$88

## Photometrics



12 ft. Mounting Height

**LED lighting facts**  
A Program of the U.S. DOE

Light Output (Lumens) 5494  
Watts 54.74  
Lumens per Watt (Efficacy) 100.4

Color Accuracy  
Color Rendering Index (CRI) 83

Light Color  
Correlated Color Temperature (CCT) 4642 (Daylight)

2700K 3000K 4500K 6500K

Warm White Bright White Daylight

All results are according to IESNA LM-79-2008: Approved Method for the Electrical and Photometric Testing of Solid-State Lighting. The U.S. Department of Energy (DOE) verifies product test data and results.

Visit [www.lightingfacts.com](http://www.lightingfacts.com) for the Label Reference Guide.

Registration Number: PR84-A3772X (3/24/2017)  
Model Number: VRC56W45K-BZ  
Type: Luminaire - Canopy

## Luminaire Ordering Guide

TYPICAL ORDER EXAMPLE: **VRC 56W 45K BZ**

Family Prefix	Wattage	Color Temp	Finishes	Options / Controls
VRC	56W	45K - 4500K	BZ - Bronze	