

Catalog # :

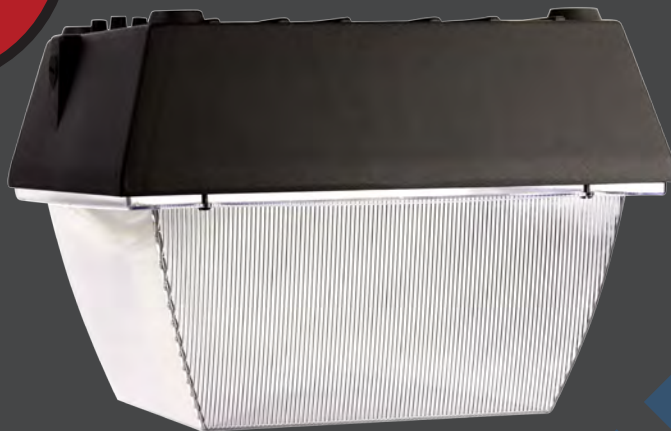
Project :

Prepared By :

Date :



# VRC43W 43 Watt LED Canopy



The Canopy series provides smooth, white light while retaining a familiar design. The acrylic glare free lens directs light to the target.

## Features & Specifications

### Performance

4500K		
Delivered Lumens	Efficacy	Wattage
4,611	106.0	43.51

### Optical System

- Lens assembly is designed to provide high efficiency and to target the light where needed to satisfy outdoor lighting requirements.
- Positioning of the LEDs result in the light being directed to desired locations eliminating glare and offensive light.
- 4500K color temperature.
- Minimum CRI of 83

### Electrical

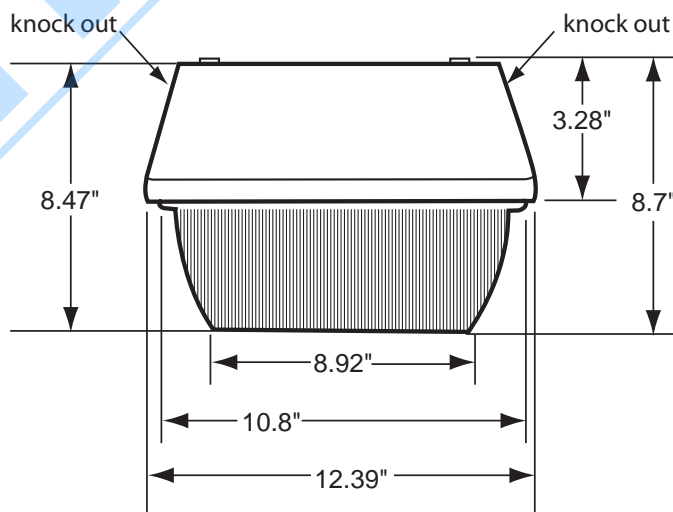
- High-performance driver features over-voltage, under voltage, short-circuit and over temperature protection.
- 0-10 volt dimming (10% - 100%) standard.
- Standard Universal Voltage (120-277 Vac) Input 50/60 Hz
- L70 Calculated Life: >100k Hours
- Total harmonic distortion: <20%
- Power factor: >.85
- Input power stays constant over life.
- Driver Off-State Power is 0 watts.
- Components are fully encased in potting material for moisture resistance. Driver complies with FCC standards. Driver and key electronic components can easily be accessed.
- Minimum 4kV surge rating

### Construction

- Rugged traditional aluminum die cast housing provides proven environmental protection for LED modules.
  - Traditional fixture designs provide a familiar look and standard installation requirements.
- Retaining this look allows the ability to upgrade fixtures gradually, while retaining the same overall fixture appearance throughout a facility.
- Patent pending thermal stacking technology system features a unique internal design that allows for lower operating temperatures which



## Dimensions





# VRC43W 43 Watt LED Canopy

## Features & Specifications (Cont.)

results in a brighter, whiter light, more stable color and longer LED and driver life.

- LSI LEDs provide higher lumen output, greater energy efficiency and more reliable fixture performance.
- LEDs manufactured for the VRC series utilize Epoxy Guard conformal coating which reduces the chance of board corrosion.
- Weight: 7.25 lbs in carton

### Warranty

- LSI LED Fixtures carry a 5-year warranty.

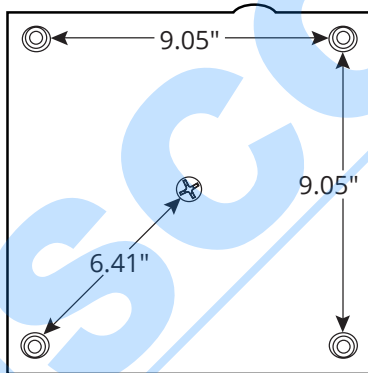
### Listings

- Listed to UL 1598 and UL 8750.
- CSA Listed
- RoHS Compliant.
- DesignLights Consortium® (DLC) qualified product. Not all versions of this product may be DLC qualified. Please check the DLC Qualified Products List at [www.designlights.org/QPL](http://www.designlights.org/QPL) to confirm which versions are qualified.
- American Recovery and Reinvestment Act Funding Compliant.
- Lighting Facts Approved.
- Suitable For Wet Locations.

### Installation:

- Fixture retains the same knock-out sizes and positions as previous models, reducing wiring costs.

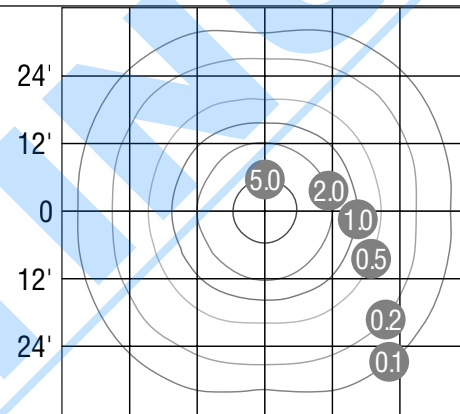
## Mounting Detail



## Energy Savings

LED		HID			
Wattage	Annual Cost	Source Wattage	Total Wattage Used	Annual Cost	Annual Savings
43	\$19	100	129	\$77	\$58
		150	185	\$100	\$81
		175	210	\$112	\$93

## Photometrics



12 ft. Mounting Height

## Luminaire Ordering Guide

TYPICAL ORDER EXAMPLE: **VRC 43W 45K BZ**

Family Prefix	Wattage	Color Temp	Finishes	Options / Controls
VRC	43W	45K - 4500K	BZ - Bronze	