



# Two-Circuit Track System (TR 2)

## Track Sections, Joiners, & Feeds



### OVERVIEW

|                            |                             |
|----------------------------|-----------------------------|
| Track Type                 | J-Type, 2-Circuit/1-Neutral |
| Track Section Lengths (ft) | 4, 8                        |
| Voltage per Circuit (V)    | 120                         |
| Component Finish           | Black                       |
| Mounting                   | Surface                     |

### QUICK LINKS

## FEATURES & SPECIFICATIONS

### Construction

- Heavy 14 gauge extruded aluminum housing channel.
- Solid copper conductors are encased in Noryl® insulators (PPO).
- Each track section is supplied with two (2) insulated Dead End Caps. Replacement Dead End accessories ordered separately.
- Track System polarity is labeled with visual indicator on each track section, assuring proper electrical connections.

### Electrical

- 20A per circuit, 40A total. 2400W per circuit, 4800W total.
- 120V AC Input 50/60 Hz.
- Contains two (2) 120-Volt Hot Conductors and one (1) Common Neutral.

### Controls

- Adjust lighting effects by connecting individual fixtures to the desired individual circuits and utilize separate switching.

### Installation

- Track sections can be cut to desired length in field. Consult the product installation guide for details.
- Toggle Bolts included standard for simple surface installation.
- Alignment guides ensure proper alignment between track sections.

### Warranty

- LSI luminaires carry a 5-year limited warranty. Refer to <https://www.lsicorp.com/resources/terms-conditions-warranty/> for more information.

### Listings

- UL listed to U.S. and Canadian safety standards.
- Suitable for Dry Locations only.

# Two-Circuit Track System (TR 2)

Type: \_\_\_\_\_

 **Have questions?** Call us at (800) 436-7800

## ORDERING GUIDE

**TYPICAL ORDER EXAMPLE: TR 2 8 B**

| Prefix              | # of Circuits                        | Length <sup>1,2</sup> | Color     |
|---------------------|--------------------------------------|-----------------------|-----------|
| TR - Track (J-Type) | 2 - 2 Circuits<br>(1 Shared Neutral) | 4 - 4ft<br>8 - 8ft    | B - Black |


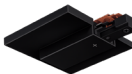





**Need more information?**  
[Click here for our glossary](#)

**Have additional questions?**  
 Call us at (800) 436-7800



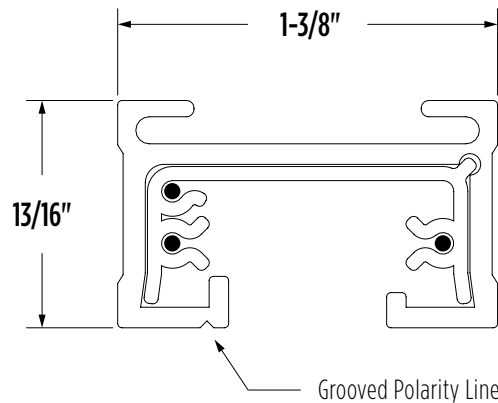
## TRACK SYSTEM ACCESSORIES

| Description     |   |   |
|-----------------|---|---|
| Feed Connectors | <b>Live End - Top-Access End Feed</b><br>For direct wiring through ceiling with junction box or end feed in suspension, cover plate is required over junction box. Accepts 3/8" or 1/2" (trade size) electrical fittings.<br><b>Order Number: 84238</b> |  |
|                 | <b>End Feed Kit with Box Cover</b><br>For Wiring through junction box. Built-in junction box cover.<br><b>Order Number: 84233</b>   |  |
|                 | <b>Replacement Dead End</b><br><b>Order Number: 84508</b>   |  |

| Description         |   |   |
|---------------------|---|---|
| Non-Feed Connectors | <b>Mini Connector</b><br>Connects two sections without adding length to track run.<br><b>Order Number: 84225</b>            |  |
|                     | <b>Adjustable Connector</b><br>Connects two track sections up to 90° left, right, up or down.<br><b>Order Number: 84227</b> |  |

- Two (2) Dead End Caps are supplied with each section of track.
- Track sections can be cut to desired length in field. Consult the product installation guide for details.

## PRODUCT DIMENSIONS



| Track Section Length Dimensions |          |          |
|---------------------------------|----------|----------|
| <b>Lengths</b>                  | 4' (48") | 8' (96") |
| <b>Nominal Lengths</b>          | 44-1/8"  | 92-1/8"  |