



High Output Downlight

Deep Regressed



OVERVIEW

Lumen Package (lm)	1,500 - 6,400
Wattage Range (W)	18 - 80
Efficacy Range (LPW)	80

FEATURES & SPECIFICATIONS

Construction

- Aluminum housing acting as the heat sink to maximize life.
- 6" size, 85lm/w, up to 80W
- Twist-Lock Modular design
- New construction housing frame available

Optical System

- Spun aluminum reflector integrated with haze finish and white trim ring
- Diffuse lens conceals the LEDs from direct view.
- The choice of 3000K, 3500K, 4000K color temperatures.
- Minimum CRI of 80.
- Lumen maintenance L70 of 50,000h in 25°C ambient temperature, in compliance with IES LM-80 testing measurements.

Electrical

- Powered by Class 2 high efficiency LED driver, with a standard 1-10V dimming which continuous dims to 10% that works with many types of controls.

- Power factor >0.9
- THD <20%
- Standard electronic drivers are cULus recognized and available for 110-277V AC.
- Damp rated in operating ambient temperatures of -20°C-40°C
- Optional high voltage remote emergency LED driver available for standby lighting in the event of power loss.

Controls

- 0-10V dimming standard
- Compatible with most 0-10V dimmers
- Available with AirLink Blue circuit level controls

Installation

- It is provided with spring steel friction clips allowing for installation in a variety of commercial recessed open frame rough-in sections.
- Designed for use in non-insulated ceilings where insulation must be kept a minimum of 3" from the fixture.

- New Construction Frame Kit
- Additional channel bar, nailer bar and suspended ceiling accessories available.
- Frame kit can be ordered separately for new construction build.
- Accommodates ceiling thickness up to 1.5"

Warranty

- LSI luminaires carry a 5-year limited warranty. Refer to <https://www.lsicorp.com/resources/terms-conditions-warranty/> for more information.

Listings

- cULus listed for damp locations
- Tested to IESNA LM-79 and LM-80

High Output Downlight

Type: _____

 **Have questions?** Call us at (800) 436-7800

ORDERING GUIDE

TYPICAL ORDER EXAMPLE: LAD6 FS1 UNV DIM WHT					
Prefix	Lumen Package, CCT and CRI	Voltage	Driver	Color Temperature	Beam Optics
LAD6 - High Output Downlight	FS1 - Field Selectable Wattage and CCT 18W - 27W - 40W & 3000k, 3500K, 4000K	UNV - 120 - 277V	DIM10 - 0-10V Dimming		WF - Wide Flood
	FL1 - Field Selectable Wattage, Fixed CCT 50W - 65W - 80W & 4000K			840 - 80CRI, 4000K	



Need more information?
[Click here for our glossary.](#)

Have additional questions?
Call us at (800) 436-7800

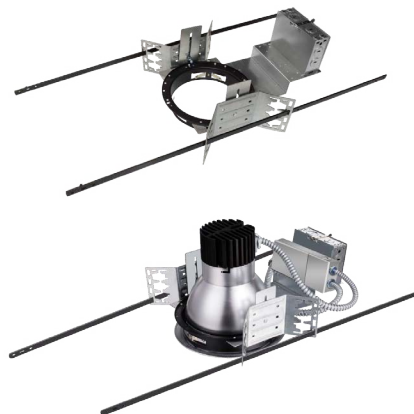
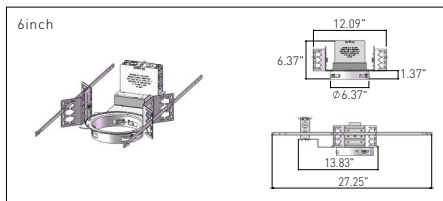


Reflector	Finish and Flange Type	Trim Color
6R - Open Reflector	HAZ SF - Haze semi-diffused	WH - White trim ring
		BL - Black trim ring
		HAZ - Haze

QUICK SHIP SKUS

Part Number	Catalog String
780287HYN	LAD6 FS1 UNV DIM10 WF 6R HAZ SF WH
780291HYN	LAD6 FL1 UNV DIM10 840 WF 6R HAZ SF BL
780294HYN	LAD6 FL1 UNV DIM10 840 WF 6R HAZ SF HAZ
780295HYN	LAD6 FS1 UNV DIM10 WF 6R HAZ SF HAZ
784019HYN	LAD6 FS1 UNV DIM10 WF 6R HAZ SF BL
788056HYN	LAD6 FS1 UNV DIM10 WF 6R HAZ SF BL LF

NEW CONSTRUCTION FRAME KIT



- For complete fixture with remote mount EM for T-Grid install, order remote battery with grid mount kit.
- For new construction frame kit with EM for T-Grid install, order T-Grid bracket separately.