



Small Cylinder Track Head (STRB30)

Fixed Output LED Track Light Fixture



OVERVIEW	
Lumen Package (lm)	2,300
Wattage (W)	20
Efficacy Range (LPW)	102 - 117
Color Temperature (K)	4000K
Fixture Weight lbs (kg)	2 (0.9)

QUICK LINKS

FEATURES & SPECIFICATIONS

Construction

- Die-cast aluminum LED housing, heat-sink and swivel joint.
- Polycarbonate electrical adapter with copper conductor.
- Precision directional aiming adjustment. 355° horizontal rotation, 90° vertical rotation.
- Compatible with LSI's TR Track System and Juno Track System (J-Type).

Optical System

- Utilizes integrated chip on board (COB) modules.
- Molded TIR optic engineered to provide a smooth uniform beam for maximum output with minimum glare.
- 2-step MacAdam Ellipse tolerance.
- Minimum color rendering index (CRI) of 80 standard. 90 CRI available for high visual acuity.

Electrical

- High-performance driver features overvoltage, undervoltage, short-circuit and over temperature protection.
- 120V AC Input 50/60 Hz
- L70 Calculated Life: >61,000 Hours
- Total harmonic distortion: <20%
- Power factor: >0.9
- Input current 0.20A / 0.1A
- Surge rating: 2.5kV minimum

Controls

- Leading/Trailing Edge TRIAC Dimming Standard (2 - 100%).

Installation

- Quick connect harness to attach fixtures in continuous rows.
- Integral ON/OFF switch and track polarity indicator.
- Alignment guides ensure proper alignment between tracks.

Warranty

- LSI luminaires carry a 5-year limited warranty. Refer to <https://www.lsicorp.com/resources/terms-conditions-warranty/> for more information.

Listings

- ETL/cETLus Listed.
- Suitable for Dry and Damp Locations.

Small Cylinder Track Head (STRB30)

Type : _____

 **Have questions?** Call us at (800) 436-7800

ORDERING GUIDE

ORDERING GUIDE - TRACK HEAD

TYPICAL ORDER EXAMPLE: STRB30 LED 20L 27 120 DIM 40 80CRI BLK								
Prefix	Light Source	Lumen Package	Beam Angle	Voltage	Driver	Color Temperature	CRI	Finish
STRB30 - Small Cylinder Track Head	LED	20L - 2,300lm	27 - 27° Flood	120 - 120V	DIM - Leading/Trailing Edge Down to 2%	40 - 4000K CCT	80CRI - 80 CRI 90CRI - 90 CRI	BLK - Black



Need more information?
[Click here for our glossary](#)




Have additional questions?
 Call us at (800) 436-7800


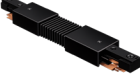


ORDERING GUIDE - TRACK SYSTEM

TYPICAL ORDER EXAMPLE: TR 2 8 B			
Prefix	# of Circuits	Length	Color
TR - Track (J-Type)	2 - 2 Circuits (1 Shared Neutral)	4 - 4ft 8 - 8ft	B - Black

TRACK SYSTEM ACCESSORIES

Description		
Feed Connectors	Live End - Top-Access End Feed For direct wiring through ceiling with junction box or end feed in suspension, cover plate is required over junction box. Accepts 3/8" or 1/2" (trade size) electrical fittings. Order Number: 84238	
	End Feed Kit with Box Cover For Wiring through junction box. Built-in junction box cover. Order Number: 84233	
	Replacement Dead End Order Number: 84508	

Description		
Non-Feed Connectors	Mini Connector Connects two sections without adding length to track run. Order Number: 84225	
	Adjustable Connector Connects two track sections up to 90° left, right, up or down. Order Number: 84227	

PERFORMANCE

Delivered Lumens ¹				
Lumen Package	CRI	4000K CCT		Wattage
		Delivered Lumens	Efficacy	
STRB30	80	2317	117	20
	90	2037	102	

Electrical Data - Current Draw AMPS ²		
Lumen Package	Wattage	120V
STRB30	20	0.17

CRI Proration	
80	1
90	0.88

Recommended Lumen Maintenance ³					
Ambient Temperature	Initial ⁴	25K hrs. ⁴	50K hrs. ⁴	75K hrs. ⁵	100K hrs. ⁵
0 C	100%	98%	95%	93%	91%
10 C	100%	98%	95%	93%	91%
20 C	100%	97%	94%	92%	90%
25 C	100%	96%	94%	91%	89%
30 C	100%	96%	93%	90%	88%
35 C	100%	96%	92%	89%	86%

¹ LEDs are frequently updated therefore values are nominal

² Electrical data at 25C (77F). Actual wattage may differ by +/-10%.

³ Lumen maintenance values at 40C are calculated per TM-21 based on LM-80 data and in-situ testing.

⁴ In accordance with IESNA TM-21-11, Projected Values represent interpolated value based on time durations that are within six times the IESNA LM-80-08 total test duration for the device under testing.

⁵ In accordance with IESNA TM-21-11, Calculated Values represent time durations that exceed six times the IESNA LM-80-08 total test duration for the device under testing.

Small Cylinder Track Head (STRB30)

Type: _____

 Have questions? Call us at (800) 436-7800

PHOTOMETRICS

Luminaire photometry has been conducted by a NVLAP accredited testing laboratory in accordance with IESNA LM-79-08. As specified by IESNA LM-79-08 the entire luminaire is tested as the source resulting in a luminaire efficiency of 100%.

See the individual product page on <https://www.lsicorp.com/> for detailed photometric data.

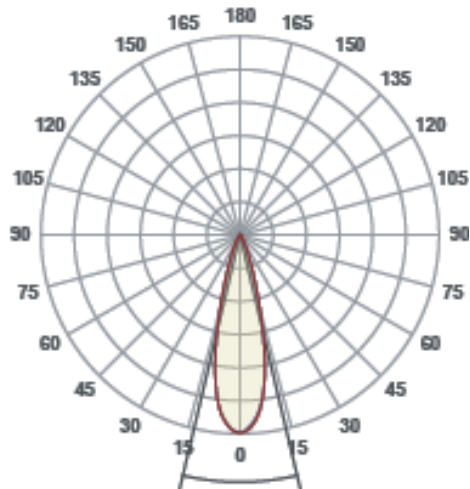
STRB-30-LED-20L-27-40-80CRI

Lumens: 2,317

Watts: 19.8

Max Candela: 8,355 at Horizontal: 90°, Vertical: 2.5°

ZONAL LUMEN SUMMARY		
Zone	Lumens	%Fixture
0-20	1711.43	73.9
0-30	2069.90	89.3
0-40	2208.85	95.3
0-60	2308.23	99.6
0-80	2316.84	100.0
0-90	2316.84	100.0
10-90	1605.74	69.3
20-40	497.42	21.5
20-50	564.19	24.4
40-70	107.49	4.6
60-80	8.62	0.4
70-80	0.51	0.0
80-90	0.00	0.0
0-180	2317.00	100.0



Beam Angle: 27°

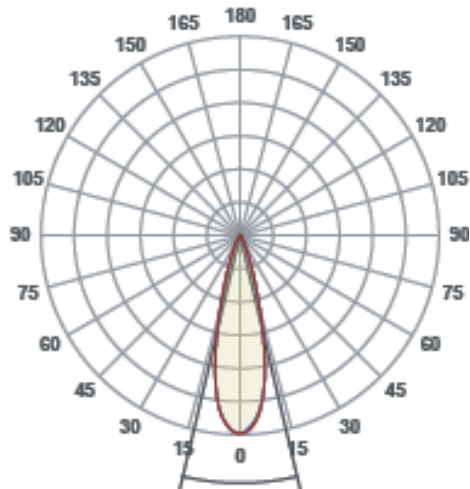
STRB-30-LED-20L-27-40-90CRI

Lumens: 2,026.3

Watts: 19.8

Max Candela: 7,345 at Horizontal: 90°, Vertical: 2.5°

ZONAL LUMEN SUMMARY		
Zone	Lumens	%Fixture
0-20	1504.61	73.9
0-30	1819.75	89.3
0-40	1941.95	95.3
0-60	2029.28	99.6
0-80	2036.83	100
0-90	2036.83	100
Oct-90	1411.65	69.3
20-40	437.35	21.5
20-50	496.01	24.4
40-70	94.37	4.6
60-80	7.55	0.4
70-80	0.51	0
80-90	0	0
0-180	2036.83	100



Beam Angle: 27°

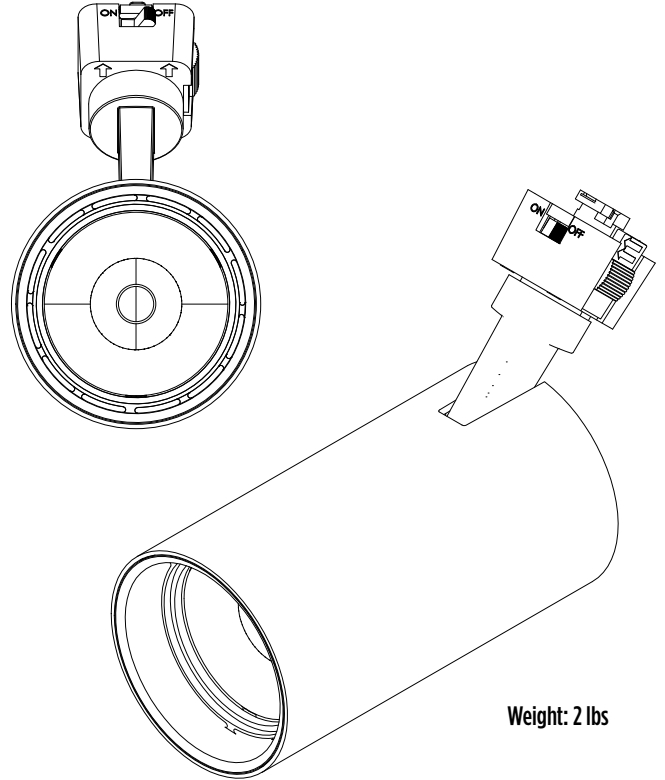
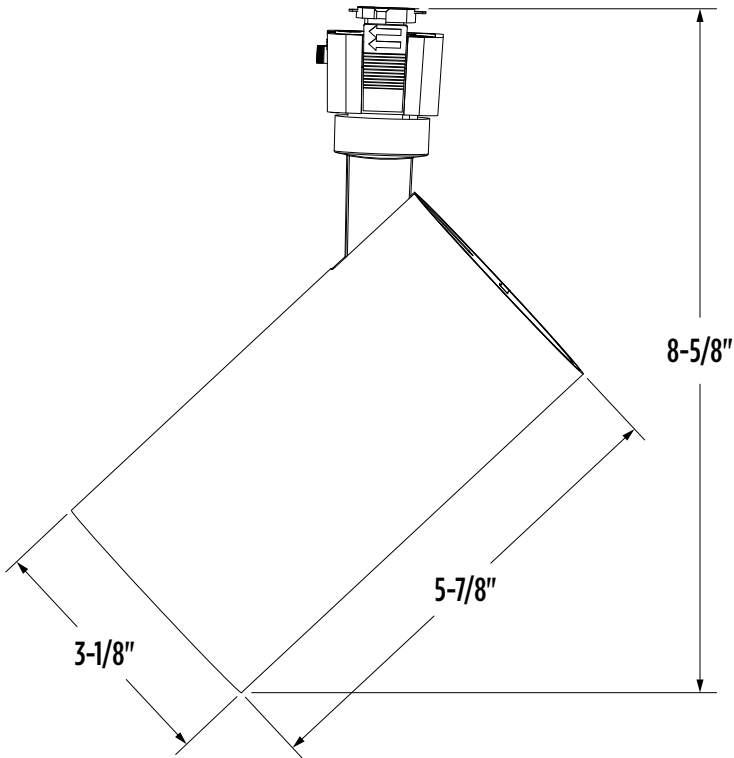
Small Cylinder Track Head (STRB30)

Type: _____

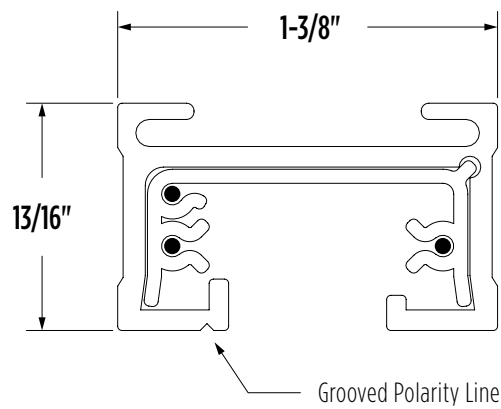
 Have questions? Call us at (800) 436-7800

PRODUCT DIMENSIONS

STRB30 Track Head



TR 2 Track System



Track Section Length Dimensions		
Lengths	4' (48")	8' (96")
Nominal Lengths	44-1/8"	92-1/8"