



All-Weather Downlight (SFR)

Open and Closed Ceilings



OVERVIEW

Lumen Package (lm)	1,000, 2,200
Wattage Range (W)	8 - 17
Efficacy Range (LPW)	117 - 135
Color Temperature (K)	3000, 4000, 5000
Weight (lbs)	2.6
Rough-in / Housing (")	4.5 / 6.0
Typical Applications	Soffit, Awning, Overhang

QUICK LINKS

PERFORMANCE

Construction

- IP66 ingress protection above and below ceiling - dust and water tight.
- Rugged die-cast powder coated Aluminum housing.
- Self-contained optic, board and heat sink assembly.
- Operating temperature:
 - Open/Closed Ceiling: -40C to +40C
 - Closed Ceiling (IC-Rated): -40C to +35C
- Round or Square Trim options.
- IC-rated for direct contact with insulation.

Optical System

- Impact resistant glass lens with metalized reflector for high efficiency.
- Minimum color rendering index (CRI) of 80 for high visual comfort.

Electrical

- High-performance class 2 driver features overvoltage, under-voltage, short-circuit and over-temperature protection.

- Standard Universal Voltage (120-277 VAC) Input 50/60 Hz.
- 0-10V dimming (10% - 100%) standard. Compatible with most commercially available 0-10V dimmers.
- Power factor: > 0.90
- Total harmonic distortion: <20%
- Optional remote emergency battery for standby lighting.

Controls

- 0-10V dimming standard. Compatible with most commercially available 0-10V dimmers.

Installation

- Recessed mount for metal pan or drywall ceilings.
- IC rated when used in closed ceilings.
- Stainless steel spring clips for quick installation.
- Locking collar for vandal resistance and enhanced durability. Requires ceiling access.

- Integrated wiring box.
- Accommodates ceiling thickness up to 1/2"

Warranty

- LSI luminaires carry a 5-year limited warranty. Refer to <https://www.lsicorp.com/resources/terms-conditions-warranty/> for more information.

Listings

- Certified to UL 1598 and UL 8750.
- Suitable for wet, damp or dry locations.
- IP66 rated Luminaire per IEC 60598-1.
- Made in USA with global materials.
- Meets Buy American Act requirements.

All-Weather Downlight (SFR) Open and Closed Ceilings

Type : _____

 **Have questions?** Call us at (800) 436-7800

ORDERING GUIDE

TYPICAL ORDER EXAMPLE: SFR 4 F 20L 840 DFG S R BLK										
Prefix	Size	Mounting/Install	Lumen Package	Color Temperature & CRI	Lens	Distribution	Trim Shape	Trim Finish	Controls	Options
SFR - All-Weather Downlight	4 - 4.5" nominal	F - Flanged	10L - 1,000lm 20L - 2,200lm	830 - 3000K, 80 CRI min. 840 - 4000K, 80 CRI min. 850 - 5000K, 80 CRI min.	DFG - Diffuse Flush Glass	S - Wide Symmetric 120 degree	S - Square R - Round	WHT - White BLK - Black BRZ - Dark Bronze Custom finishes available. Contact Factory.	Blank - 0-10V DC (10-100% std.)	Blank - None



Need more information?
[Click here for our glossary](#)

Have additional questions?
Call us at (800) 436-7800



ACCESSORY ORDERING INFORMATION

Part Number	Order Number	Description
786277	EM8RMK	8W Battery Backup 120-277VAC with remote grid mount kit
778196	EM8RB	8W Remote Mount Battery
801387	EM25RB	25W Remote Mount Battery

PERFORMANCE

Delivered Lumens*									
Lumen Package	Trim Shape	CRI	3000K		4000K		5000K		Wattage
			Delivered Lumens	Efficacy	Delivered Lumens	Efficacy	Delivered Lumens	Efficacy	
10L	Square	80	1,076	128	1,133	135	1,130	135	8
10L	Round		991	118	1,043	124	1,041	124	8
20L	Square		2,142	127	2,256	133	2,251	133	17
20L	Round		1,973	117	2,078	123	2,073	123	17

* LEDs are frequently updated therefore values are nominal

Electrical Data - Current Draw AMPS*					
Lumen Package	Wattage	120V	208V	240V	277V
10L	8	0.07	0.04	0.04	0.03
20L	17	0.14	0.08	0.07	0.06

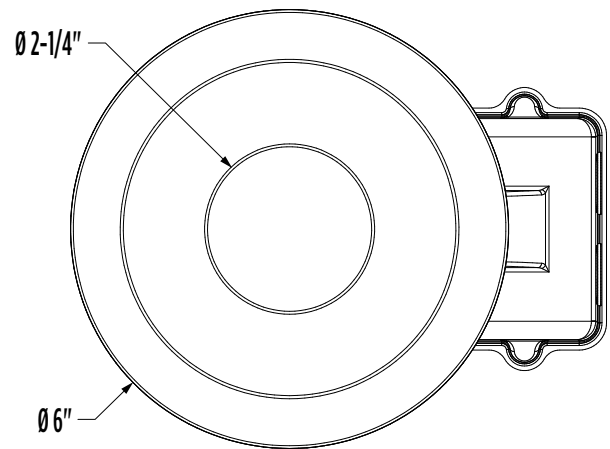
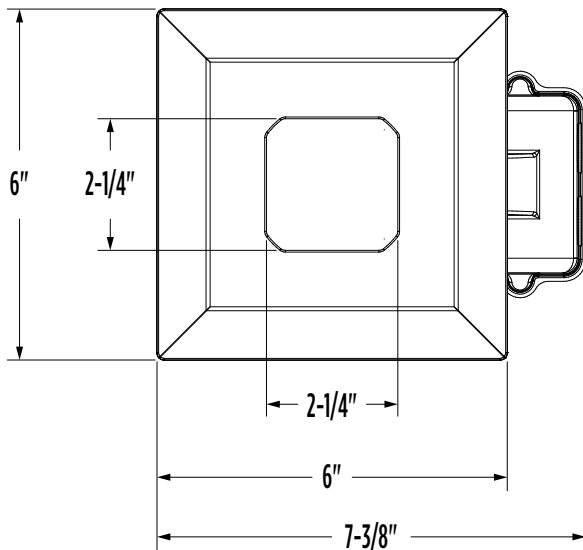
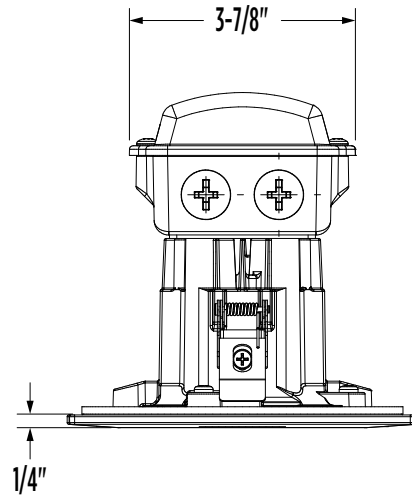
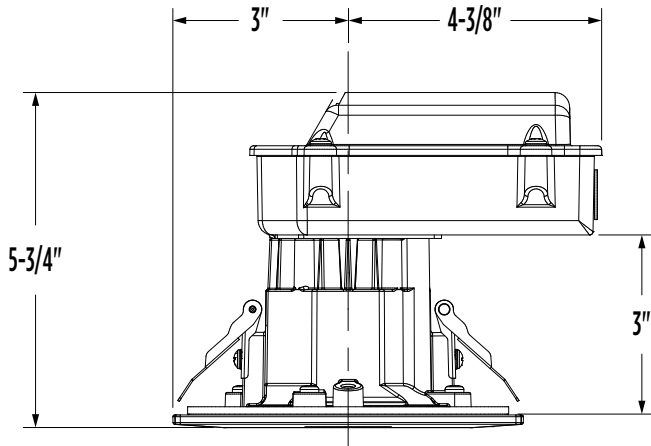
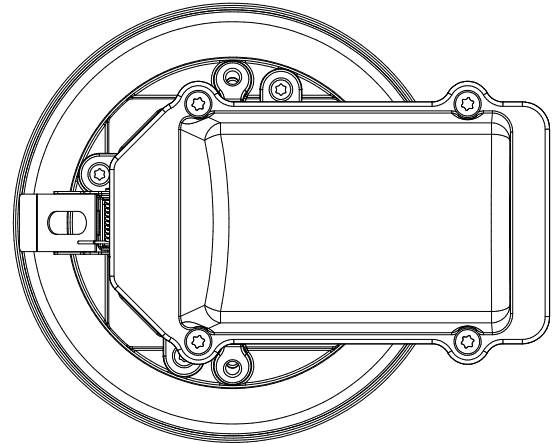
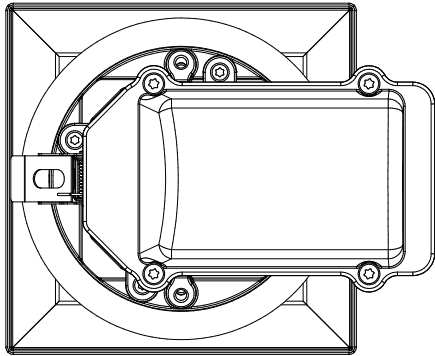
* Electrical data at 25°C (77°F). Actual wattage may differ by +/-10%

All-Weather Downlight (SFR) Open and Closed Ceilings

Type: _____

 Have questions? Call us at (800) 436-7800

PRODUCT DIMENSIONS



All-Weather Downlight (SFR) Open and Closed Ceilings

Type: _____

 Have questions? Call us at (800) 436-7800

PHOTOMETRICS

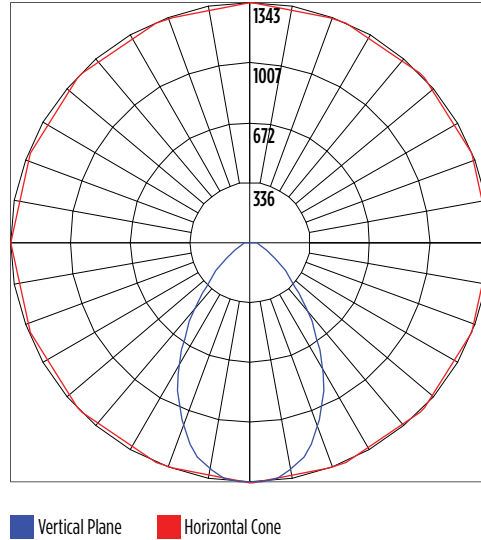
Luminaire photometry has been conducted by a NVLAP accredited testing laboratory in accordance with IESNA LM-79-08. As specified by IESNA LM-79-08 the entire luminaire is tested as the source resulting in a luminaire efficiency of 100%.

See the individual product page on <https://www.lsicorp.com/> for detailed photometric data.

SFR-4-F-10L-840-DFG-S-R

Zonal Lumen Summary		
Zone	Lumens	% Luminaire
0-20	465.16	24.3
0-30	905.63	47.3
0-40	1308.26	68.4
0-60	1754.78	91.7
0-80	1894.49	99
0-90	1913.55	100
10-90	1787.57	93.4
20-40	843.10	44.1
20-50	1124.40	58.8
40-70	538.33	28.1
60-80	139.71	7.3
70-80	47.91	2.5
80-90	19.06	1
90-110	0.00	0
90-120	0.00	0
90-130	0.00	0
90-150	0.00	0
90-180	0.00	0
110-180	0.00	0
0-180	1913.55	100

Polar Curve



SFR-4-F-20L-840-DFG-S-R

Zonal Lumen Summary		
Zone	Lumens	% Luminaire
0-20	505.01	24.3
0-30	983.21	47.3
0-40	1420.32	68.4
0-60	1905.00	91.7
0-80	2057.10	99
0-90	2077.92	100
10-90	1941.15	93.4
20-40	915.31	44
20-50	1220.65	58.7
40-70	584.52	28.1
60-80	152.10	7.3
70-80	52.26	2.5
80-90	20.83	1
90-110	0.00	0
90-120	0.00	0
90-130	0.00	0
90-150	0.00	0
90-180	0.00	0
110-180	0.00	0
0-180	2077.92	100

Polar Curve

