



# Peak Series High Bay - Low Glare (PSHB LG)

## Industrial & Commercial



### OVERVIEW

Lumen Package (lm)	12,000 - 54,000
Wattage Range (W)	92 - 427
Efficacy Range (LPW)	126 - 149
Weight lbs (kg)	9.6 - 27.8 (4.3 - 12.6)
Control Options	OMSx, IMSBTxL, ALBC(S), ALSC(S)

### QUICK LINKS

## FEATURES & SPECIFICATIONS

### Construction

- Rigid housing is die-formed steel.
- All metal parts are painted after fabrication following treatment with phosphate rust inhibitor. Finish coating of housing reflecting surfaces is with high-reflectance (minimum 92%) polyester powder.
- Quick wire access panel allows for easy power connections.
- Manufactured in the USA.

### Optical System

- Optical system available with low glare lenses available in 3 finishes (White, Black, or Silver) and 2 textures (Gloss or Matte). Please refer to the lens proration table specific performance and UGR data.
- Available in 3000K, 3500K, 4000K, and 5000K CCT. Contact factory for other CCT options.
- Minimum CRI of 80.

### Electrical

- Standard Universal Voltage (120-277 VAC) Input 50/60Hz or optional High Voltage (347-480 VAC).
- L70 Calculated Life: 100,000+ hours.
- High Efficiency Driver: minimum 85%.
- 0-10V dimming (1% - 100%) standard.
- Optional 120V-480V external emergency battery pack is available to meet critical life safety lighting requirements. The 90-minute batteries provide constant power to the LED system, ensuring code compliance. A test switch/indicator button is installed on the housing for ease of maintenance.

- Emergency battery backup available up to 30W output (see EM lumen output table for details).
- Operating temperature range -40C to 55C (-40F to 131F). Refer to ambient temperature table for specific units.
- Standard 6kV surge protection
  - 10kV surge protection optional.
  - All surge protection devices meet minimum Category C Low operation (per ANSI/IEEE C62.41.2).

### Controls

- Controls Options Include:
  - Simple Sensor PIR end mount motion sensor available (OMSx).
  - Basic Bluetooth integral passive infrared sensor (IMSBTxL) with bluetooth app available.
  - Airlink Blue integral controller (ALBC) or integral controller with motion & photo sensor (ALBCSx).

### Installation

- Mounting options include: hook cable mount (MCH), toggle cable mount (TCH - see application note below), pendant mount (PMK) or surface mount (SMK). See accessory table for appropriate mounting hardware ordering information.
  - For EM applications, it is highly recommended to choose the TCH cable mount option to allow for side-to-side adjustment when countering the weight of the external battery (EM/EMHV).
- To maintain ambient rating, installation height can not be lower than 12'.

### Warranty

- LSI luminaires carry a 5-year limited warranty. Refer to <https://www.isicorp.com/resources/terms-conditions-warranty/> for more information.

### Listings

- Listed to UL 1598 and UL 8750.
- Meets Buy American Act requirements.
- Title 24 Compliant; see local ordinance for qualification information.
- Suitable for damp locations.
- IK10 rated with polycarbonate lenses per IEC 66262 mechanical impact code.
- DesignLights Consortium® (DLC) qualified product. Not all versions of this product may be DLC qualified. Please check the DLC Qualified Products List at [www.designlights.org/QPL](http://www.designlights.org/QPL) to confirm which versions are qualified.
- Specifications and dimensions subject to change without notice.

# Peak Series High Bay - Low Glare (PSHB LG)

Type : \_\_\_\_\_

 **Have questions?** Call us at (800) 436-7800

## ORDERING GUIDE

### TYPICAL ORDER EXAMPLE: PSHB LG 2 24L MW D UNV 840 GWT OMS2 EM SP1

Prefix	Low Glare	Length	Lumen Package	Lens/Distribution	Optical Presets	Voltage	Color Rendering/Temperature	Finish
<b>PSHB</b> - Peak Series High Bay	<b>LG</b> - Low Glare	<b>2</b> - 2ft <b>4</b> - 4ft	<b>2 Foot</b> <b>12L</b> - 12,000 Lumens (2 row) <b>15L</b> - 15,000 Lumens (4 row) <b>18L</b> - 18,000 Lumens (4 row) <b>24L</b> - 24,000 Lumens (4 row) <b>27L</b> - 27,000 Lumens (4 row) <b>4 Foot</b> <b>36L</b> - 36,000 Lumens <sup>1</sup> (4 row) <b>48L</b> - 48,000 Lumens <sup>1</sup> (4 row) <b>54L</b> - 54,000 Lumens <sup>1</sup> (4 row) Custom Lumens packages available, please consult factory. Values are within industry standard tolerances and not DLC listed.	<b>MW</b> - Matte White Low Glare Lens <b>GW</b> - Gloss White Low Glare Lens <b>MB</b> - Matte Black Low Glare Lens <b>GB</b> - Gloss Black Low Glare Lens <b>MS</b> - Matte Silver Low Glare Lens <b>GS</b> - Gloss Silver Low Glare Lens	<b>D</b> - 0 Degrees - Downlight (Standard)	<b>UNV</b> - 120V-277V <b>HV</b> - 347V- 480V	<b>830</b> - 80CRI/3000K <b>835</b> - 80CRI/3500K <b>840</b> - 80CRI/4000K <b>850</b> - 80CRI/5000K	<b>GWT</b> - Gloss White <b>BLK</b> - Black <b>MSV</b> - Metallic Silver

Controls	EM Options	Options
<p><b>ALBC</b> - AirLink Blue Controller</p> <p><b>ALBCS2</b> - AirLink Blue Wireless Motion &amp; Photo Sensor Controller (25-40' mounting height)</p> <p><b>IMSBT2L</b> - Integral Bluetooth PIR Motion And Photo Sensor up to 40'</p> <p><b>OMS2</b> - External PIR Sensor up to 40'</p> <p><b>OMS2-480</b> - External PIR Sensor up to 40' for 480V applications</p> <p>*For low mounting height below 20ft, substitute "2" in nomenclature with "1"</p> <p>**For programming, please see "Sensors Sequence of Operations Charts"</p>	<p><b>EM</b> - Externally Side-Mounted Battery Backup (Wattage Varies By Lumen Package)<sup>4</sup></p> <p><b>EMHV</b> - Externally Side-Mounted 30W HV Battery Backup for Maximum Egress Lumens</p> <p>*Refer EM lumen output table for light output</p> <p>**For cable mount applications with EM, it is recommended to use the TCH10 toggle kit to balance the fixture horizontally</p>	<p><b>Standard</b> - 6" Dimming-Capable 5 Wire Leads</p> <p><b>EXT</b> - Extended Leads (36" Dimming-Capable 5 Wire Leads) on END</p> <p><b>CLDS</b> - Center Leads (36" Dimming-Capable 5 Wire Leads) on CENTER</p> <p><b>X6CN</b> - 6ft cord 16/3 non-dimming; no plug</p> <p><b>X6CD</b> - 6ft cord 16/5 dimming; no plug</p> <p><b>X10CN</b> - 10ft cord 16/3 non-dimming; no plug</p> <p><b>X10CD</b> - 10ft cord 16/5 dimming; no plug</p> <p>X needs to be either "E" or "C"</p> <p>*If Direct Mount - X can only be "E" (Side Mount)</p> <p>If Pendant or Suspended Mount - X can either be "E" (Side Mount) or "C" (Back Mount)</p> <p>To add a plug to a cord, include the catalog string for the plug after the cord.</p> <p>Plugs can only be used on non-dimming cords</p>



**Need more information?**  
[Click here for our glossary](#)

**Have additional questions?**  
Call us at (800) 436-7800



## ACCESSORY ORDERING INFORMATION

Part Number	Order Number	Description
572488	SHC	Single Hub Chain Mount
783379R4C	MCH10	10' Mini Hook Cable Hanger (2 per) - Up/Down adjustable and Left/Right adjustable
431373	TCH10	10' Toggle Hanger (2 Per) - Up/Down and Left/Right adjustable
767710	ACH	Single Hub/Aircraft Cable Mount
813349	PSHB/ZCL PMK	Pendant Mount J-Box Kit
813352	PSHB/ZCL SMK	Surface Mount Kit

Note: See product dimensions section for details.

1 Not available with 2ft fixture

2 For a 4 row configuration, only the 2 outside rows are rotated in the factory

3 For specific EM wattage requirements, please contact factory

4 EM/EMHV not available with ALSC controls options

5 EM units excluded from Job Packs and individually packaged

6 The Job Pack (JP) option has a minimum fixture quantity - refer to the pallet quantity table for details

# Peak Series High Bay - Low Glare (PSHB LG)

Type : \_\_\_\_\_

 Have questions? Call us at (800) 436-7800

## PERFORMANCE

Cord Application Notes							
		Not Dimming				Dimming	
		No Emergency or Controls	Emergency	Controls <sup>1</sup>	Emergency and Controls	No Emergency or Controls	Emergency
Switched Circuitry Using a Wall Switch to Dim <sup>2</sup>	Plug	Yes	No	Yes	No	No	No
	# of Cord Wires	3	4	3	4	5	6
Non-Switched Circuitry Using Controls to Dim <sup>3</sup>	Plug	Yes	Yes	Yes	Yes	No	No
	# of Cord Wires	3	3	3	3	5	6

Delivered Lumens <sup>4</sup>													
Size	Lumen Package	Lens Type	Length	# Rows	3000K CCT		3500K CCT		4000K CCT		5000K CCT		Wattage
					Delivered Lumens	Efficacy	Delivered Lumens	Efficacy	Delivered Lumens	Efficacy	Delivered Lumens	Efficacy	
2FT	12L	GW	2 ft	2	10,947	120	11,269	123	11,922	130	12,007	131	92
	15L	GW	2 ft	4	13,988	136	14,400	140	15,234	148	15,342	149	103
	18L	GW	2 ft	4	16,663	133	17,154	137	18,147	145	18,276	146	126
	24L	GW	2 ft	4	22,146	121	22,799	125	24,119	132	24,290	133	182
	27L	GW	2 ft	4	24,577	116	25,301	120	26,766	126	26,956	127	212
4FT	36L	GW	4 ft	4	33,252	132	34,232	136	36,214	144	36,471	145	251
	48L	GW	4 ft	4	44,272	121	45,576	125	48,215	132	48,557	133	366
	54L	GW	4 ft	4	49,562	116	51,022	119	53,977	126	54,360	127	427

Distribution Proration		
Lens Type	15L-27L	Typical UGR
MW	1.00	21
GW	1.00	20
MB	0.90	9
GB	0.91	9
MS	0.98	14
GS	1.01	9

Electrical Data - Current Draw AMPS <sup>5</sup>							
Lumen Package	Wattage	120V	208V	240V	277V	347V	480V
12L	92	0.76	0.44	0.38	0.33	0.26	0.19
15L	103	0.86	0.49	0.43	0.37	0.30	0.21
18L	126	1.05	0.60	0.52	0.45	0.36	0.26
24L	182	1.52	0.88	0.76	0.66	0.53	0.38
27L	212	1.76	1.02	0.88	0.76	0.61	0.44
36L	251	2.09	1.21	1.05	0.91	0.72	0.52
48L	366	3.05	1.76	1.53	1.32	1.05	0.76
54L	427	3.56	2.05	1.78	1.54	1.23	0.89

CRI PRORATION	
80	1.00

EM Output Lumens <sup>6,7</sup>				
Lumen Package	EM Lumens	Wattage <sup>8</sup>	EMHV	Wattage
12L	2,040	15	4,080	30
15L	2,040	15		
18L	2,040	15		
24L	4,080	30		
27L	4,080	30		
36L	4,080	30		
48L	4,080	30		
54L	4,080	30		

CCT PRORATION	
4000	1.00
5000	1.01
3000	0.92
3500	0.95

**Note:** Fixture ambient temperature limited to 30C (86F) when equipped with EM Options.

Ambient Temperature Rating		
Lumen Package	Surface Mount °C	Suspended °C
12L	45C	60C
15L	45C	55C
18L	45C	55C
24L	45C	55C
30L	45C	55C
36L	45C	55C
48L	45C	55C
54L	45C	55C

- External dim leads not available with controls.
- Switched circuitry uses an external switched device to control dimming and requires a second hot to operate the EM.
- Non-switched circuitry uses controls to operate dimming and can be ordered with battery, cord and plug. Battery is fed by the primary incoming hot.
- LED Chips are frequently updated therefore values are nominal.

- Electrical data at 25C (77F). Actual wattage may differ by +/-10%.
- Based on 180 LPW.
- Fixture ambient temperature limited to 30C (86F) when equipped with EM Options.
- EM wattage based on max input watts per manufacturer

# Peak Series High Bay - Low Glare (PSHB LG)

Type : \_\_\_\_\_

 Have questions? Call us at (800) 436-7800

## PERFORMANCE

Recommended Lumen Maintenance <sup>1</sup> - PSHB LG 2 18L					
Ambient Temperature °C	Initial <sup>2</sup>	25k hr <sup>2</sup>	50k hr <sup>2</sup>	75k hr <sup>3</sup>	100k hr <sup>3</sup>
0	100%	96%	92%	88%	84%
10	100%	96%	92%	88%	84%
20	100%	96%	91%	87%	83%
25	100%	96%	91%	87%	83%
30	100%	95%	91%	86%	82%
40	100%	95%	90%	85%	80%
50	100%	94%	89%	84%	79%
55	100%	94%	88%	83%	78%

Recommended Lumen Maintenance <sup>1</sup> - PSHB LG 2 36L					
Ambient Temperature °C	Initial <sup>2</sup>	25k hr <sup>2</sup>	50k hr <sup>2</sup>	75k hr <sup>3</sup>	100k hr <sup>3</sup>
0	100%	96%	92%	88%	84%
10	100%	96%	92%	88%	84%
20	100%	96%	91%	87%	83%
25	100%	96%	91%	86%	82%
30	100%	95%	90%	86%	82%
40	100%	95%	90%	85%	80%
50	100%	94%	89%	83%	78%

1 Lumen maintenance values at 40C are calculated per TM-21 based on LM-80 data and in-situ testing.

2 In accordance with IESNA TM-21-11, Projected Values represent interpolated value based on time durations that are within six times the IESNA LM-80-08 total test duration for the device under testing.

3 In accordance with IESNA TM-21-11, Calculated Values represent time durations that exceed six times the IESNA LM-80-08 total test duration for the device under testing.

# Peak Series High Bay - Low Glare (PSHB LG)

Type : \_\_\_\_\_

 Have questions? Call us at (800) 436-7800

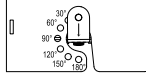
## PHOTOMETRICS

Luminaire photometry has been conducted by a NVLAP accredited testing laboratory in accordance with IESNA LM-79-08. As specified by IESNA LM-79-08 the entire luminaire is tested as the source resulting in a luminaire efficiency of 100%.

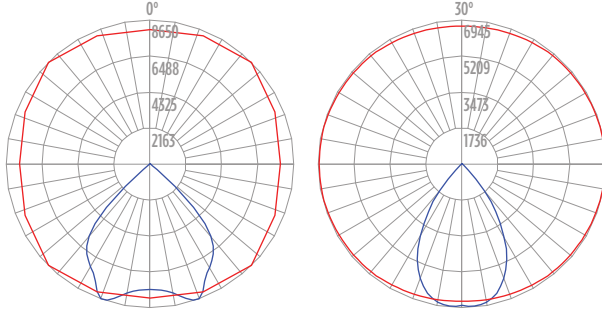
See the individual product page on <https://www.lsicorp.com/> for detailed photometric data.

### Optical Distributions for PSHB LG 2 12L

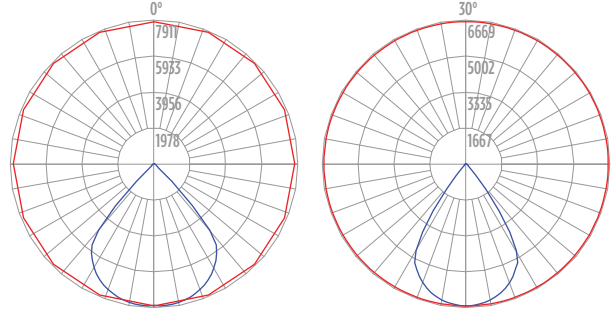
0 Deg Rotated (D)



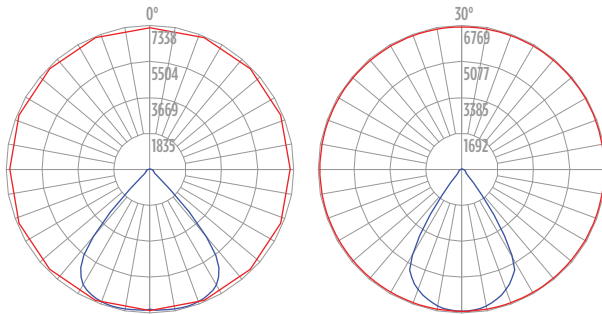
Gloss Silver (GS)



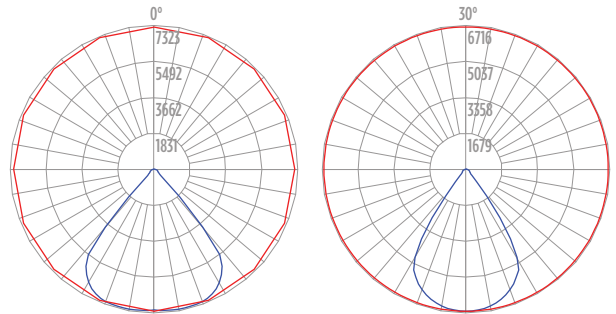
Matte Silver (MS)



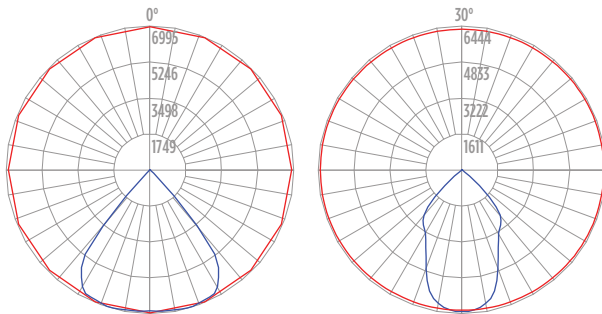
Gloss White (GW)



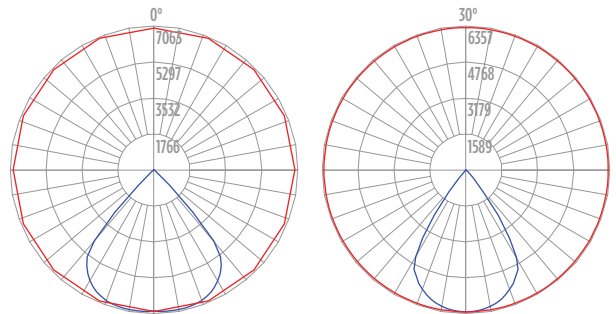
Matte White (MW)



Gloss Black (GB)



Matte Black (MB)



 Vertical Plane  Horizontal Cone

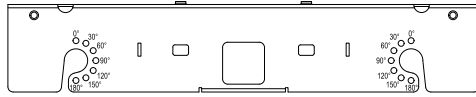
# Peak Series High Bay - Low Glare (PSHB LG)

Type : \_\_\_\_\_

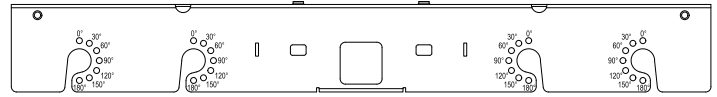
Have questions? Call us at (800) 436-7800

## PRODUCT DIMENSIONS

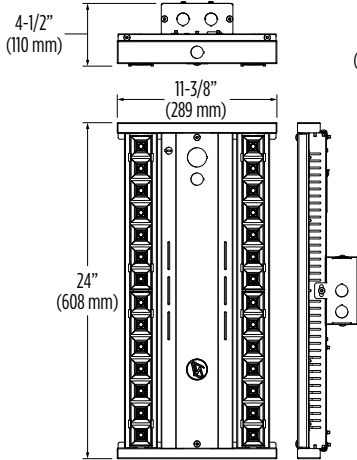
**Peak Series High Bay Low Glare, 2 Row**  
(PSHB LG 12L-18L)



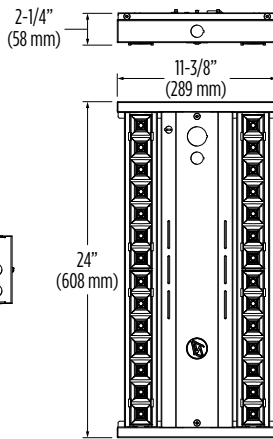
**Peak Series High Bay Low Glare, 4 Row**  
(PSHB LG 24L-60L)



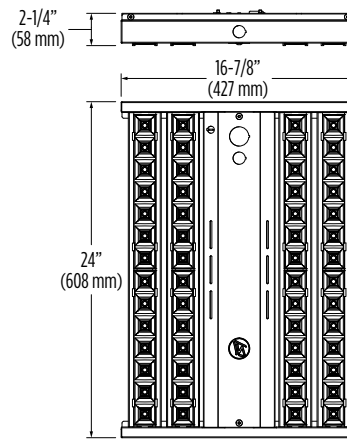
**Peak Series High Bay Low Glare, 2ft, 2 Row with Pendant Mount J-Box Kit**  
(PSHB LG 2 12L PMK)



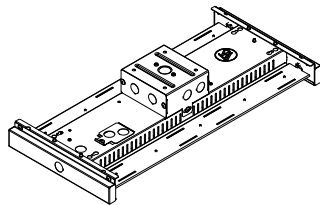
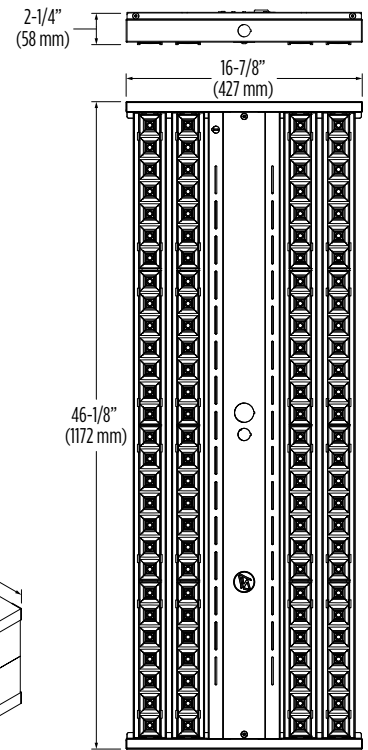
**Peak Series High Bay Low Glare, 2ft, 2 Row**  
(PSHB LG 2 12L)



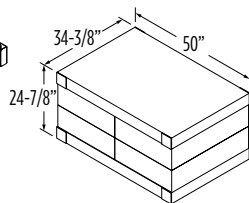
**Peak Series High Bay Low Glare, 2ft, 4 Row**  
(PSHB LG 2 15L-27L)



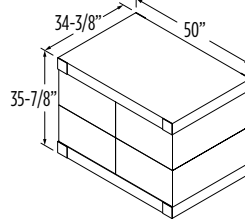
**Peak Series High Bay Low Glare, 4ft, 4 Row**  
(PSHB LG 4 36L-54L)



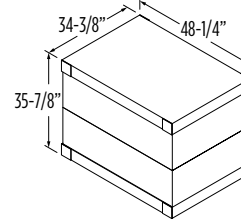
**PSHB LG 12L/15L/18L**  
1 Pallet Position



**PSHB LG 24L/30L/36L**  
1 Pallet Position



**PSHB LG 48L/54L**  
1 Pallet Position



Shipping Weights - lbs (kg)	
PSHB LG 2 12L	9.6 (4.3)
PSHB LG 2 15L-27L	14.4 (6.5)
PSHB LG 4 36L-54L	27.8 (12.6)
EM	Add 4.2 (1.9)

Pallet Quantity				
Length (ft)	# of Rows	Lumen Package	Individual Box	Job Pack
2	2	12L/15L/18L	36	48 (min. 24 for JP)
2	4	24L/30L/36L	36	48 (min. 24 for JP)
4	2	48L/60L/72L	18	24 (min. 12 for JP)

# Peak Series High Bay - Low Glare (PSHB LG)

Type : \_\_\_\_\_

 **Have questions?** Call us at (800) 436-7800

## CONTROLS

### Integral Bluetooth™ Motion and Photocell Sensor (IMSBTxL)

Slim low profile sensor provides multi-level control based on motion and/or daylight. Sensor controls 0-10 VDC LED drivers and is IP66 rated for cold and wet locations (-40°F to 167°F). Two unique PIR lenses are available and used based on fixture mounting height. All control parameters are adjustable via an iOS or Android App capable of storing and transmitting sensor profiles.

[Click here to learn more details about IMSBT](#)



LEVITON App



Apple



Android

### AirLink Blue (ALBCSx)

Wireless Bluetooth Mesh Outdoor Lighting Control System that provides energy savings, code compliance and enhanced safety/security for parking lots and parking garages. Three key components; Bluetooth wireless radio/sensor controller, Time Keeper and an iOS App. Capable of grouping multiple fixtures and sensors as well as scheduling time-based events by zone. Radio/Sensor Controller is factory integrated into Area/ Site, Wall Mounted, Parking Garage and Canopy luminaires.

[Click here to learn more details about AirLink Blue](#)



AirLink Blue App



Apple

### Sensor Sequence of Operations

Standard Programming	On Event	Off Event	On Light Level	Dim Light Level	Daylight Harvesting	Delay To Off	Sensitivity
OMSBTxL/IMSBTxL	Motion	No Motion	100%	N/A	On; Auto Calibration	20 minutes	High
OMSx	Motion	No Motion	N/A	N/A	N/A	30 seconds	Auto

Operation	Description
<b>On Event</b>	Trigger that activates lights to turn on; either automatic via motion detected or manually activated via push of button.
<b>Off Event</b>	Trigger that activates lights to turn off; either automatic via no motion detected or manually activated via push of button.
<b>On Light Level</b>	The light level that the fixtures will turn on to when ON EVENT occurs.
<b>Dim Light Level</b>	The light level that the fixtures will dim down to when no motion is detected.
<b>Delay to Dim</b>	The amount of time after which no motion is detected that the fixtures will be triggered to dim down. This sequence is optional, and sensor can be programmed to only trigger the fixture to turn off by entering 100% in this field.
<b>Delay to Off</b>	The amount of time after which no motion is detected that the fixtures will be triggered to turn off. If delay to dim is part of the programmed functionality, this is the amount of time after which no motion is detected after the fixture have already dimmed down.
<b>Sensitivity</b>	The sensitivity can be set to high, medium, low, or auto where applicable. High will detect smaller, simple motions. Low will only detect larger more complex motions. Auto temperature calibration adjusts the PIR sensitivity as ambient temperature rises to increase detection of heat movement through the field of view.