

Installation and Assembly Instructions Opulence (OPS) Series

⚠ WARNING

Risk of fire, electric shock, injury or property damage

Risk of electric shock--Disconnect power to equipment before installing or servicing.
This equipment must be installed according to all applicable codes & ordinances.
Installation and service of this equipment must be performed by qualified service personnel.
Do not install damaged equipment.
Read these instructions before installing, servicing or maintaining this equipment.
Save these instructions for maintaining and servicing.

⚠ CAUTION

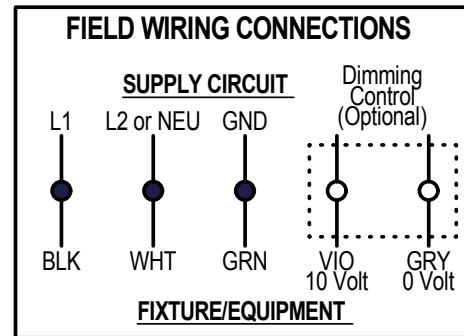
Failure to follow instructions or altering equipment could result in damage and void warranty.
Edges may cut--wear gloves while handling or servicing this equipment.
Inspect equipment for damage from shipping and handling.

LUMINAIRE PREPARATION

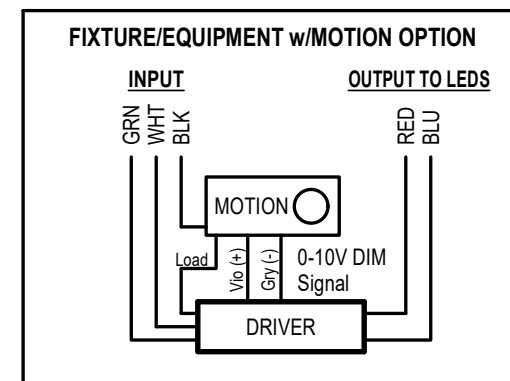
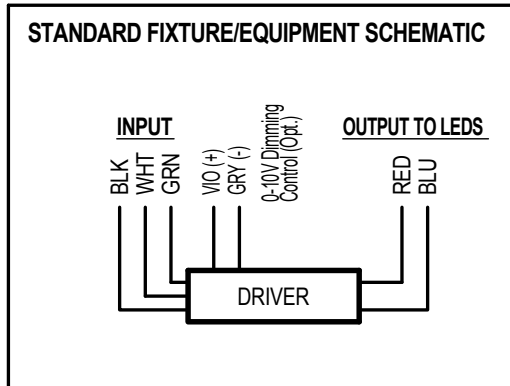
1. Remove the luminaire from the carton and inspect luminaire for damage. Do not install a damaged luminaire.
2. Identify which model has been ordered and determine mounting method--pendant or direct mount--for appropriate mounting instructions see appropriate section.

WIRING INFORMATION

Red Wire is for Battery Back-Up option. Connect to 120-277V un-switched power source otherwise cap off wire if option wasn't ordered.



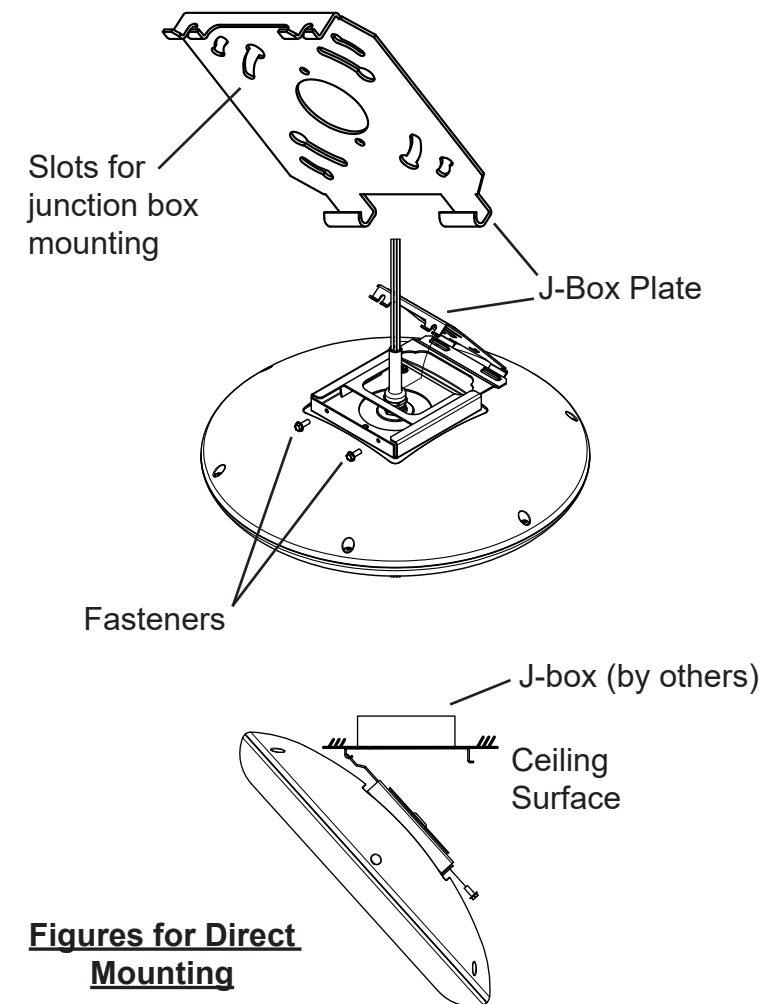
Integral Bluetooth Motion and Photocell Sensor Option – IMSBT
The sensor configuration app is available for both iOS and Android devices. Search the APP Store for LSI sensor configuration and download. It is used to set up a password, change default settings and testing. If no password is set within 7 days of the sensor being powered up it will need to be reset. For complete details download the LSI Sensor Config App User Guide <https://www.lsi-industries.com>



Installation and Assembly Instructions Opulence (OPS) Series

Steps for Direct Mounting

1. Remove j-box plate from luminaire and attach to junction box (junction box and fasteners provided by others).
2. Hang fixture from j-box plate in preparation for wiring.
3. Make wiring connections and position wire nut branch connections inside junction box.
4. Swing fixture closed and tighten two fasteners completing fixture installation.



Steps for Pendant Mounting

1. Luminaire is provided with a 3/4" pipe threads for pendant hanging. Materials for pendant hanging provided by others.
2. Feed wires through 3/4" conduit (provided by others). Thread and tighten conduit into 3/4" threads. **Make sure threads are sealed with appropriate tape/sealant preventing moisture/water entry!**
3. Pendant or Conduit Hanging from junction box determined and provided by others. *For optional Birdguard, Slide Birdguard over conduit.*
4. Wiring connections made in junction box provided by others.

