

Lifestyle Series XDLS

Installation and Assembly Instructions



WARNING

Risk of fire, electric shock, injury, or property damage

Risk of electric shock--Disconnect power to equipment before installing or servicing.
This equipment must be installed according to all applicable codes & ordinances.
Installation and service of this equipment must be performed by qualified service personnel.
Do not install damaged equipment.
Read these instructions before installing, servicing, or maintaining this equipment.
Save these instructions for maintaining and servicing.

CAUTION

Failure to follow instructions or altering equipment could result in damage and void warranty.
Edges may cut--wear gloves while handling or servicing this equipment.
Inspect equipment for damage from shipping and handling.

LUMINAIRE PREPARATION

1. Remove the shield from the carton and inspect for damage. Do not install a damaged shield.
2. Identify which model has been ordered and determine mounting method for appropriate mounting instructions on the following pages.

MOUNTING

Make sure supply power is **OFF** prior to installation. Installing with live supply voltage can damage electronics and void fixture warranty.

Note: Packaging materials should be used to protect paint finish when assembling fixture and mounting bracket on parking lot surface or ground.

Ensure the kit comes with the following items:

- (1) Shield
- (3) #10 Torx Screws
- (1) Installation Instruction Sheet

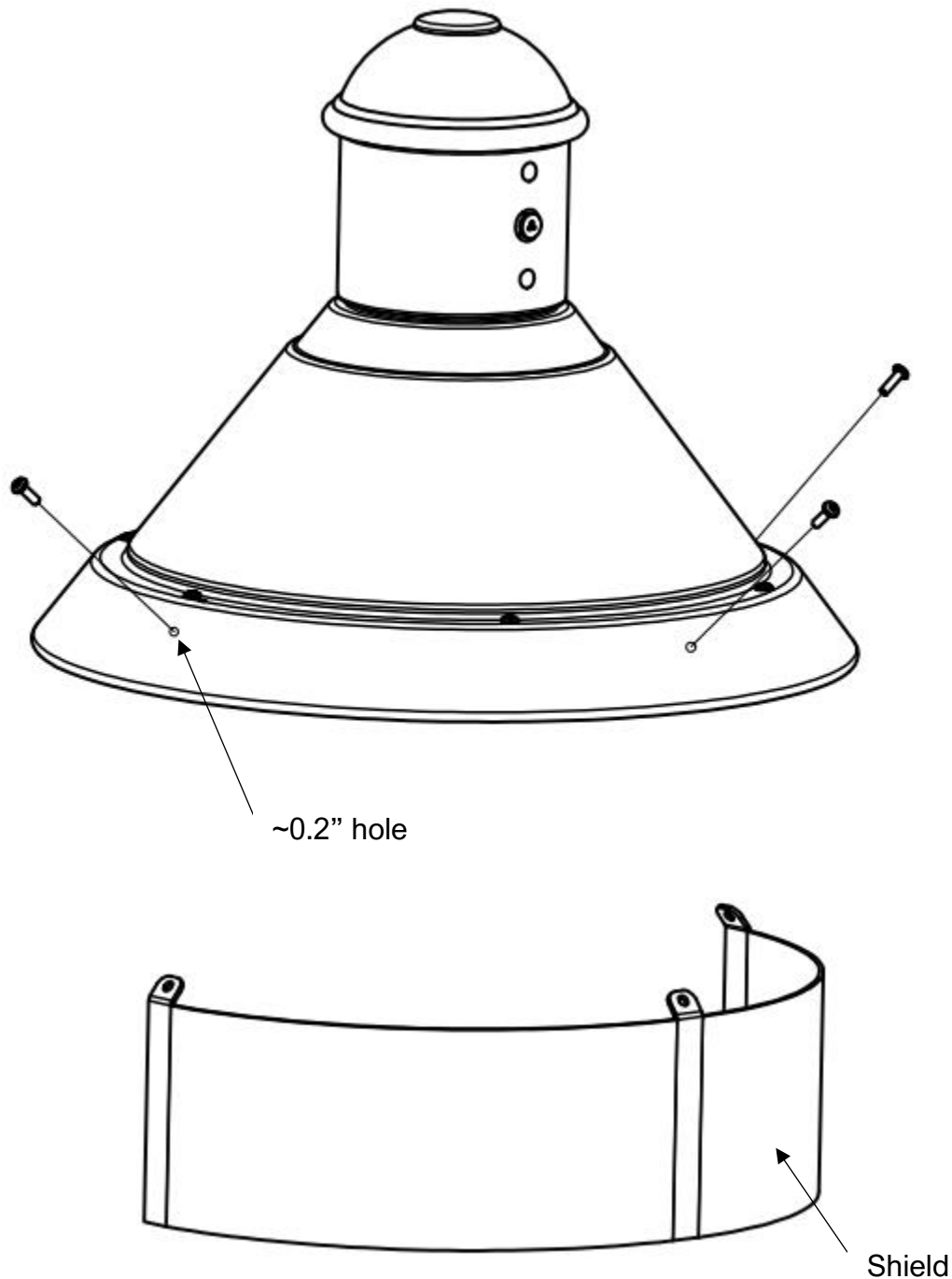
Tools Required: ~0.2" Drill Bit, T20 Torx Drill Bit

Lifestyle Series XDLS

Installation and Assembly Instructions

Instructions:

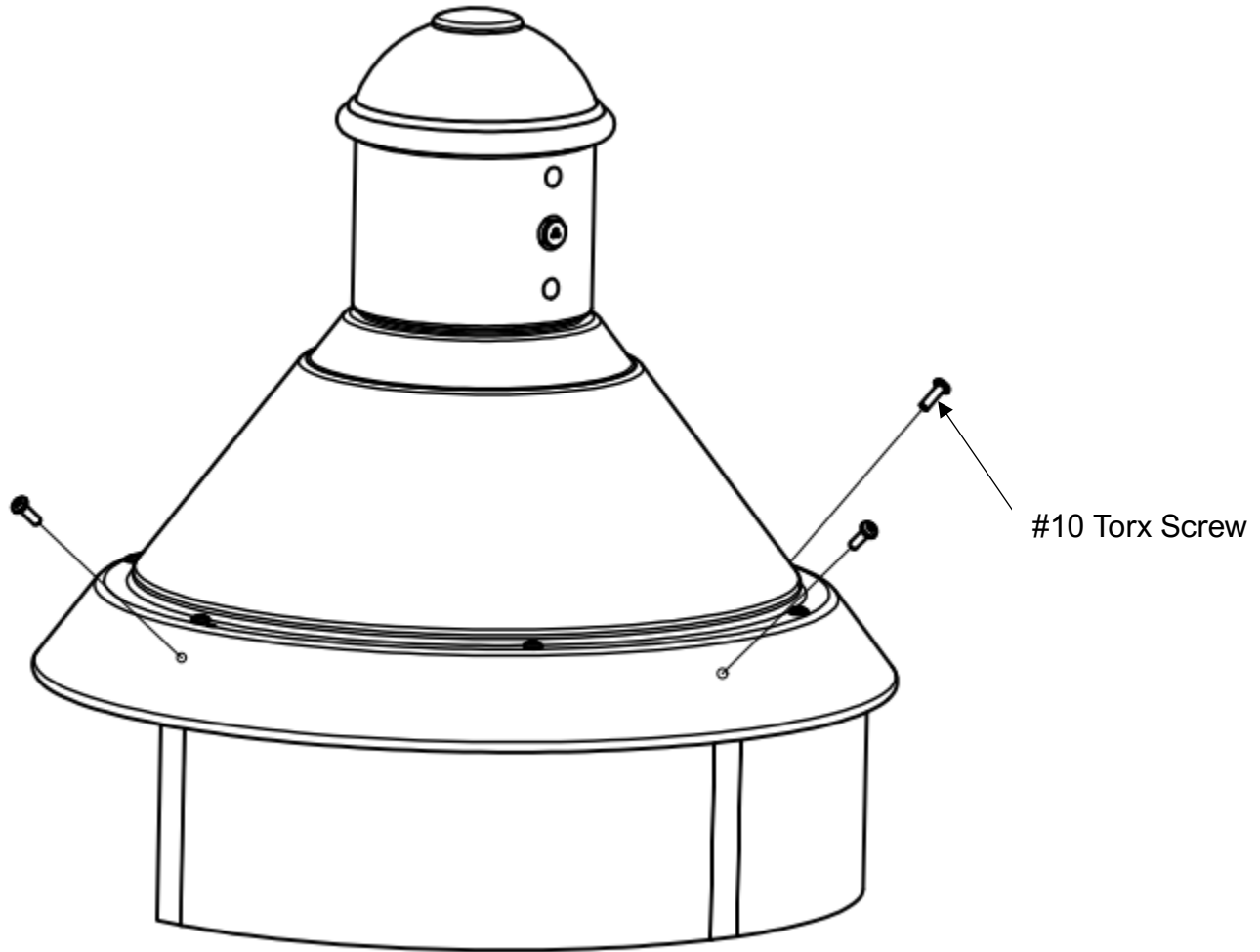
1. Align shield to desired orientation to determine direction of light output.
2. Drill three holes using ~0.2" drill bit to align with shield.



Lifestyle Series XDLS

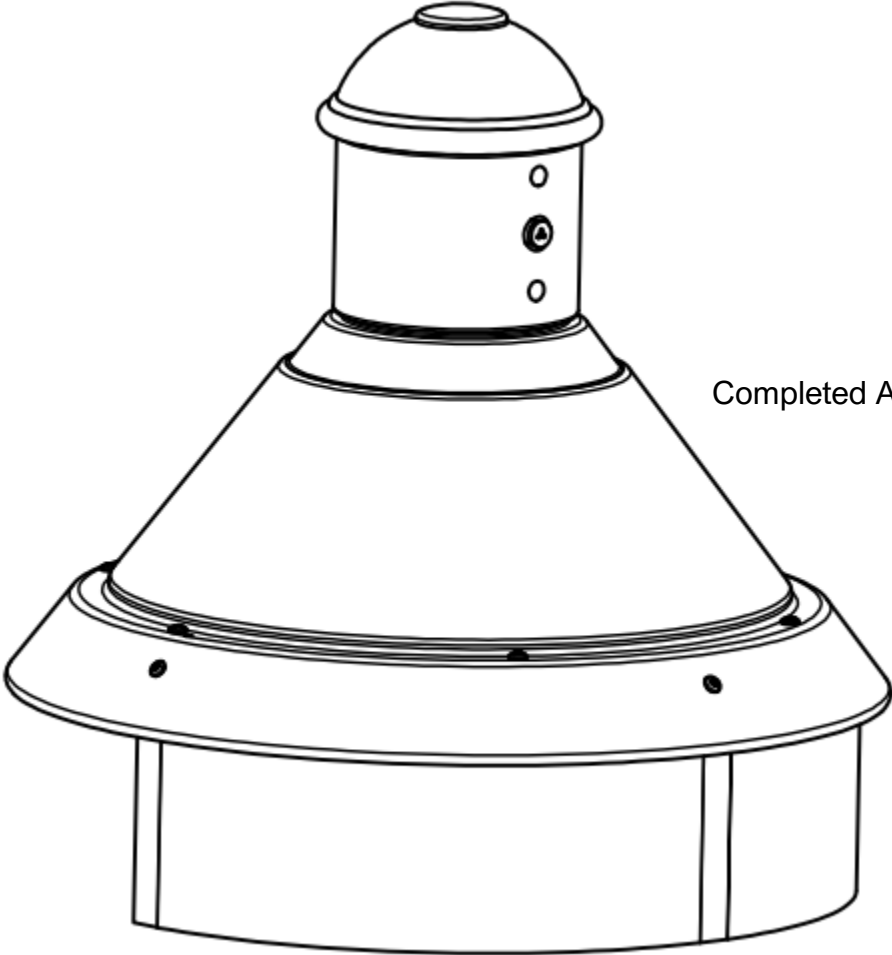
Installation and Assembly Instructions

1. Insert three 10-24x3/8 Torx screws through the fixture and into the shield. Torque to 20 in-lbs.



Lifestyle Series XDLS

Installation and Assembly Instructions



Completed Assembly