

Quick Ship Aluminum Poles



Ready • Rapid • Reliable

Custom poles that move your project forward—FAST

The LSI Quick-Ship Aluminum Pole is the best-in-class solution for projects that demand speed and customization.

LSI understands that no two projects are the same—off-the shelf distributor options rarely meet strict requirements, and traditional custom manufacturers often require lead times of more than two months. Now, LSI delivers the best of both worlds with made-to-order aluminum poles shipping in as little as **two weeks**, combining flexibility, quality, and speed for every application.

Our Offerings

4SQA - Up to 20' (All 4SQA poles are 0.125" wall thickness)

5SQA - Up to 25' (All 5SQA poles are 0.188" wall thickness)

4RPA - Up to 16' (All 4RPA poles are 0.125" wall thickness)

5RPA - Up to 20' (All 5RPA poles are 0.188" wall thickness)



Height cut to order to meet your project needs.

Multiple wall thicknesses designed for your projects unique specs.

How to Order

Ordering an LSI quick ship aluminum pole is simple.

All you need to do is list "QS" at the end of your compatible pole part number.

Example - 4SQA B3 A125 15 S BLK QS

Note: 4SQA denotes a 4" square aluminum pole.



Taking Orders Now

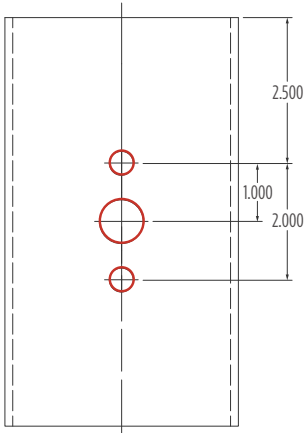
Inventory Based On First In First Out Order. Contact your RSM.



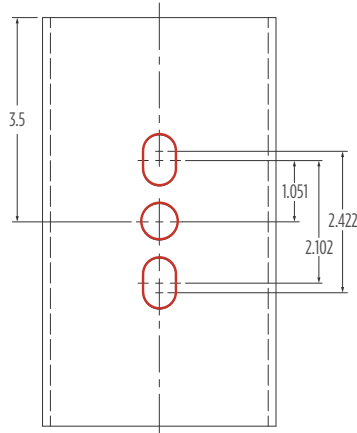


LSI Quick Ship Aluminum Poles utilize one single drill pattern that consolidates the B2 and B3 patterns reducing confusion and giving your customers more flexibility.

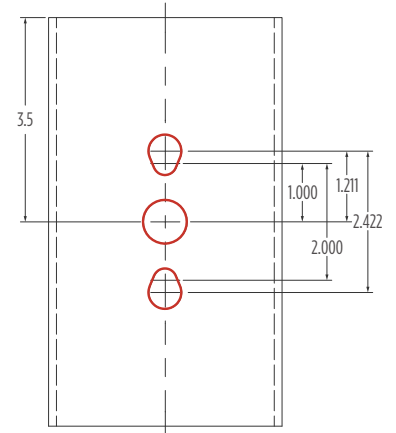
Current B2 and B3 Patterns



B2



B3



The NEW B3 Pattern

Finishes

Just like LSI steel poles, our Quick Ship Aluminum poles are powder coated in our Cincinnati Ohio facility and can be furnished in each of our eight standard colors



Textured Black



Textured Dark Bronze



Graphite



Gun Metal Gray



Metallic Silver



Platinum Plus



Satin Verde Green



Textured White



Aluminum's natural corrosion resistance makes these poles an ideal choice for coastal environments, or anywhere longevity is critical.

