



SLF SERIES INSTALLATION AND ASSEMBLY INSTRUCTIONS

WARNING

Risk of fire, electric shock, injury or property damage

Risk of electric shock--Disconnect power to equipment before installing or servicing.

This equipment must be installed according to all applicable codes & ordinances.

Installation and service of this equipment must be performed by qualified service personnel.

Do not install damaged equipment.

Read these instructions before installing, servicing or maintaining this equipment.

Save these instructions for maintaining and servicing.

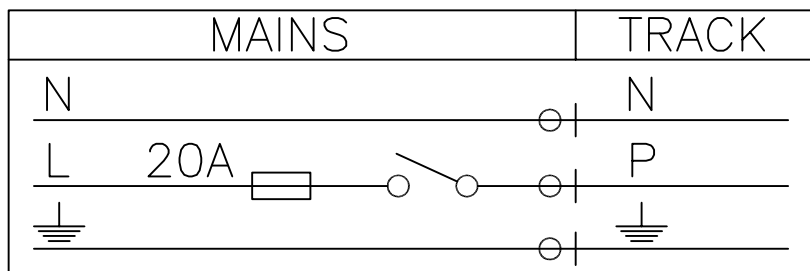
CAUTION

Failure to follow instructions or altering equipment could result in damage and void warranty.

Edges may cut--wear gloves while handling or servicing this equipment.

Inspect equipment for damage from shipping and handling.

STANDARD TRACK WIRING CONNECTIONS



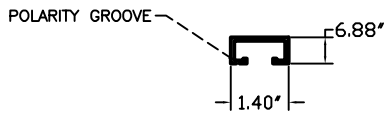
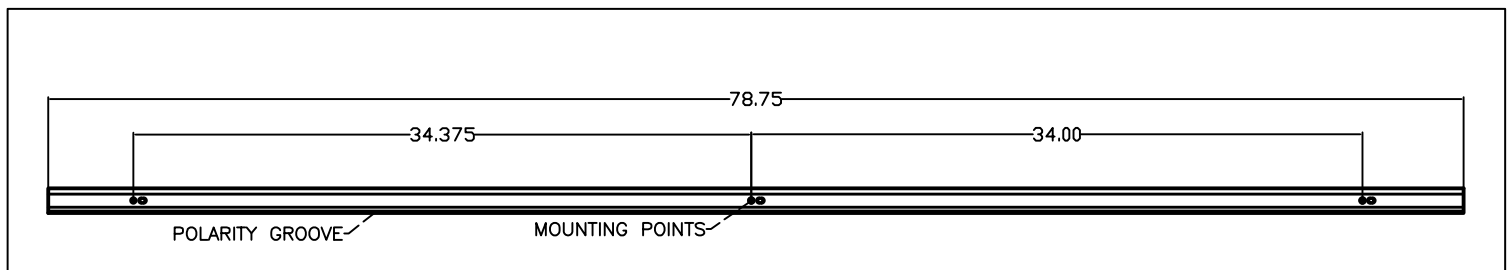


IMPORTANT SAFETY INSTRUCTIONS

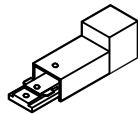
When installing or using this track system, basic safety precautions should always be followed, including the following:

- 1) Read all instructions.
- 2) Do not install this track in damp or wet locations.
- 3) Do not install any part of track system less than 5ft. above the floor.
- 4) Do not install any fixture assembly closer than 6in. from any curtain or similar combustible material.
- 5) Disconnect electrical power before adding or changing the configuration of the track.
- 6) Do not attempt to energize anything other than lighting track fixtures on the track. To reduce the risk of fire and electrical shock, do not attempt to connect power tools, extension cords, appliances, and the like to the track.
- 7) Track system is not intended for use with power supply cord or convenience receptacle adapter.
- 8) The Track system is to be supplied by a single 120V branch circuit.

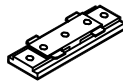
SAVE THESE INSTRUCTIONS



TRACK 2 METER LSI P/N 758624



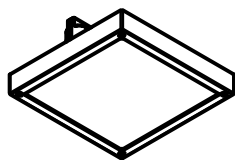
LIVE END FEED
LSI P/N 758625



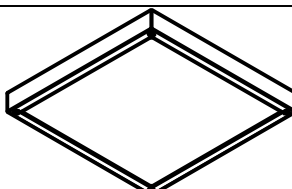
MINI CONNECTOR
LSI P/N 758626



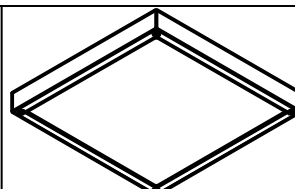
AC CABLE KIT
LSI P/N 758631



SLE 9X9 ELEMENT
LSI P/N 756703



SLE 12X12 ELEMENT
LSI P/N 756704



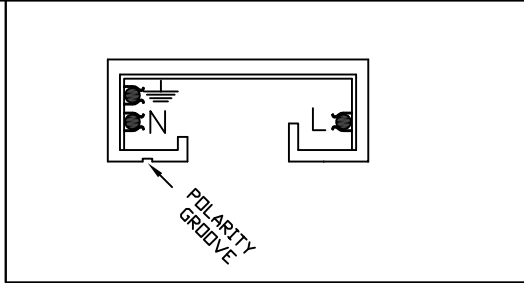
SLE 18X18 ELEMENT
LSI P/N 756705





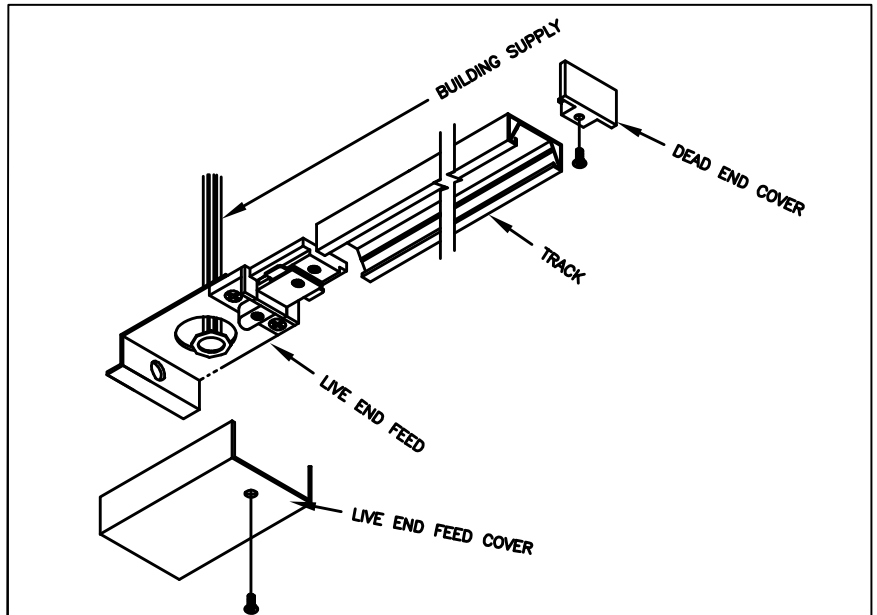
SLF SERIES INSTALLATION AND ASSEMBLY INSTRUCTIONS

(1) UNPACK TRACK SECTION(S):



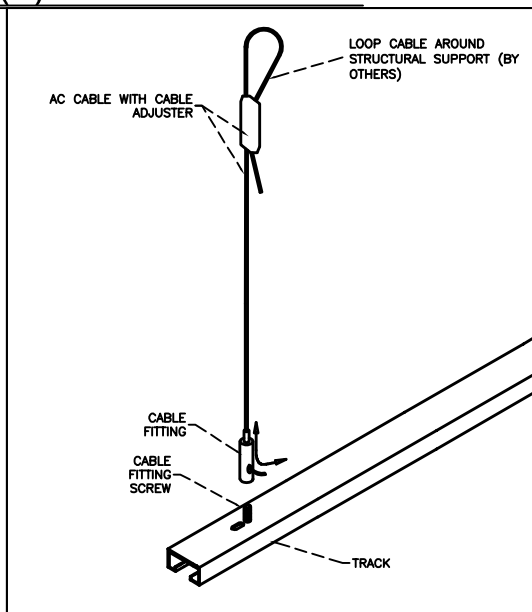
(3) INSTALL FEEDS:

(Note: Typical end feed configuration shown. See instructions included with individual feeds.)

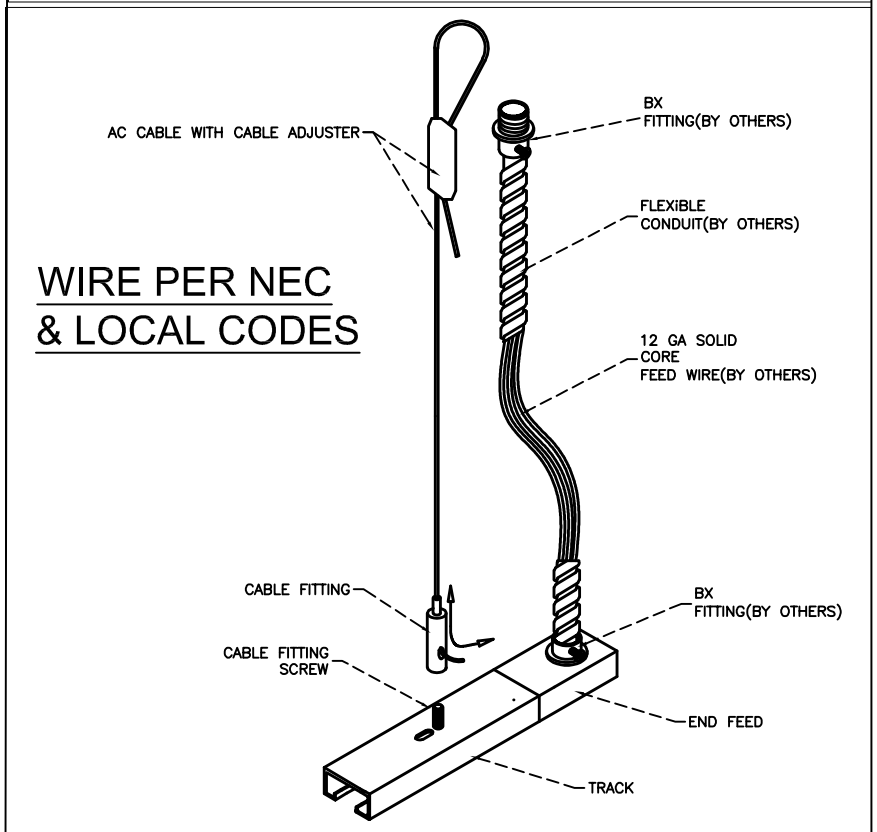


- [1] Insert the Feed into the track. Make sure the polarity on the Feed is aligned with the polarity on the track.
- [2] Lock the Feed into the track using the integral screw provided.
- [3] Insert the dead end cover into open ends of the track configuration and secure with the screw provided.

(2) MOUNT TRACK:



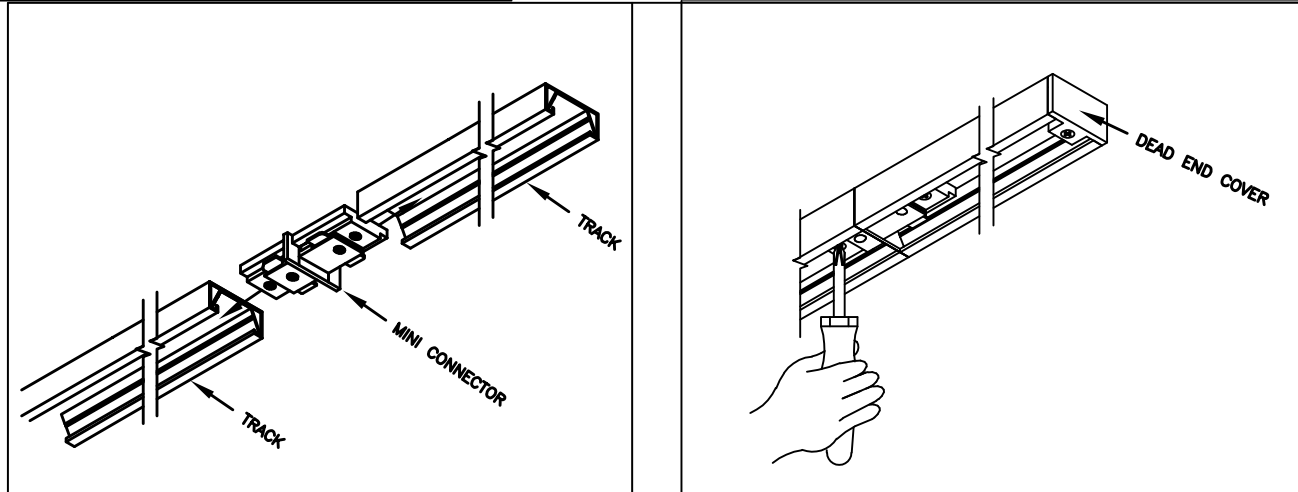
SECURE PROVIDED CABLE KIT TO STRUCTURAL SUPPORT(BY OTHERS). SECURE CABLE FITTING TO TRACK USING SCREWS PROVIDED WITH FITTINGS. !THREE MOUNTING POINTS PER TRACK!





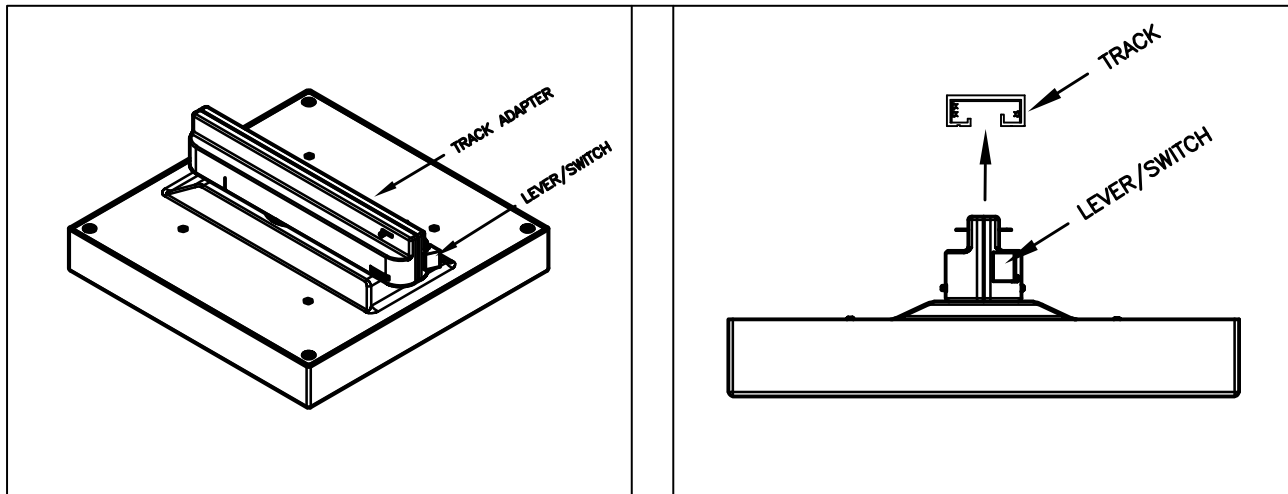
SLF SERIES INSTALLATION AND ASSEMBLY INSTRUCTIONS

(4) INSTALL CONNECTORS:



- [1] Insert the connector into the track. Make sure the polarity on the connector is aligned with the polarity on the track.
Make sure polarity grooves on track line up.
- [2] Lock the connector into the track using the integral screw provided.
- [3] Repeat until the configuration is complete.
- [4] Insert the dead end cover into open ends of the track configuration and secure with the screw provided.

(5) INSTALL ELEMENTS:



- 1) INSERT ELEMENT TRACK ADAPTER INTO TRACK.
- 2) USE SWITCH/LEVER ON ADAPTER TO LOCK INTO TRACK.
! ELEMENT ITSELF DOES NOT HAVE TO BE ROTATED TO LOCK INTO TRACK!

