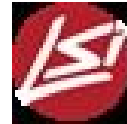


HDL SERIES DOWNLIGHT INSTALLATION INSTRUCTIONS



IMPORTANT

READ CAREFULLY BEFORE INSTALLING FIXTURE. RETAIN THESE INSTRUCTIONS FOR FUTURE REFERENCE.

The downlight must be wired in accordance with the National Electrical Code and all applicable local codes. Proper grounding is required for safety. **THIS PRODUCT MUST BE INSTALLED IN ACCORDANCE WITH THE APPLICABLE INSTALLATION CODE BY A PERSON FAMILIAR WITH THE CONSTRUCTION AND OPERATION OF THE PRODUCT AND THE HAZARDS INVOLVED.**

WARNING: Make sure the power is OFF before installing or maintaining the fixture. There are no user-serviceable parts inside. The ceiling cut-out must be free of any debris and burrs.

STEPS:

- 1 Please strictly follow the instructions during installation. Improper installation might cause electric shock or injury, including death.
- 2 To ensure safety, please authorize an electrical professional to install, repair, and maintain the lamp. It is dangerous for non-professionals to operate.
- 3 Connect the Luminaire to the external constant current first before connecting to the high-voltage Alternating Current for lighting.
- 4 Do not release the Luminaire until it is fully secured (make sure it won't fall down) to avoid it falling.
- 5 The Luminaire rough-in should be sized correctly. If it is too big or too small, it can lead to the Luminaire dropping out or not fitting properly.
- 6 Please do not modify the structure of the Luminaire or replace spare parts randomly to prevent accidents.
- 7 Don't install the Luminaire in the open air, tilt place or objects that are not solid and reliable. It should be installed on the ceiling, which should be firm enough to bear the weight of more than five times of the Luminaire itself.
- 8 Do not install the Luminaire on the top of hot objects as stove, gas, and exhaust funnel to avoid damage of the lamp.
- 9 Don't parallel the dimmer, dimmer controls, sensors to avoid electrical fault.
- 10 Ensure the Luminaire has at least 75mm of ventilation around it. The space height between the ceiling and the roof must be higher than 20mm above the Luminaire height, and ensure the use of the Luminaire does not violate any fire regulations.
- 11 Please do not face the Luminaire for a long time when it's on to protect eyes.
- 12 If the Luminaire does not work, check whether the line is connected and whether the power is turned on. Otherwise, it needs maintenance.
- 13 Cut off the power and contact the retailer for maintenance if the Luminaire does not work properly.
- 14 If the external flexible cable or cord of this luminaire is damaged, the cord must be replaced by the manufacturer, its service agent, or a similarly qualified person to avoid danger.
- 15 The Luminaire is not to be covered by thermal insulation material.

INSTALLATION DIAGRAM

- 1 Connect the GROUND wire from fixture to supply ground. (Fig: 1)
- 2 Take out the Reflector, Put the lamp into the hole. (Fig: 2)
- 3 Adjust the spring using the screw driver. Make sure the spring is fixed to the ceiling. Put back the Reflector. (Fig: 3)
- 4 After you are finished, then switch on the power. (Fig: 4)

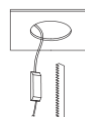


Fig: 1

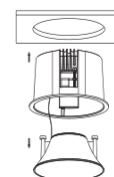


Fig: 2

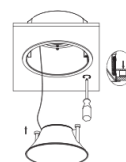
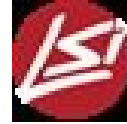


Fig: 3

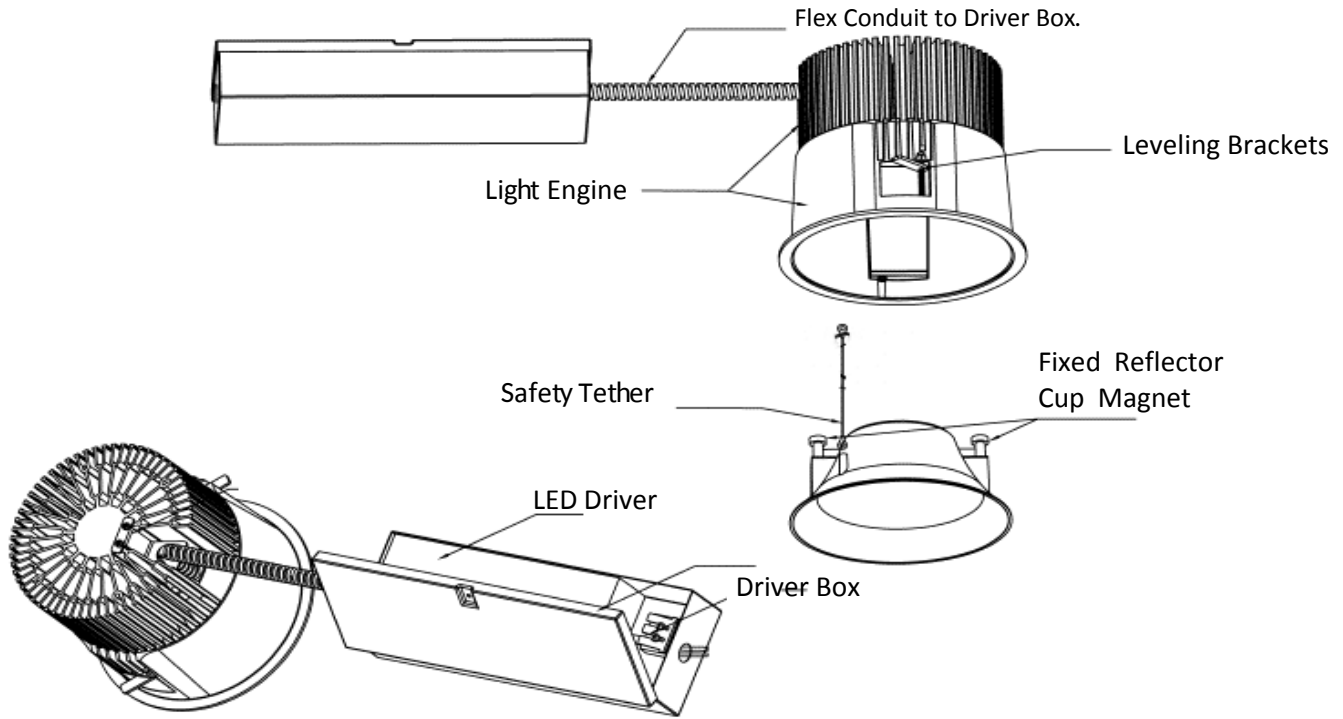


Fig: 4

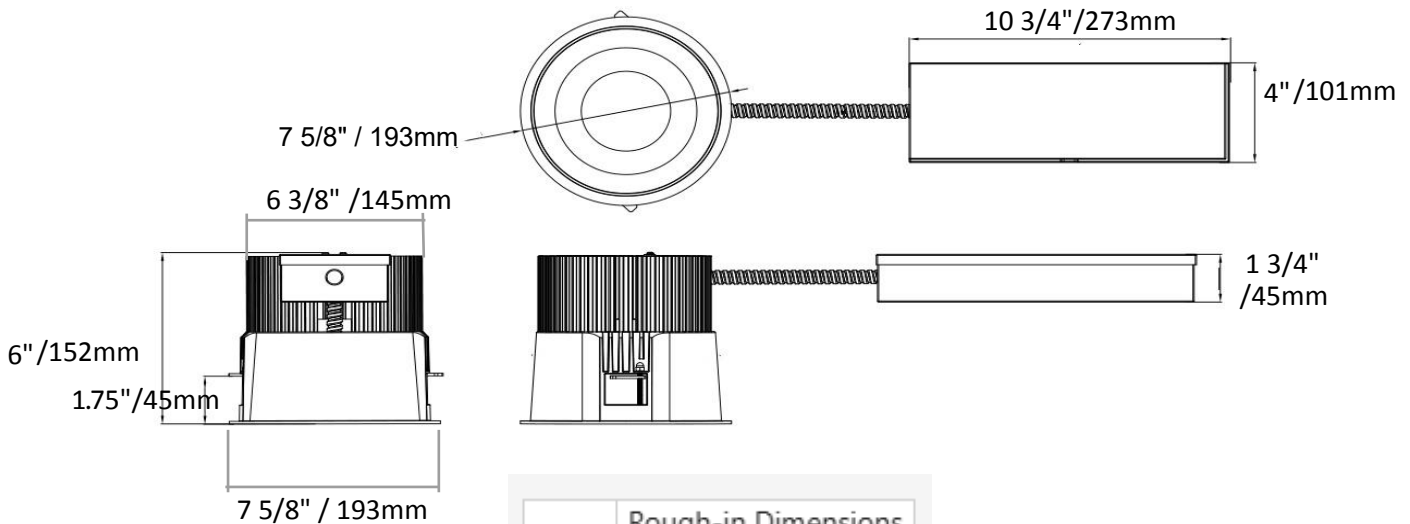
HDL SERIES DOWNLIGHT INSTALLATION INSTRUCTIONS



COMPONENT PART NAME:

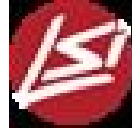


DIMENSIONS:



	Rough-in Dimensions	
	Min	Max
HDL6	6 1/2"	6 3/4"
HDL8	8 1/4"	8 3/8"

HDL SERIES DOWNLIGHT INSTALLATION INSTRUCTIONS



WIRING

RISK OF FIRE. Universal voltage driver permits operation at 120V thru 277V, 50 or 60 Hz. For Non-Dimming, Electronic Low Voltage (ELV) and Triac Dimming follow the wiring directions in Fig. 5.

1. Connect the GROUND wire from fixture to supply ground.
2. Connect the black fixture lead to the (+) LINE supply lead.
3. Connect the white fixture lead to the (-) COMMON supply lead.

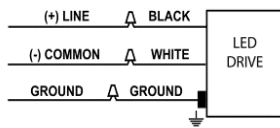


Fig: 5

CLEANING & MAINTENANCE

CAUTION: Be sure fixture temperature is cool enough to touch. Do not clean or maintain while fixture is energized.

1. For safely and efficient use of this product, please clean and inspect it regularly (monthly)
2. Clean the Luminaire with a micro fiber cleaning soft cloth dipped in detergent water, then wipe with a dry cloth.
3. Do not use thinner, gasoline or any other volatile matter to wipe the lamp, in order to avoid discoloring or damage the Luminaire.
4. Do not touch the LED.
5. Do not clean any fixture surface with wood-based cleaning materials such as paper towels or tissues.