



FK Flange Kit

Recessed Frame-in-Kit

FEATURES & SPECIFICATIONS

INTENDED USE

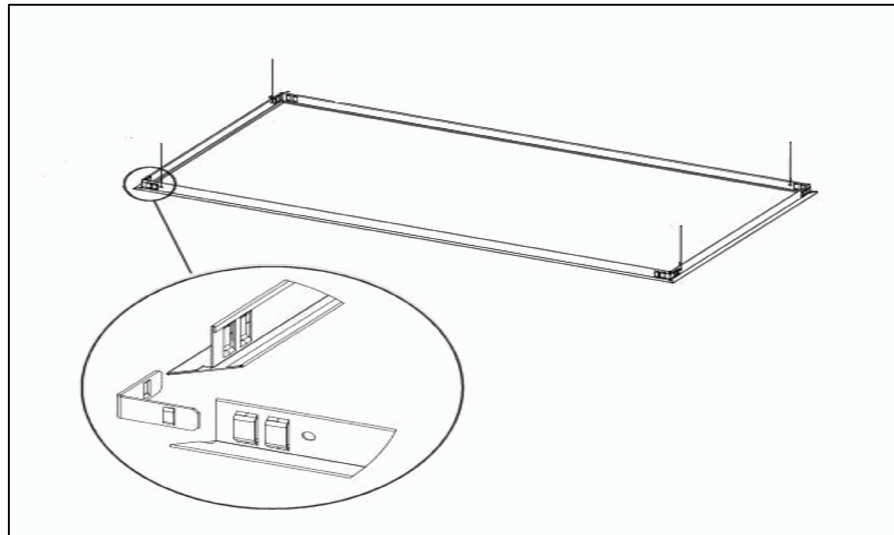
Allows standard troffers, recessed indirect/direct, or parabolics to be mounted in plaster or wood ceilings.

COUNSTRUCTION

Die-formed and embossed code 22 gauge steel. No tools required.

MOUNTING

Recessed inverted T-Bar ceilings. Grid mount.



CEILING CUT OUT SIZE W x L in inches:

FK14 = 1 x 4 - Ceiling Opening is 12.25" x 48.25"

FK22 = 2 X 2 - Ceiling Opening is 24.25" x 24.25"

FK24 = 2 X 4 - Ceiling Opening is 24.25" x 48.25"

FK44 = 4IN X 4FT - Ceiling Opening is 4.875" x 48.50"

FK48 = 4IN X 8FT - Ceiling Opening is 4.875" x 96.50"

Installation Questions
Call LSI Field Service Dept.
800-436-7800 ext. 3300



FK Flange Kit

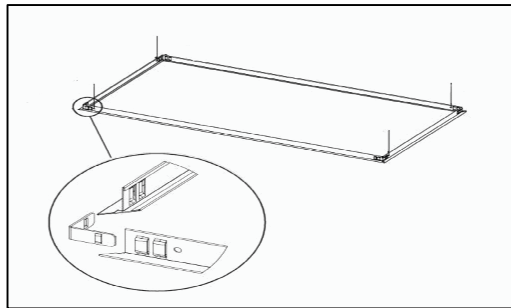
Recessed Frame-in-Kit

INSTALLATION

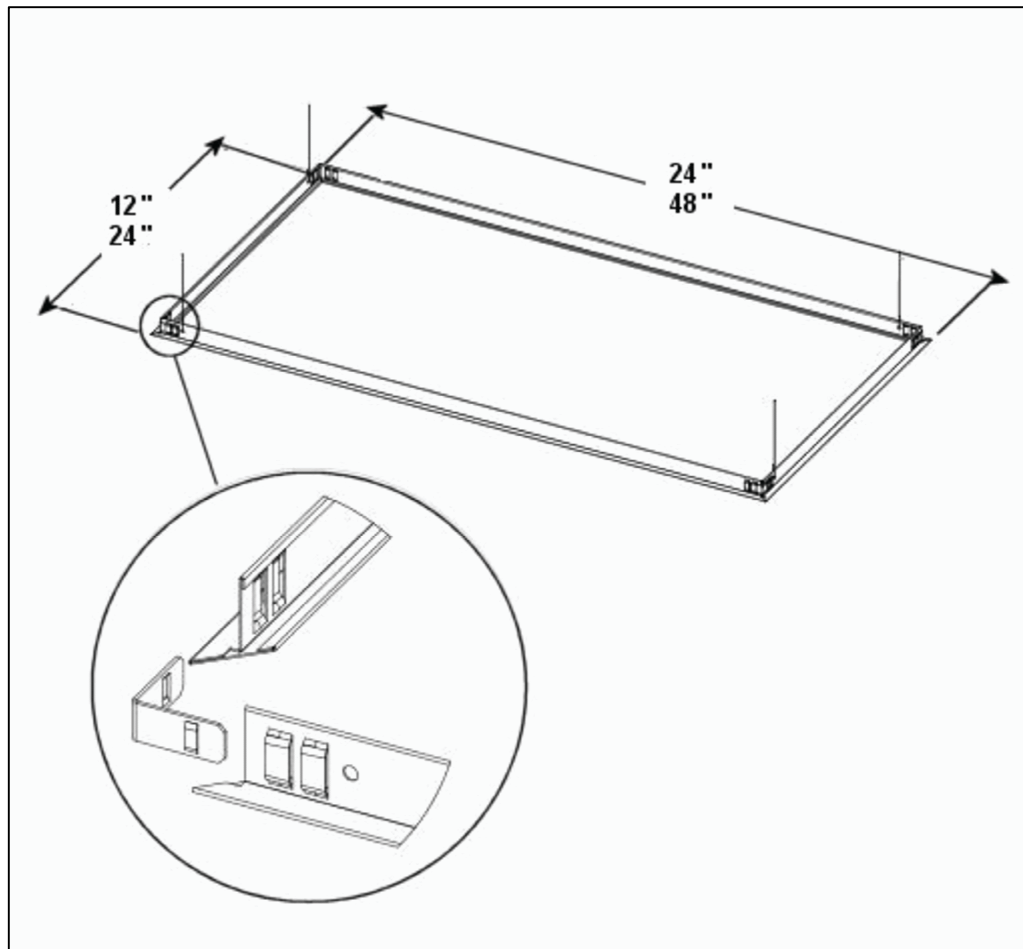
All dimensions are inches. Specifications subject to change without notice.

1. Slide (Snap-Lock) Corner angles into side and end/Intermediate Rails as shown.
2. Place assembled frame into ceiling opening and wire support (at four corners as shown) from main floor/ceiling structure.

WARNING: ELECTRICAL SHOCK POTENTIAL!! Do not attempt to install, maintain or relamp without dis-connecting all power. Failure to disconnect power can result in electrocution, shock, or severe burns.



FK: Designed to be used with any grid type recessed luminaire in ceiling requiring flanges. May be nailed to framing for purpose of trimming out the ceiling opening not to be used for support of luminaire. If this method of installing FK is used luminaire must be supported by #12 ga. mild steel wire by others.



Installation Questions
Call LSI Field Service Dept.
800-436-7800 ext. 3300

Page 2 of 2