

INSTALLATION AND ASSEMBLY INSTRUCTIONS

LEGACY[®] / LEGACY[®] SCOTTSDALE[®]

CRU FKL SC / CRU FKL SCDL LED SERIES



SMARTVISION[®]

SAVE THESE INSTRUCTIONS AND DELIVER TO OWNER AFTER INSTALLATION

BEFORE YOU BEGIN

Read these instructions completely and carefully, observing all CAUTIONS and WARNINGS shown throughout these instructions.

WARNING! RISK OF FIRE OR ELECTRIC SHOCK

- Disconnect or turn off power before installation or servicing.
- WARNING - Risk of fire or electrical shock. Luminaire wiring, power supply, or other electrical parts may be damaged when drilling for installation of retrofit assembly hardware. Inspect wiring and components for damage.
- WARNING - Risk of fire or electrical shock. Do not alter, relocate, or remove wiring, lampholders, power supply or any other electrical component.
- WARNING - Risk of fire or electrical shock. Installation of this retrofit assembly requires a person familiar with the construction and operation of the luminaire's electrical system and the hazard involved. If not qualified, do not attempt installation. Contact a qualified electrician.
- WARNING - Risk of fire or electrical shock. Install this kit only in the luminaires that has the construction features and dimensions shown in the drawings.
- Only those open holes indicated in the drawings may be made or altered as a result of kit installation. Do not leave any other open holes in an enclosure of wiring or electrical components.
- Do not make or alter any open holes in an enclosure of wiring or electrical components during kit installation.
- Verify that supply wiring voltage matches power supply voltage by comparing it with the power supply label.
- Make all electrical and grounded connections in accordance with the National Electrical Code (NEC) and any applicable local code requirements.

CAUTION: RISK OF INJURY

- Wear gloves and safety glasses at all times when removing luminaire from carton, installing, servicing or performing maintenance.
- Allow lamp/luminaire/driver to cool before handling.

NOTICE: RISK OF PRODUCT DAMAGE- Failure to follow instructions could result in damage to product and void ALL warranties!

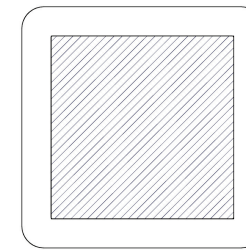
- Never connect components under load.
- Do NOT mount or support these fixtures in a manner that can cut the outer jacket or damage wire insulation.
- Do NOT restrict fixture ventilation. Allow for some volume of airspace around fixture. Avoid covering LED fixtures with insulation, foam, or other material that will prevent convection or conduction cooling.

CLEANING INSTRUCTIONS

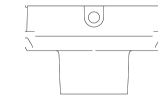
- It will occasionally be necessary to clean the outside of the lens. Frequency of cleaning will depend on ambient dirt level and minimum light output which is acceptable to the user.
- Lens should be wiped with a DAMP cloth with a solution of warm water and a mild, non-abrasive household detergent. Dry with soft, dry, clean cloth.
- Do NOT use chemical cleaners such as powder cleansers, bleach, etc.
- Do NOT use scouring pads, as this will scratch and damage the lens finish.
- Do NOT wipe with a soiled cloth or wet towel - these may leave a residue that can damage finish.
- Do NOT pressure wash or hose down luminaire or driver.
- Do NOT immerse in water.

CRU FKL SERIES, cont'd.

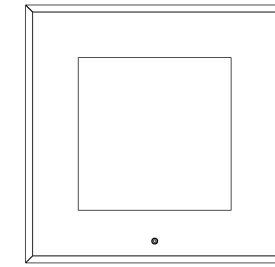
WARNING: Failure to follow instructions could result in damage to product and void warranties!



Luminaire



Driver



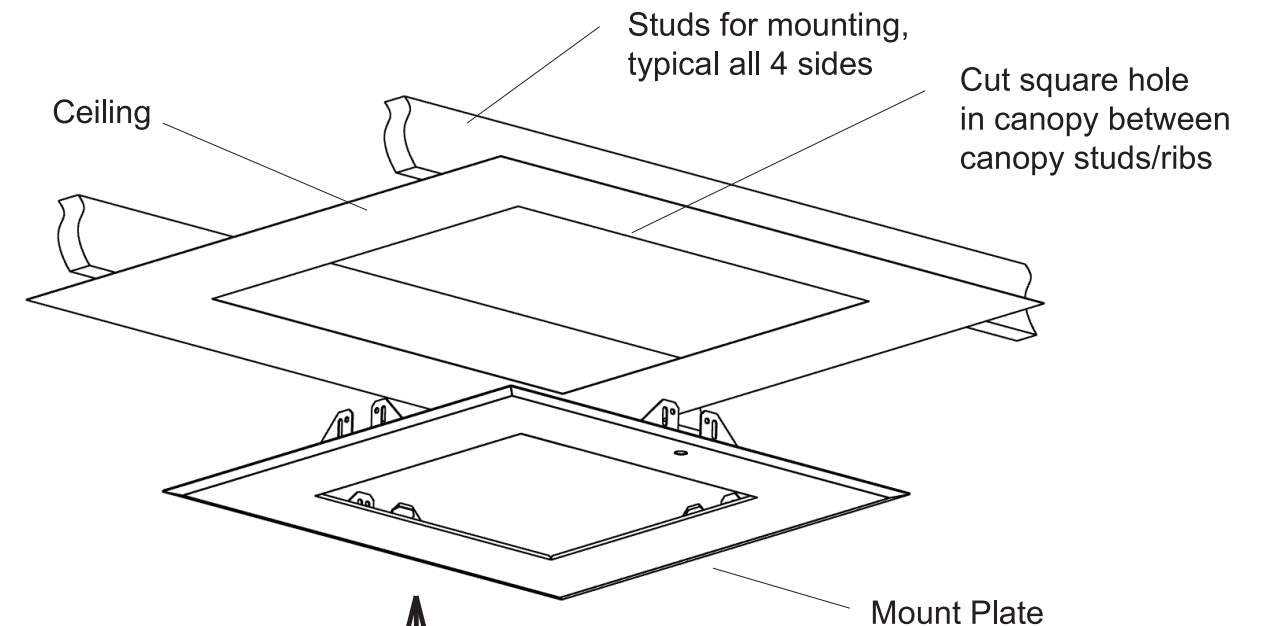
Mount Plate

Suggested Tools: Saw, #2 size Philips (cross recess) screwdriver

WARNING! Make sure canopy is structurally sound to bear the weight of this luminaire! Each luminaire weighs 30 pounds (14kg).

- 1 Cut a square hole between canopy ribs. Lift mount plate up to canopy deck to check for fitment. Mount plate secures to ceiling studs; additional studs may be required.

HOLE SIZE: 23.25" square (590 mm square)



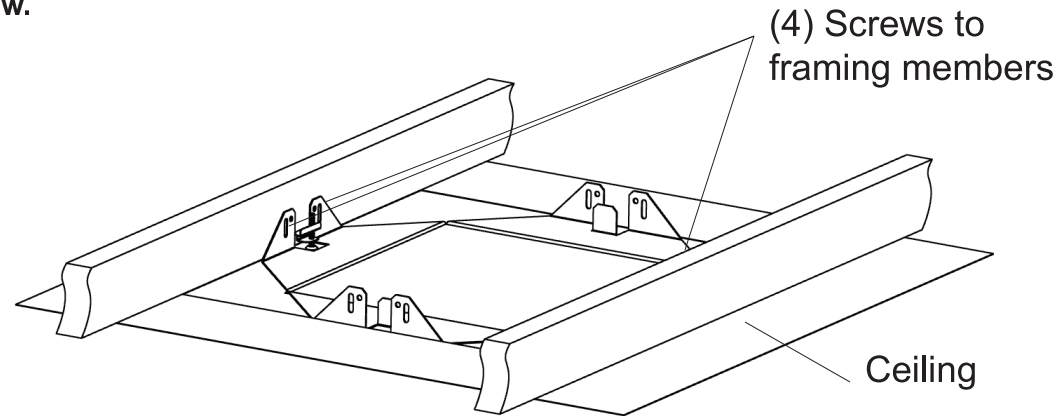
Lift Mount Plate - with inward brackets facing UP - into hole in canopy



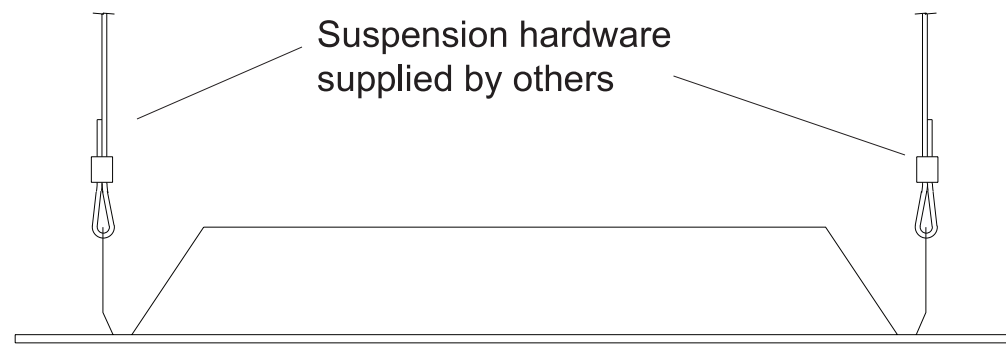
CRU FKL SERIES, cont'd.

2 Secure mounting panel to framing members (not supplied) using (4) screws (not supplied). Mounting panel mounting holes are sized for #10 (6mm) diameter screw.

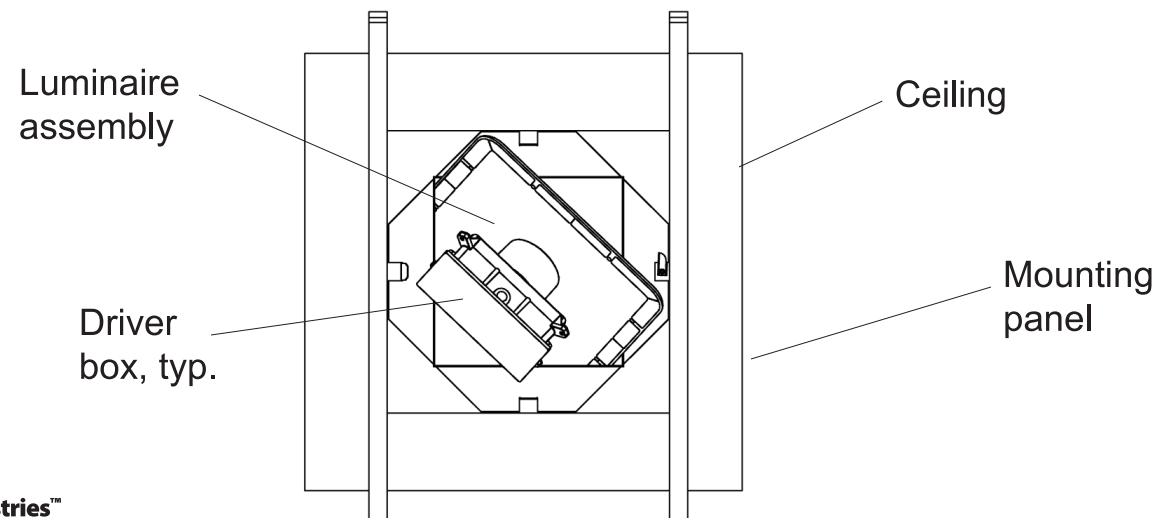
NOTE: Mounting panel can be suspended from slots using suitable cable (not supplied). See 2A below.



2A If suspending mounting panel, use (4) cables (not supplied) to support luminaire weight. Use side slots to run cable to (slots are 1/4" (6mm) wide).

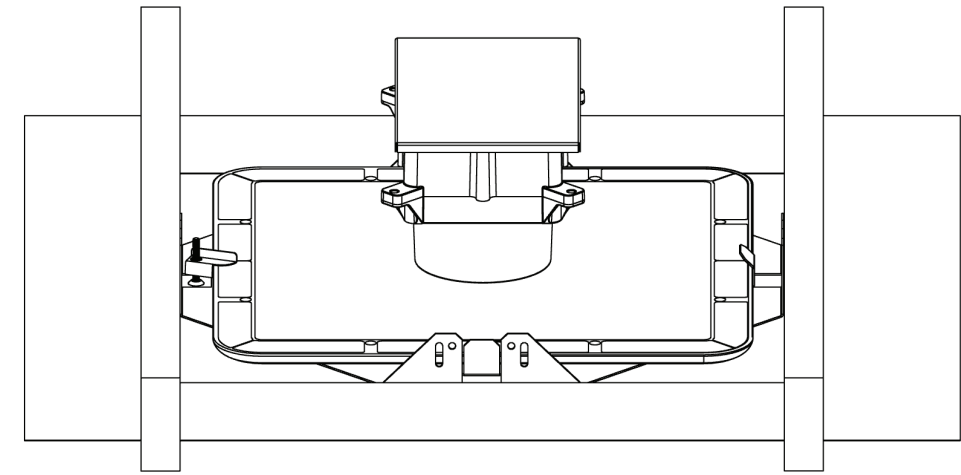


3 Lift luminaire assembly up to mounting panel. Run electrical wiring to supply connection opening on side of driver box. Make electrical supply connections inside driver box per luminaire installation instructions. Tilting the luminaire assembly, push luminaire into mounting panel opening.

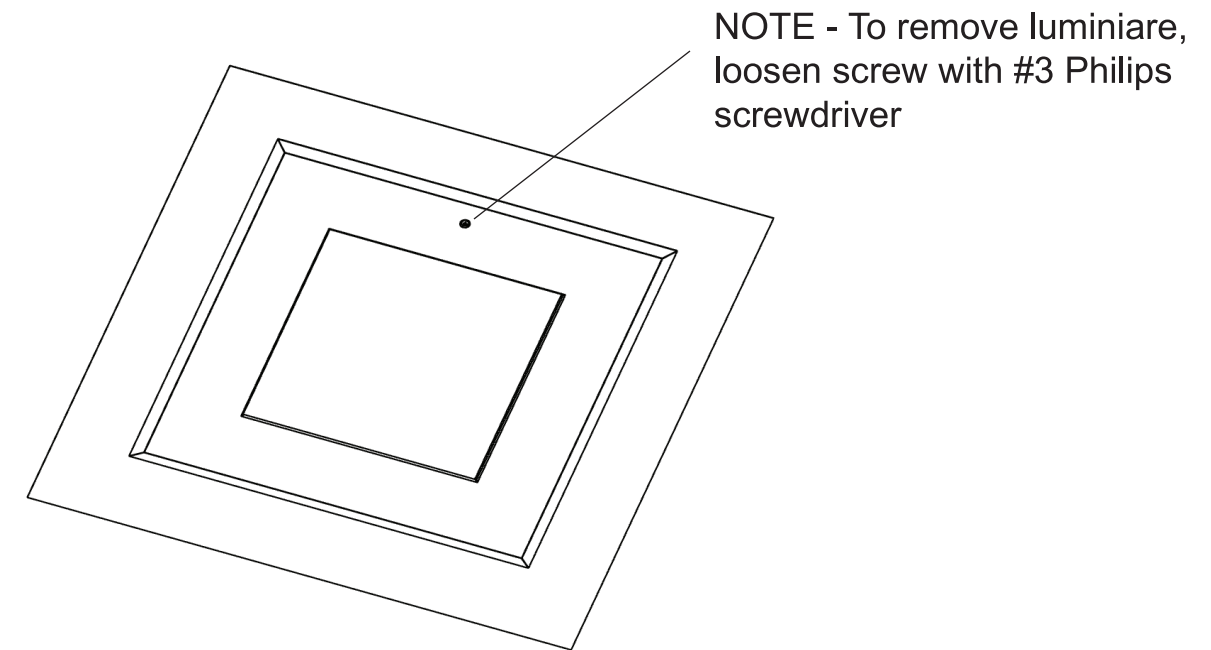


CRU FKL SERIES, cont'd.

4 Position luminaire so lens faces downward. One side of mount panel is fixed, the opposite side has a latch. Place luminaire in frame, using #3 Philips screwdriver to tighten latch. See below.



5 Below is how luminaire should look after installation.



Installation Questions?
Call LSI Field Service Department at:
1-800-436-7800 Ext. 3300
Fax: 1-877-861-1368

