



LED Commercial Garage & Canopy Light

SAVE THESE INSTRUCTIONS



BEFORE YOU BEGIN

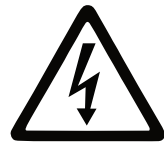
Read and follow all safety instructions



WARNING

RISK OF FIRE, EXPLOSION AND ELECTRIC SHOCK

- This product should be installed, inspected, and maintained by a qualified electrician only, in accordance with the NEC (National Electric Code) and all local codes.
- Turn off electrical power before inspection, installation or removal.
- Use only UL (or other NRTL) approved wire for input/output connections.
- Minimum size 18 AWG or 14 AWG for continuous runs.
- Make sure LEDs and drivers are cool to touch when performing maintenance.
- Make sure the supply voltage is the same as the rated voltage of the luminaire.
- Do not install in a hazardous atmosphere, except where the ambient temperature does not exceed the rated operating temperature of the fixture.
- Keep tightly closed when in operation



Prepare Electrical Wiring



Electrical Requirements

- The LED driver must be supplied with 120 or 277V, 50/60 Hz and connected to an individual, properly grounded branch circuit protected by a 20 ampere circuit breaker. Use min. 75°C supply.



Grounding Instructions

- The grounding and bonding of the overall system shall be done in accordance with NEC Article 600 and local codes



Pendant Mount LED Commercial Garage & Canopy Light

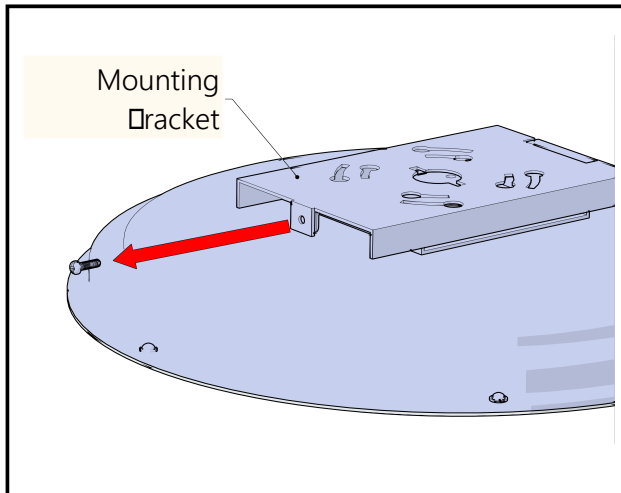
Before starting:

- Ensure that the supply power is shut off.
- Unpack the fixture and ensure that there are no damaged or missing parts

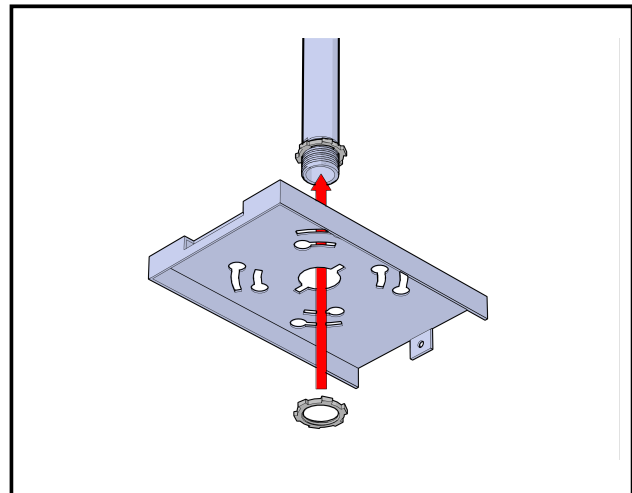
Tools Required:

- #2 Phillips Screw Driver
- Wire Strippers
- Wire Cutters

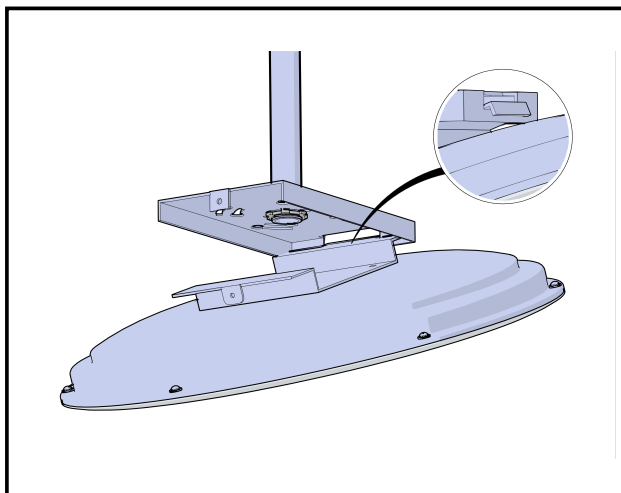
Pendant Mount Installation



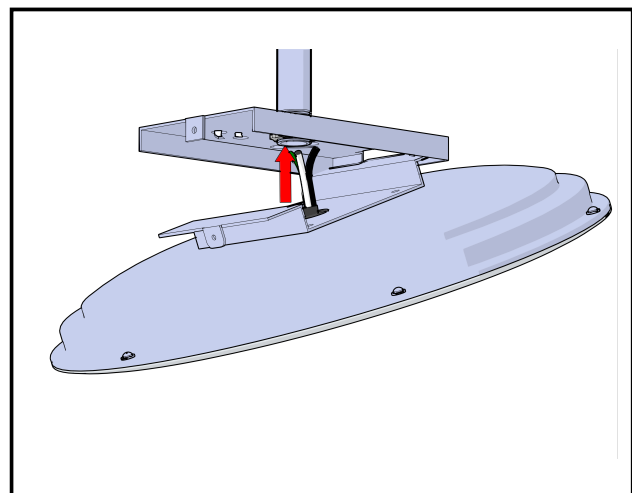
Step 1: Remove the locking screw to separate the top half of the mounting bracket.



Step 2: Mount the top bracket to a 3/4" trade size conduit as shown and secure with two locking nuts (not supplied).



Step 3: Hang the fixture on the mounted bracket.

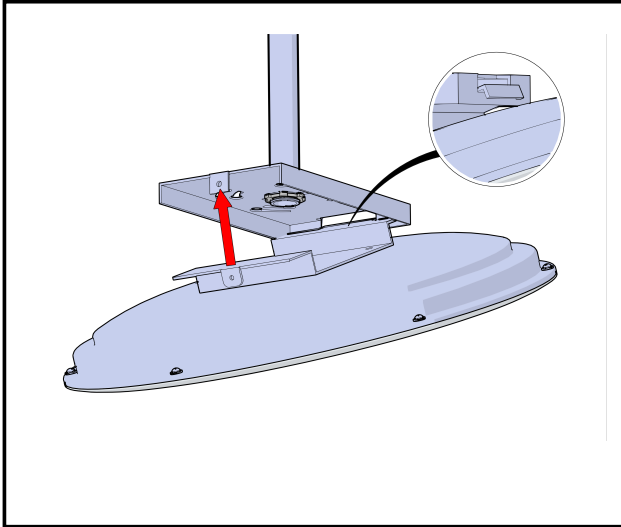


Step 4: Feed the supply cable from the fixture through the conduit and wire in the junction box. Black->Line; Green->Ground; White->Neutral
SEE ELECTRICAL WIRING DIAGRAM ON PAGE 6

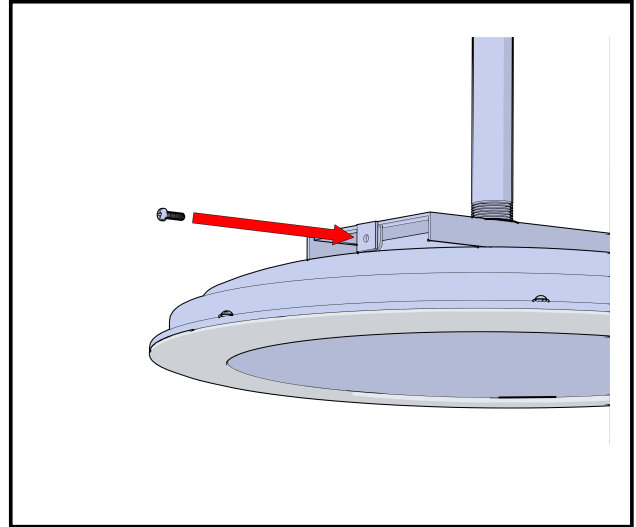


Pendant Mount

LED Commercial Garage & Canopy Light



Step 5: Raise the fixture to secure with the locking screw removed in Step 1.



Step 6: Secure the bracket with the locking screw.



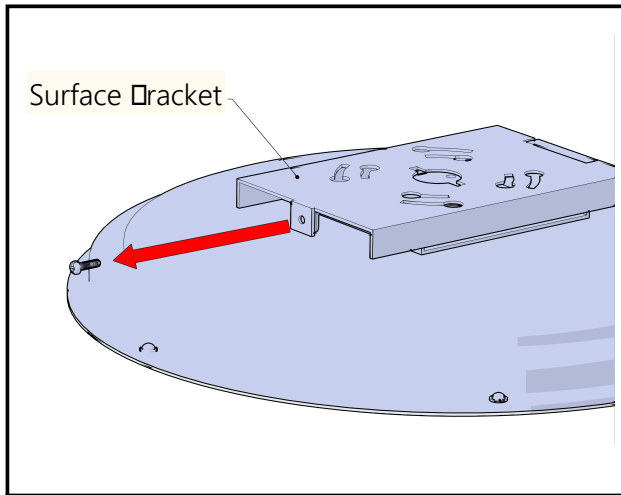
Surface Mount LED Commercial Garage & Canopy Light

- Ensure that the supply power is shut off.
- Unpack the fixture and ensure that there are no damaged or missing parts

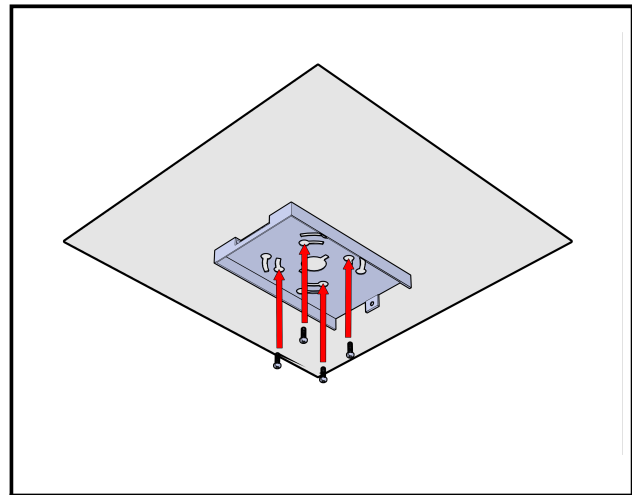
Tools Required:

- #2 Phillips Screw Driver
- Wire Strippers
- Wire Cutters

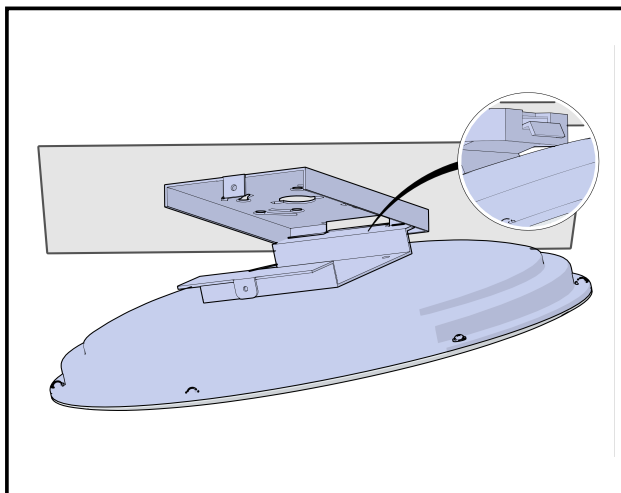
Surface Mount Installation



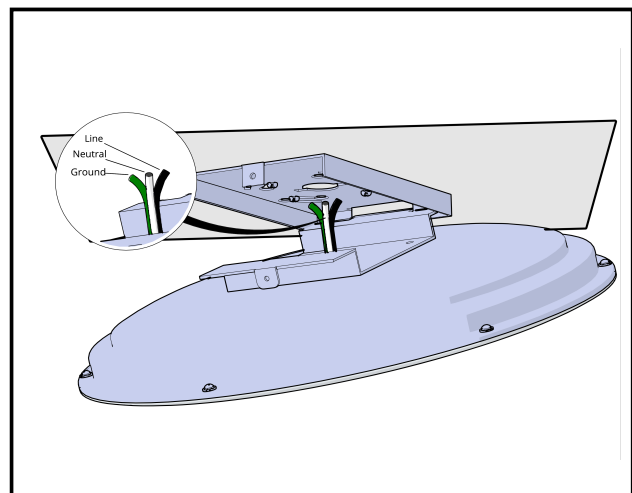
Step 1: Remove the locking screw to separate the top half of the surface bracket.



Step 2: Mount the bracket to the desired surface using the appropriate hardware (not supplied).



Step 3: Hang the fixture on the mounted bracket.



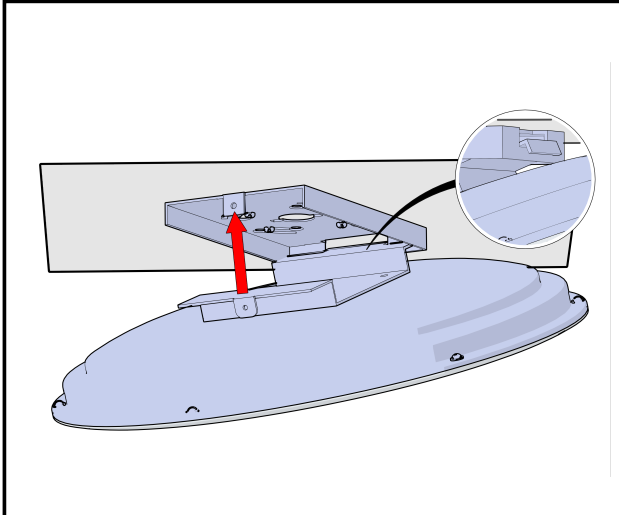
Step 4: Wire the supply cable from the fixture to the power source wires.
Black->Line; Green->Ground; White->Neutral
SEE ELECTRICAL WIRING DIAGRAM ON PAGE 6



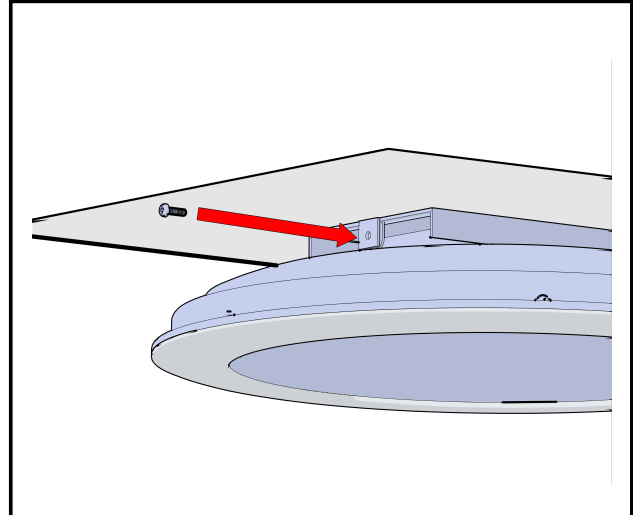
Surface Mount

LED Commercial Garage & Canopy Light

Surface Mount Installation (continued)



Step 5: Raise the fixture to secure with the locking screw removed in Step 1.



Step 6: Secure the bracket with the locking screw.



Surface Mount

LED Commercial Garage & Canopy Light

Electrical Wiring Diagram

