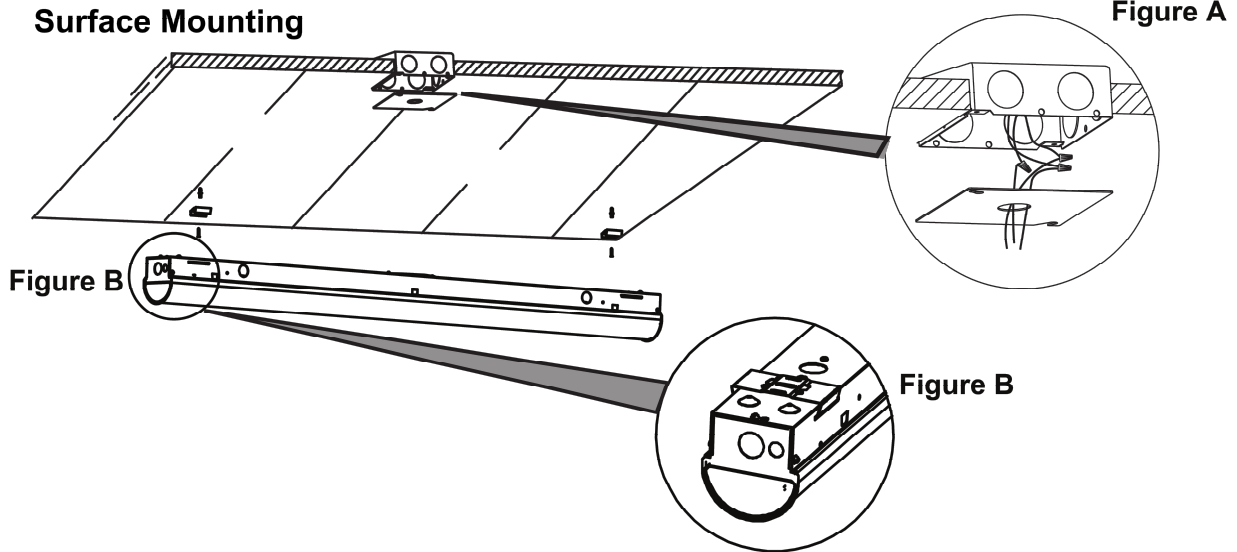


Linear Strip Light Installation Instructions



CAUTION:

1. Read all instructions before starting installation.
2. This product must be installed in accordance with the applicable installation codes by a qualified electrician familiar with the construction and operation of the product and the hazards involved.
3. Disconnect power at circuit breaker or fuse before starting installation.
4. To avoid injury, wear gloves during installation.
5. To reduce the risk of electrical shock and product damage, do not install this luminaire during rain or other storms.
6. Do not test luminaire using an electric generator before installation.
7. Use minimum 90°C Supply Wires.

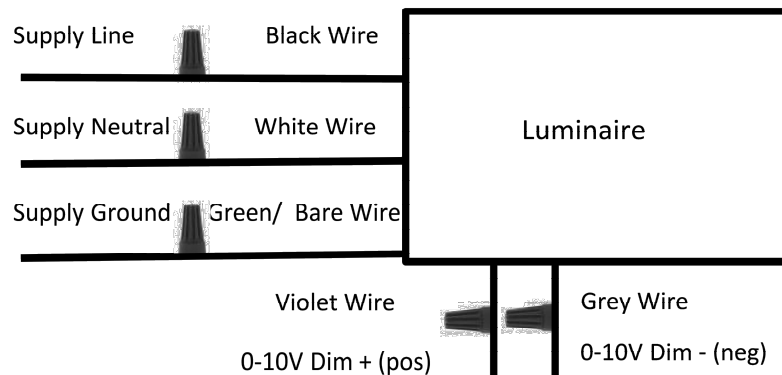


Step 1: Secure the provided brackets onto the ceiling by using the provided accessories and screws.

Step 2: Wire to the main power through the junction box (Figure A)

Step 3: Clip the brackets into the designated slots on the fixture (Figure B)

Wiring Diagram



For dimming wires, use class 1 wiring methods.
Cap dimming wires (separately) if not used.

This is a high-quality commercial grade product and is equipped with a 0-10V dimming driver. A 0-10V dimmer is required to use the dimming feature of this product. 0-10V dimmer come equipped with 2 wires specifically for dimming which are typically violet and gray. DO NOT use a standard (2-wire) wall dimmer with this product.

SAVE THESE INSTRUCTIONS