

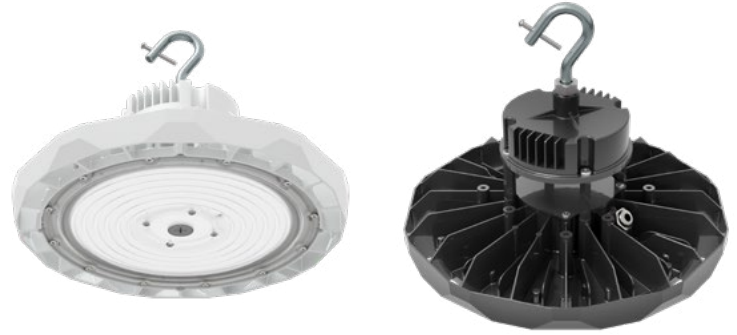


Advantage Round Low and High Bay (ARB)

Industrial and Sports



OVERVIEW	
Lumen Package (lm)	6,000 - 30,000
CCT (K)	3000K, 4000K, 5000K
Wattage Range (W)	41 - 237
Efficacy Range (LPW)	133 - 155
Weight lbs (kg)	6 - 8 (2.7 - 3.6)
Control Options	QCMS35, QCALBMSD35



QUICK LINKS

FEATURES & SPECIFICATIONS

Construction

- Aluminum die cast

Optical System

- ARB 9 - color temperature field selectable in 3000K, 4000K, or 5000K
- ARB 12 - color temperature must be ordered 4000K or 5000K
- Gasketed acrylic optic ensures low glare and IP65 rating
 - Lumen and/or CCT can be locked with Selection Lock catalog option where appropriate.
- Optional refractors and refractor attachments available (see accessory table)
- Minimum CRI of 80

Electrical

- ARB 9 - Field selectable lumen levels (6L-9L-12L based on 41W, 61W, or 85W)
- ARB 12 - Field selectable lumen levels (18L-24L-30L) based on 135W, 180W, or 240W
- L70 Calculated Life: 100,000+ hours
- Standard universal voltage (120-277 VAC) input 50/60 Hz
- Standard surge protection rated to 6kV
Optional external 30W emergency battery back-up available

- Operating temperature range -40 to +50C (-40F to +122F) refer to ambient temperature table for specific units

Installation

- Standard die cast hook with capture screw for mounting
 - Other mounting options include: die cast loop, surface mount (ARB-SMK), or pendant mount (ARB-PMK) - see accessory table for details
- Standard 6ft 5 conductor cord in color to match unit finish (white or black)
 - 5 Conductor cord allows 0-10V dimming

Controls

- Controls Options Include:
 - Quick Control center mount PIR sensor (QCMS35)
 - Quick Control sensor may be programmed via dials on the back of the sensor or using a separate IR remote (not included, please see accessory table to purchase)
 - Quick Control AirLink Blue sensor (QCALBMSD35)
 - App based, wireless Bluetooth mesh lighting control system
 - Automated control of grouped fixtures based on motion sensors, daylight or a fully customizable schedule.

Warranty

- LSI luminaires carry a 5-year limited warranty. Refer to <https://www.lsicorp.com/resources/terms-conditions-warranty/> for more information.

Listings

- Suitable for wet locations
- IP65 rated product
- NSF Splash Zone 2 rated product.
- Listed to UL 1598 and UL 8750.
- Title 24 Compliant; see local ordinance for qualification information.
- Lens is rated IK06 and housing is rated IK08 per IEC 66262 mechanical impact code.
- DesignLights Consortium® (DLC) Premium qualified product. Not all versions of this product may be DLC Premium qualified. Please check the DLC Qualified Products List at www.designlights.org/QPL to confirm which versions are qualified.

 **Have questions?** Call us at (800) 436-7800

ORDERING GUIDE

TYPICAL ORDER EXAMPLE: ARB 9 FS1 UNV WHT EM30WWHT							
Prefix	Size	Selectibility	Voltage	Color Rendering/Temperature	Finish	EM Options	Options
ARB - Advantage Round Bay Light	9 - 9" Diameter (Low Bay)	FS1 - Fully Selectable (6L-9L-12L/3000K-4000K-5000K)	UNV - Universal Voltage (120V - 277V)	Standard - Selectable (min. 80 CRI) 840 - 4000K / 80CRI 850 - 5000K / 80CRI	WHT - White BLK - Black	EM30WBLK - 30W EM with black box¹ EM30WWHT - 30W EM with white box¹	LxxCyy - Lumen and CCT Selectable Lock (ARB 9 Only, select from 3 Lumen and 3 CCT Choices) Lxx - Lumen Selectable Lock (ARB 12 Only, select from 3 Lumen Choices) Please see Accessory table below for additional choices
	12 - 12" Diameter (High Bay)	LS1 - Lumen Selectable (18L-24L-30L)					



Need more information?
[Click here for our glossary.](#)

Have additional questions?
Call us at (800) 436-7800



ACCESSORY ORDERING INFORMATION

Part Number	Order Number	Description
787805	PMK BLK	Pendant Mount Adapter (Black) Accepts 3/4 NPT
787804	PMK WHT	Pendant Mount Adapter (White) Accepts 3/4 NPT
812345	ARB-SMK-WHT	ARB Surface Mount Kit White
817648	ARB-SMK-BLK	ARB Surface Mount Kit Black
101170	SCK	Safety Chain Kit
813860	ARB16-ADP-W¹	Reflector Adaptor White (Required for 9" units if using a refractor)
813861	ARB16-ADP-B¹	Reflector Adaptor Black (Required for 9" units if using a refractor)
709938C	R16AC²	16" Clear Acrylic Refractor
738701	R16AD³	16" Diffuse Acrylic Refractor
738702	R16AW¹	16" White Acrylic Refractor
841969	R16PC	16" Clear Polycarbonate Refractor
709936	R16AL	16" White Aluminum Reflector
782280	R16CPA	16" Acrylic Conical Drop Lens and Clamp Band⁴
709942	R16WG	16" Wire Guard
782894	ARB-LP	Mounting Loop
842373	QCMS35	Quick Control PIR Motion Sensor 3.5mm⁵
802874	QCALBMSD35	Quick Control Airlink Blue Motion Sensor and Photocell 3.5mm⁵
792552	QCREM	Quick Control Remote Config Tool for QCMS35

R16AC
(16" Clear Acrylic Refractor)



R16AD
(16" Diffuse Acrylic Refractor)



R16AW
(16" White Acrylic Refractor)



Pendant Mount Adapter
(PMK - Fits 3/4" NPT)



ARB White Unit with Loop
(ARB WHT ARB-LP)
Pictured with optional mounting loop



ARB EM Kit
(ARB EM30W Installed)



ARB Surface Mount Kit
(SMK - Finish to match fixture)



PENDANT ORDERING INFORMATION (Accessories are field installed)

Order Number	Description	Image
BC600 3	3/4" (19 mm) Top Decorative Box Cover Aligner	
BC585	3/4" (19 mm) Top Round Box Cover Aligner	
BC585SQ	3/4" (19 mm) Top Square Box Cover Aligner	

STEM ORDERING INFORMATION (Accessories are field installed)

Order Number	Description	Image
ST 6 3	3/4" x 6" (19 mm x 152 mm) Aluminum Stem	
ST 12 3	3/4" x 12" (19 mm x 0.4 m) Aluminum Stem	
ST 18 3	3/4" x 18" (19 mm x 0.5 m) Aluminum Stem	
ST 24 3	3/4" x 24" (19mm x 0.6 m) Aluminum Stem	
ST 36 3	3/4" x 36" (19 mm x 0.9 m) Aluminum Stem⁷	
ST 48 3	3/4" x 48" (19 mm x 1.2 m) Aluminum Stem⁷	
COP 3	3/4" (19 mm) Aluminum Stem Coupler	

1 If using a refractor with a 9" unit, the ARB16-ADP adaptor is required

2 Units with refractors are not DLC listed.

3 R16CPA and R16WG are not stocked and will have extended lead times.

4 ARB units come with a hook by default, but a loop may be ordered as an alternative. See product dimensions for details.

5 The conical lens attachment (R16CPA) and the PIR motion sensors (QCMS35 and QCALBMSD35) are not compatible



Advantage Round Low and High Bay (ARB) Industrial and Sports

Type: _____

 Have questions? Call us at (800) 436-7800

PERFORMANCE

Delivered Lumens ¹											
Size	Lumen Package	Refractor	Attachment	CRI	3000K		4000K		5000K		Wattage
					Delivered Lumens	Efficacy	Delivered Lumens	Efficacy	Delivered Lumens	Efficacy	
9"	6L	None	None	80	5,858	142	6,416	155	6,226	150	41
9"	9L			80	8,532	141	9,344	154	9,068	150	61
9"	12L			80	11,314	134	12,391	151	12,025	143	85
12"	18L			80	N/A	N/A	19,544	146	19,771	147	135
12"	24L			80	N/A	N/A	24,536	138	24,819	139	179
12"	30L			80	N/A	N/A	31,567	133	31,933	135	237

Refractor Scaling ²	
Refractor Usage	Lumen Output
No Refractor	100%
R16AC (Clear)	100%
R16AD (Diffuse)	99%
R16AW (White)	98%

Electrical Data - Current Draw AMPS ³								
Size	Lumen Package	Wattage	120V	208V	240V	277V	347V	480V
9"	6L	41	0.35	0.20	0.17	0.15	0.12	0.09
9"	9L	61	0.51	0.29	0.25	0.22	0.17	0.13
9"	12L	85	0.70	0.41	0.35	0.31	0.24	0.18
12"	18L	135	1.11	0.64	0.55	0.48	0.38	0.28
12"	24L	179	1.48	0.85	0.74	0.64	0.51	0.37
12"	30L	237	2.00	1.15	1.00	0.87	0.69	0.50

Recommended Lumen Maintenance - ARB ⁴						
Size	Ambient Temperature °C	Initial ⁵	25K hrs. ⁵	50K hrs. ⁵	75K hrs. ⁶	100K hrs. ⁶
9"	0	100%	95%	90%	85%	81%
9"	10	100%	95%	90%	85%	81%
9"	20	100%	95%	90%	85%	81%
9"	25	100%	95%	90%	85%	80%
9"	30	100%	95%	89%	84%	80%
9"	40	100%	94%	89%	83%	78%
9"	50	100%	94%	88%	82%	77%
12"	0	100%	95%	90%	85%	81%
12"	10	100%	95%	90%	84%	80%
12"	20	100%	95%	89%	84%	79%
12"	25	100%	94%	89%	83%	78%
12"	30	100%	94%	88%	82%	77%
12"	40	100%	94%	87%	82%	76%
12"	50	100%	93%	87%	81%	76%

¹ LEDs are frequently updated therefore values are nominal.

² For lumen output scaling, multiply the CCT-Lumen combination by the scaling factor to get the output for the refractor used.

³ Electrical data at 25C (77F). Actual wattage may differ by +/-10%.

⁴ Lumen maintenance values at 50C are calculated per TM-21 based on LM-80 data and in-situ testing.

⁵ In accordance with IESNA TM-21-11, Projected Values represent interpolated value based on time durations that are within six times the IESNA LM-80-08 total test duration for the device under testing.

⁶ In accordance with IESNA TM-21-11, Calculated Values represent time durations that exceed six times the IESNA LM-80-08 total test duration for the device under testing.

 **Have questions?** Call us at (800) 436-7800

PHOTOMETRICS

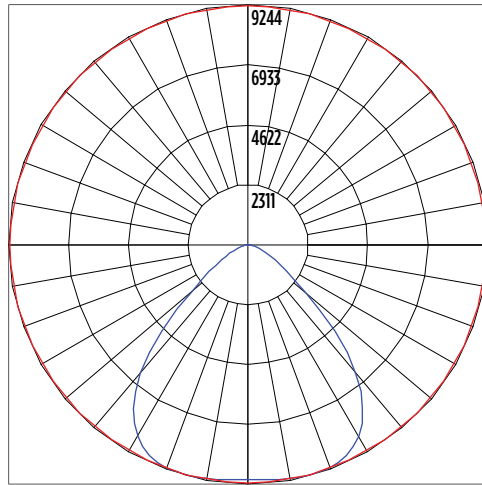
Luminaire photometry has been conducted by a NVLAP accredited testing laboratory in accordance with IESNA LM-79-08. As specified by IESNA LM-79-08 the entire luminaire is tested as the source resulting in a luminaire efficiency of 100%.

See the individual product page on <https://www.lsicorp.com/> for detailed photometric data.

ARB-12-LS-UNV-850 (18L - Low Wattage)

Luminaire Data	
Wide Distribution	
Description	5000 Kelvin, 80 CRI
Delivered Lumens	19,771
Watts	135
Efficacy	146

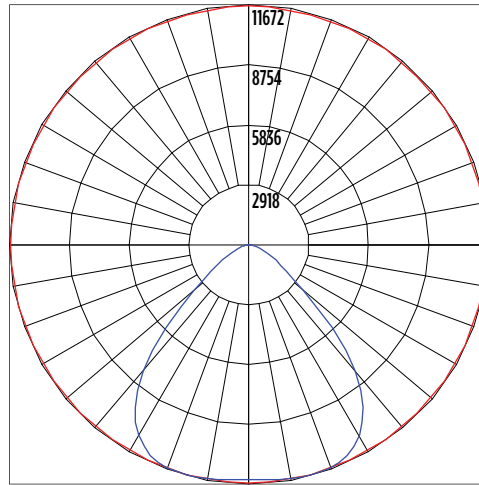
Polar Curve



ARB-12-LS-UNV-850 (24L - Medium Wattage)

Luminaire Data	
Wide Distribution	
Description	5000 Kelvin, 80 CRI
Delivered Lumens	24,819
Watts	179
Efficacy	139

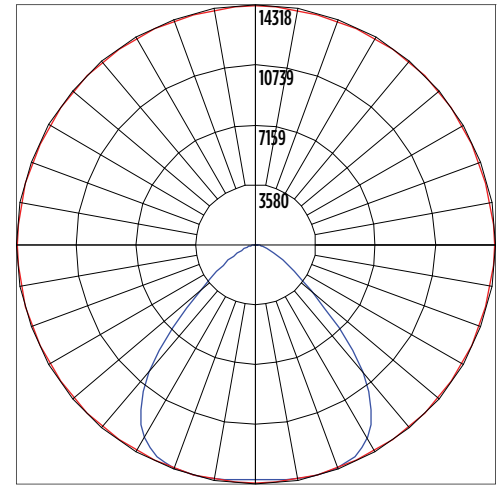
Polar Curve



ARB-12-LS-UNV-850 (30L - High Wattage)

Luminaire Data	
Wide Distribution	
Description	5000 Kelvin, 80 CRI
Delivered Lumens	31,933
Watts	238
Efficacy	135

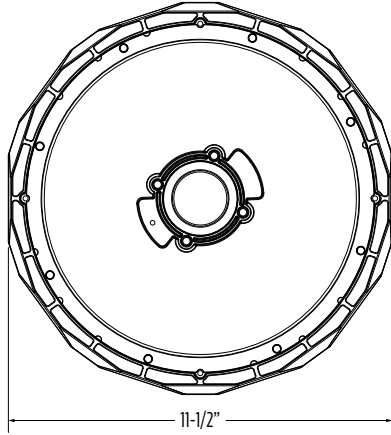
Polar Curve



 Have questions? Call us at (800) 436-7800

PRODUCT DIMENSIONS

ARB 12
(12" Diameter - High Bay)



ARB 9
(9" Diameter - Low Bay)

