



# Advantage Low Profile Troffer (ALPT)

## Premium Performance, Controls Ready



OVERVIEW	
Lumen Package (lm)	2,000 - 9,500
CCT (K), CRI	2700, 3000, 3500, 4,000, 5000, 90 min.
Wattage Range (W)	16 - 74
Efficacy Range (LPW)	110 - 130
Weight lbs (kg)	2x2 - 9 (4.1)
	1x4 - 10 (4.5)
	2x4 - 15 (6.8)

### QUICK LINKS

## FEATURES & SPECIFICATIONS

### Construction

- Available in 2x2, 1x4, and 2x4 (ft) form factors.
- Die-formed galvanized steel for consistency and strength.
- Luminaire comes equipped with integral earthquake clips.
- Low profile (< 3") and light-weight design can be used in a broad range of plenum/wall spaces and allows for easy installation.
- Operating Temperature: 32F (0C) - 86F (30C).

### Optical System

- Diffused, curved lens.
- High-transmission lens ensures uniformity and provides high vertical illuminance and visual comfort.
- Available in 2700, 3000, 3500, 4000, 5000K CCT.
- Minimum Color Rendering Index (CRI) of 90.

### Electrical

- 0-10V dimming (1% - 100%) standard.
- Standard Universal Voltage (120-277 VAC) Input 50/60 Hz.
- L70 Calculated Life: >50k Hours.
- Total harmonic distortion (THD): <20%.

- Power factor (PF): >90%.

- Optional 120V-277V integral battery pack is available. Battery backup provides 90 min. of standby lighting in the event of power loss.

### Controls

- Available with AirLink™ Blue. AirLink™ Blue (ALB) is a low-power wireless Bluetooth mesh control system. AirLink™ Blue networked lighting control system, with technology partner Silvair, incorporates Luminaire Level Lighting Controls (LLLC) and high-end trim.
- Quick control AirLink Blue motion and daylight harvesting sensor available as fixture-integral or accessory for field upgrade.
- The optional integrated AirLink™ Blue fixture controller (ALBC) is used to dim the fixture based on motion or daylight levels continually monitored by external ALB sensors.

### Installation

- Fixture backplate includes integral T-bar clips for installation onto standard 15/16" and narrow 9/16" T-grid ceilings.
- Surface mount and Drywall Recess Kits optional. See accessory ordering information.

### Warranty

- LSI luminaires carry a 5-year limited warranty. Refer to <https://www.lsicorp.com/resources/terms-conditions-warranty/> for more information.
- 1 Year warranty on optional Battery Backup. Test regularly in accordance with local codes.

### Listings

- Listed to UL® 1598 and UL® 8750.
- RoHS Compliant.
- Title 24 Compliant; see local ordinance for qualification information.
- Suitable For Damp Locations.
- CCEA (Chicago Plenum) approved construction available.
- IP5X - dust protected (optional).

# Advantage Low Profile Troffer (ALPT)

Type : \_\_\_\_\_


 **Have questions?** Call us at (800) 436-7800

## ORDERING GUIDE

TYPICAL ORDER EXAMPLE: ALPT24 48L UNV 940 CS QCALBMSD25 EM10						
Prefix	Lumen Package	Voltage	CCT & CRI	Lens	Controls	Options
ALPT22 - 2x2	20L - 2,000lm	UNV - 120 - 277VAC	927 - 90 CRI min., 2700K	CS - Curved Smooth	Blank - 0-10V 1%, Dim to OFF	Blank - No options
	24L - 2,400lm		930 - 90 CRI min., 3000K			
	32L - 3,200lm		935 - 90 CRI min., 3500K			
	40L - 4,000lm		940 - 90 CRI min., 4000K		ALBC - Integral AirLink Blue Controller	FC1 - 3-conductor flex conduit (L,N,G)
	48L - 4,800lm		950 - 90 CRI min., 5000K		QCR25 - AirLink Blue Quick Control Receptacle. Sensor ordered separately. See Accessory Ordering Information.	FC14 - 4-conductor (L, N, G, EM)
	55L - 5,500lm				3PC - 3rd Party Controls. Contact Factory.	FC15D - 5-conductor (L, N, G, EM, DIM+, DIM-)*
	60L - 6,000lm					FC16D - 6-conductor (L, N, G, EM, DIM+, DIM-)*
	Custom Lumen Packages Available. Contact Factory.					CP - Chicago Plenum
ALPT14 - 1x4	20L - 2,000lm					IP5X - Dust Protected
	24L - 2,400lm					
	32L - 3,200lm					
	40L - 4,000lm					*not available with controls
	48L - 4,800lm					
	55L - 5,500lm					
	60L - 6,000lm					
	Custom Lumen Packages Available. Contact Factory.					
ALPT24 - 2x4	24L - 2,400lm					
	32L - 3,200lm					
	40L - 4,000lm					
	48L - 4,800lm					
	60L - 6,000lm					
	72L - 7,200lm					
	80L - 8,000lm					
	95L - 9,500lm					
	Custom Lumen Packages Available. Contact Factory.					



 **Need more information?**  
[Click here for our glossary.](#)

**Have additional questions?**  
 Call us at (800) 436-7800 

### ACCESSORY ORDERING INFORMATION (Accessories are field installed)

Part Number	Description
QCALBMSD25	Quick Control AirLink Blue Motion Sensor with Daylight Harvesting
M20027	2x2 Flange Kit Drywall Recess Mount
M20026	1x4 Flange Kit Drywall Recess Mount
M20028	2x4 Flange Kit Drywall Recess Mount
772276	SMK22 - 2x2 Surface Mount Kit
772275	SMK14 - 1x4 Surface Mount Kit
772278	SMK24 - 2x4 Surface Mount Kit

# Advantage Low Profile Troffer (ALPT)

Type : \_\_\_\_\_

 Have questions? Call us at (800) 436-7800

## PERFORMANCE

Delivered Lumens - ALPT 2x2											
Lumen Package	2700K CCT		3000K CCT		3500K CCT		4000K CCT		5000K CCT		Wattage
	Delivered Lumens	Efficacy	Delivered Lumens	Efficacy	Delivered Lumens	Efficacy	Delivered Lumens	Efficacy	Delivered Lumens	Efficacy	
20L	1,890	122	1,907	125	1,929	127	1,942	126	1957	128	15
24L	2,306	123	2,326	126	2,353	128	2,369	127	2387	129	19
32L	3,052	122	3,079	125	3,115	127	3,136	126	3160	128	25
40L	3,876	118	3,911	121	3,956	123	3,983	122	4014	124	33
48L	4,638	112	4,680	115	4,734	117	4,766	116	4803	118	41
55L	5,254	108	5,302	111	5,363	113	5,399	112	5441	114	48
60L	5,632	107	5,683	109	5,748	111	5,787	110	5832	112	53

Delivered Lumens - ALPT 1x4											
Lumen Package	2700K CCT		3000K CCT		3500K CCT		4000K CCT		5000K CCT		Wattage
	Delivered Lumens	Efficacy	Delivered Lumens	Efficacy	Delivered Lumens	Efficacy	Delivered Lumens	Efficacy	Delivered Lumens	Efficacy	
20L	1,918	125	1,939	124	1,960	127	1,979	126	1,995	130	15
24L	2,380	127	2,406	126	2,432	129	2,456	128	2,476	132	19
32L	3,072	125	3,106	124	3,140	127	3,170	126	3,196	130	25
40L	3,912	121	3,954	120	3,997	123	4,036	122	4,069	126	33
48L	4,675	116	4,726	115	4,778	118	4,824	117	4,863	121	41
55L	5,337	112	5,396	111	5,454	114	5,507	113	5,552	117	49
60L	5,703	110	5,765	109	5,828	112	5,884	111	5,932	115	53

Delivered Lumens - ALPT 2x4											
Lumen Package	2700K CCT		3000K CCT		3500K CCT		4000K CCT		5000K CCT		Wattage
	Delivered Lumens	Efficacy	Delivered Lumens	Efficacy	Delivered Lumens	Efficacy	Delivered Lumens	Efficacy	Delivered Lumens	Efficacy	
24L	2,389	133	2,422	134	2,448	135	2,465	136	2,484	137	18
32L	3,065	131	3,107	132	3,140	133	3,162	134	3,186	135	24
40L	3,946	128	4,001	129	4,044	130	4,072	131	4,103	132	31
48L	4,749	125	4,815	126	4,866	127	4,900	128	4,938	129	38
60L	5,802	121	5,883	122	5,946	123	5,987	124	6,033	125	48
72L	7,097	132	7,195	133	7,272	134	7,323	135	7,379	136	54
80L	7,745	129	7,852	130	7,936	131	7,991	132	8,053	133	61
95L	9,120	125	9,246	126	9,345	127	9,410	128	9,483	129	74

# Advantage Low Profile Troffer (ALPT)

Type : \_\_\_\_\_

 Have questions? Call us at (800) 436-7800

Electrical Data - Current Draw AMPS - ALPT 2x2 <sup>1</sup>					
Lumen Package	Wattage	120V	208V	240V	277V
20L	15	0.13	0.07	0.06	0.06
24L	19	0.16	0.09	0.08	0.07
32L	25	0.21	0.12	0.10	0.09
40L	33	0.27	0.16	0.14	0.12
48L	41	0.34	0.20	0.17	0.15
55L	48	0.40	0.23	0.20	0.17
60L	53	0.44	0.25	0.22	0.19

Lumen Maintenance <sup>2</sup>					
Ambient Temperature	Initial <sup>3</sup>	25k hr <sup>3</sup>	50k hr <sup>3</sup>	75k hr <sup>3</sup>	100k hr <sup>3</sup>
32 °F (0 °C)	100%	93%	86%	80%	74%
41 °F (5 °C)	100%	93%	86%	80%	74%
50 °F (10 °C)	100%	93%	86%	80%	74%
59 °F (15 °C)	100%	93%	86%	80%	74%
68 °F (20 °C)	100%	93%	86%	80%	74%
77 °F (25 °C)	100%	93%	86%	80%	74%
86 °F (30 °C)	100%	93%	86%	80%	74%

Electrical Data - Current Draw AMPS - ALPT 1x4 <sup>1</sup>					
Lumen Package	Wattage	120V	208V	240V	277V
20L	15	0.13	0.07	0.06	0.06
24L	19	0.16	0.09	0.08	0.07
32L	25	0.21	0.12	0.10	0.09
40L	33	0.28	0.16	0.14	0.12
48L	41	0.34	0.20	0.17	0.15
55L	49	0.41	0.23	0.20	0.18
60L	53	0.44	0.25	0.22	0.19

Electrical Data - Current Draw AMPS - ALPT 2x4 <sup>1</sup>					
Lumen Package	Wattage	120V	208V	240V	277V
24L	18	0.15	0.09	0.08	0.07
32L	24	0.20	0.11	0.10	0.09
40L	31	0.26	0.15	0.13	0.11
48L	38	0.32	0.18	0.16	0.14
60L	48	0.40	0.23	0.20	0.17
72L	54	0.45	0.26	0.23	0.20
80L	61	0.50	0.29	0.25	0.22
95L	74	0.61	0.35	0.31	0.27

<sup>1</sup> Electrical data at 25C (77F). Actual wattage may differ by +/-10%.

<sup>2</sup> Lumen maintenance values at 40C are calculated per TM-21 based on LM-80 data and in-situ testing.

<sup>3</sup> In accordance with IESNA TM-21-11, Projected Values represent interpolated value based on time durations that are within six times the IESNA LM-80-08 total test duration for the device under testing.\*

# Advantage Low Profile Troffer (ALPT)

Type : \_\_\_\_\_

 Have questions? Call us at (800) 436-7800

## PHOTOMETRICS

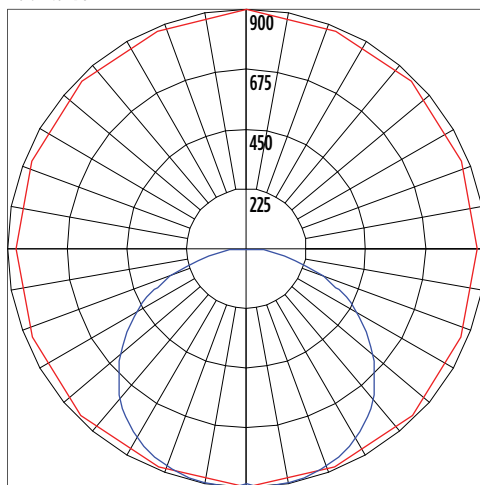
Luminaire photometry has been conducted by a NVLAP accredited testing laboratory in accordance with IESNA LM-79-08. As specified by IESNA LM-79-08 the entire luminaire is tested as the source resulting in a luminaire efficiency of 100%.

See the individual product page on <https://www.lsicorp.com/> for detailed photometric data.

### ALPT14-32L-940-CS

Zonal Lumen Summary		
Zone	Lumens	% Luminaire
0-20	332.21	10.5
0-30	724.03	22.8
0-40	1222.31	38.6
0-60	2320.75	73.2
0-80	3090.03	97.5
0-90	3169.82	100
10-90	3085.49	97.3
20-40	890.11	28.1
20-50	1442.58	45.5
40-70	1567.12	49.4
60-80	769.28	24.3
70-80	300.6	9.5
80-90	79.78	2.5
90-110	0	0
90-120	0	0
90-130	0	0
90-150	0	0
90-180	0	0
110-180	0	0
0-180	3169.82	100

Polar Curve

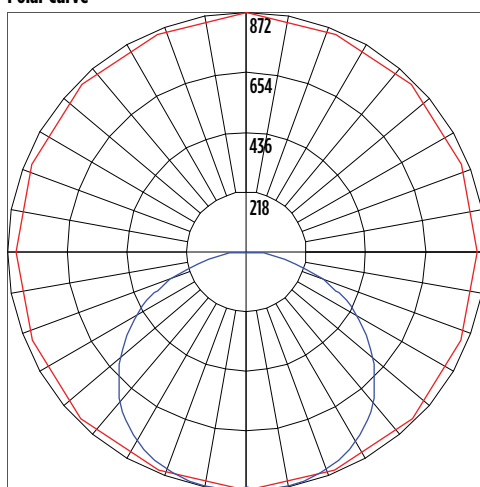


■ Vertical Plane ■ Horizontal Cone

### ALPT22-32L-940-CS

Zonal Lumen Summary		
Zone	Lumens	% Luminaire
0-20	323.69	10.3
0-30	706.22	22.5
0-40	1191.43	38
0-60	2247	71.6
0-80	3025.23	96.5
0-90	3136.36	100
10-90	3054.3	97.4
20-40	867.75	27.7
20-50	1401.46	44.7
40-70	1507.32	48.1
60-80	778.23	24.8
70-80	326.49	10.4
80-90	111.13	3.5
90-110	0	0
90-120	0	0
90-130	0	0
90-150	0	0
90-180	0	0
110-180	0	0
0-180	3136.36	100

Polar Curve



■ Vertical Plane ■ Horizontal Cone

# Advantage Low Profile Troffer (ALPT)

Type: \_\_\_\_\_

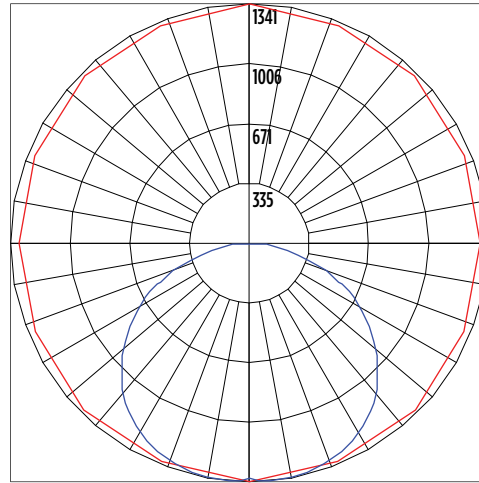
 Have questions? Call us at (800) 436-7800

## PHOTOMETRICS

### ALPT24-48L-940-CS

Zonal Lumen Summary		
Zone	Lumens	% Luminaire
0-20	497.41	10.2
0-30	1084.83	22.1
0-40	1830.92	37.4
0-60	3461.69	70.7
0-80	4690.56	95.7
0-90	4899.65	100
10-90	4773.5	97.4
20-40	1333.51	27.2
20-50	2156.58	44
40-70	2335.98	47.7
60-80	1228.87	25.1
70-80	523.66	10.7
80-90	209.09	4.3
90-110	0	0
90-120	0	0
90-130	0	0
90-150	0	0
90-180	0	0
110-180	0	0
0-180	4899.65	100

Polar Curve



 Vertical Plane  Horizontal Cone

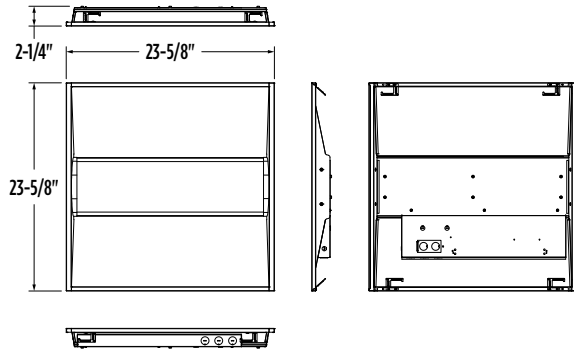
# Advantage Low Profile Troffer (ALPT)

Type: \_\_\_\_\_

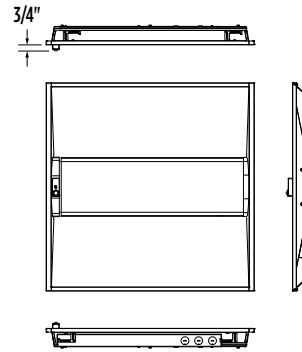
 Have questions? Call us at (800) 436-7800

## DIMENSIONS

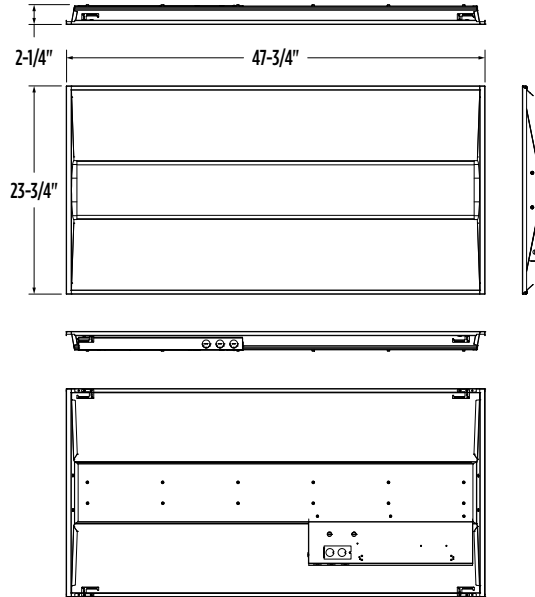
### ALPT22



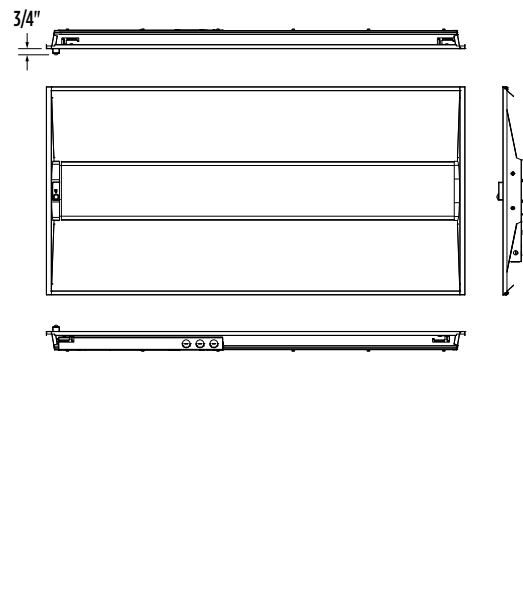
### ALPT22 SENSOR VERSION



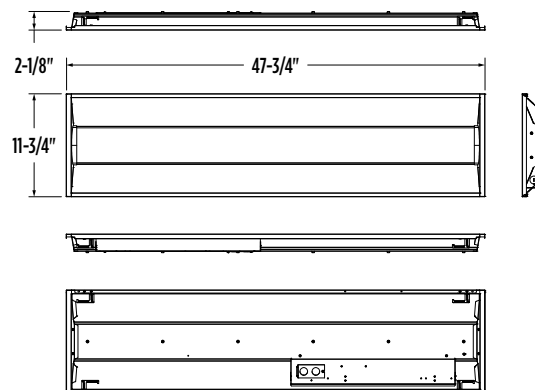
### ALPT24



### ALPT24 SENSOR VERSION



### ALPT14



### ALPT14 SENSOR VERSION

